

ADF Handle Type B
(D36610)

ADF Handle Type B (D36610)

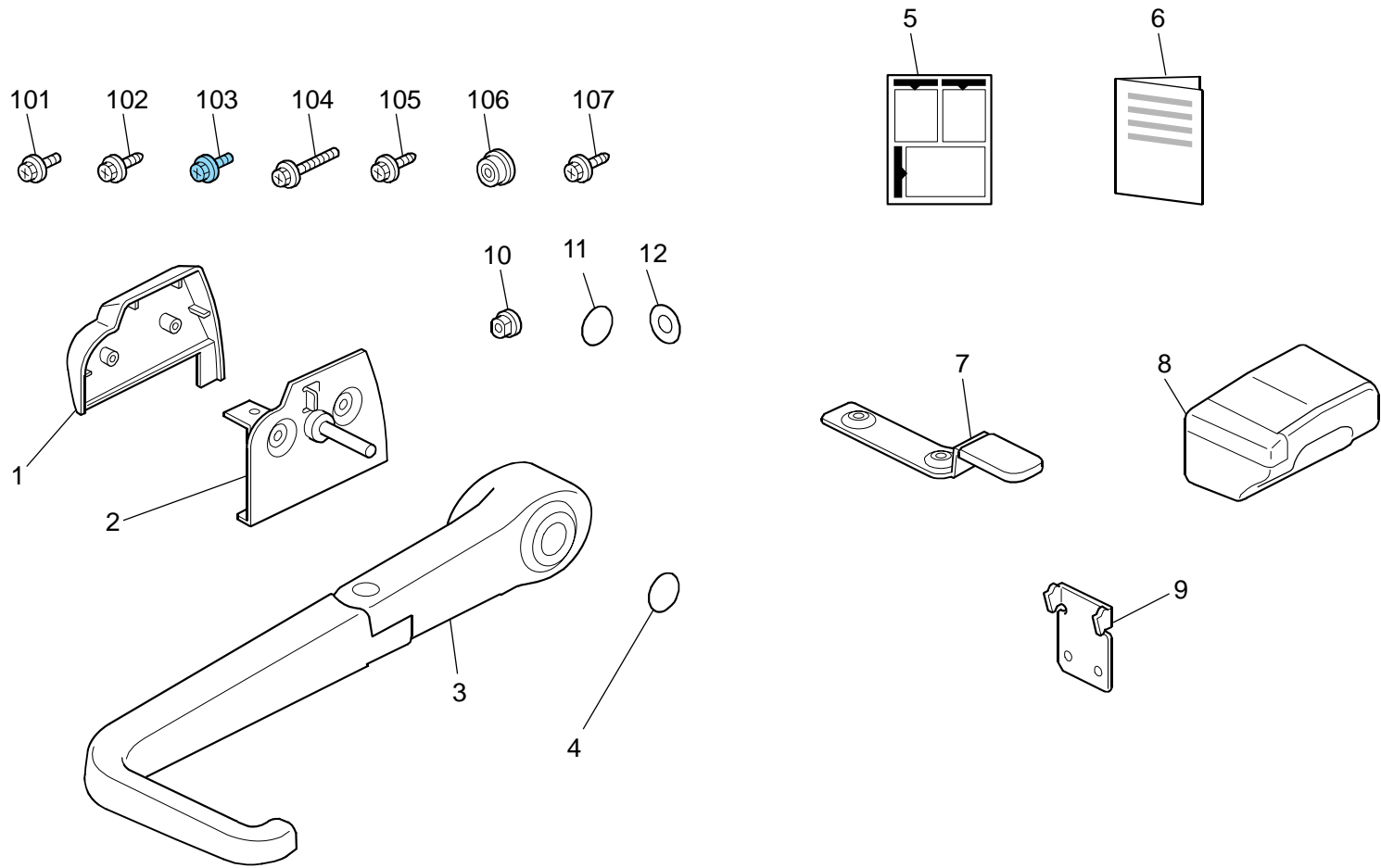
PARTS CATALOG

This catalog gives the numbers and names of parts on this machine.

1.ADF Handle Type B (D36610).....	2
Parts Index	5

February 21, 2011

1.ADF Handle Type B (D36610)



1.ADF Handle Type B (D36610)

Index No.	Part No.	Description	Q'ty Per Assembly
1	D366 7135	Cover:Contact Point:Grip	1
2	D366 7131	Bracket:Contact Point:Grip:Ass'y	1
3	B862 1100	Handle:Ass'y	1
4	G133 1285	Decal:Cover:Left:Guide Plate	1
5	B862 6013	Decal:Handle:Operate	1
6	B862 8551	User's Manual:Handle:B862-17	1
7	D366 7121	Bracket:Handle:Rise	1
8	B862 1300	Holder:Ass'y	1
9	B789 1262	Stopper:Hinge	1
10	5053 0447	Bushing - 6mm	1
11	B862 6012	Decal:Contact Point	1
12	AA13 2208	Spacer - M6	1

Index No.	Part No.	Description	Q'ty Per Assembly
101	0360 3008N	Screw:M3X8	
102	0450 3012N	Tapping Screw:3x12	
103	0452 3008N	Tapping Screw - M3x8	
104	0450 3012N	Tapping Screw:3x12	
105	0450 4008N	Tapping Screw - M4x8	
106	0741 3906	Bushing - M6	
107	0454 3006Q	Tapping Screw - M3x6	

Parts Index

Parts Index

Part No.	Description	Page and Index No.
B789 1262	Stopper:Hinge	3 - 9
B862 1100	Handle:Ass'y	3 - 3
B862 1300	Holder:Ass'y	3 - 8
B862 6012	Decal:Contact Point	3 - 11
B862 6013	Decal:Handle:Operate	3 - 5
B862 8551	User's Manual:Handle:B862-17	3 - 6
D366 7121	Bracket:Handle:Rise	3 - 7
D366 7131	Bracket:Contact Point:Grip:Ass'y	3 - 2
D366 7135	Cover:Contact Point:Grip	3 - 1
G133 1285	Decal:Cover:Left:Guide Plate	3 - 4

Part No.	Description	Page and Index No.
AA13 2208	Spacer - M6	3 - 12
0360 3008N	Screw:M3X8	3 - 101
0450 3012N	Tapping Screw:3x12	3 - 102
0450 3012N	Tapping Screw:3x12	3 - 104
0450 4008N	Tapping Screw - M4x8	3 - 105
0452 3008N	Tapping Screw - M3x8	3 - 103
0741 3906	Bushing - M6	3 - 106
0454 3006Q	Tapping Screw - M3x6	3 - 107
5053 0447	Bushing - 6mm	3 - 10