

Bridge Unit BU3030 (D386)

Bridge Unit BU3030 (D386)

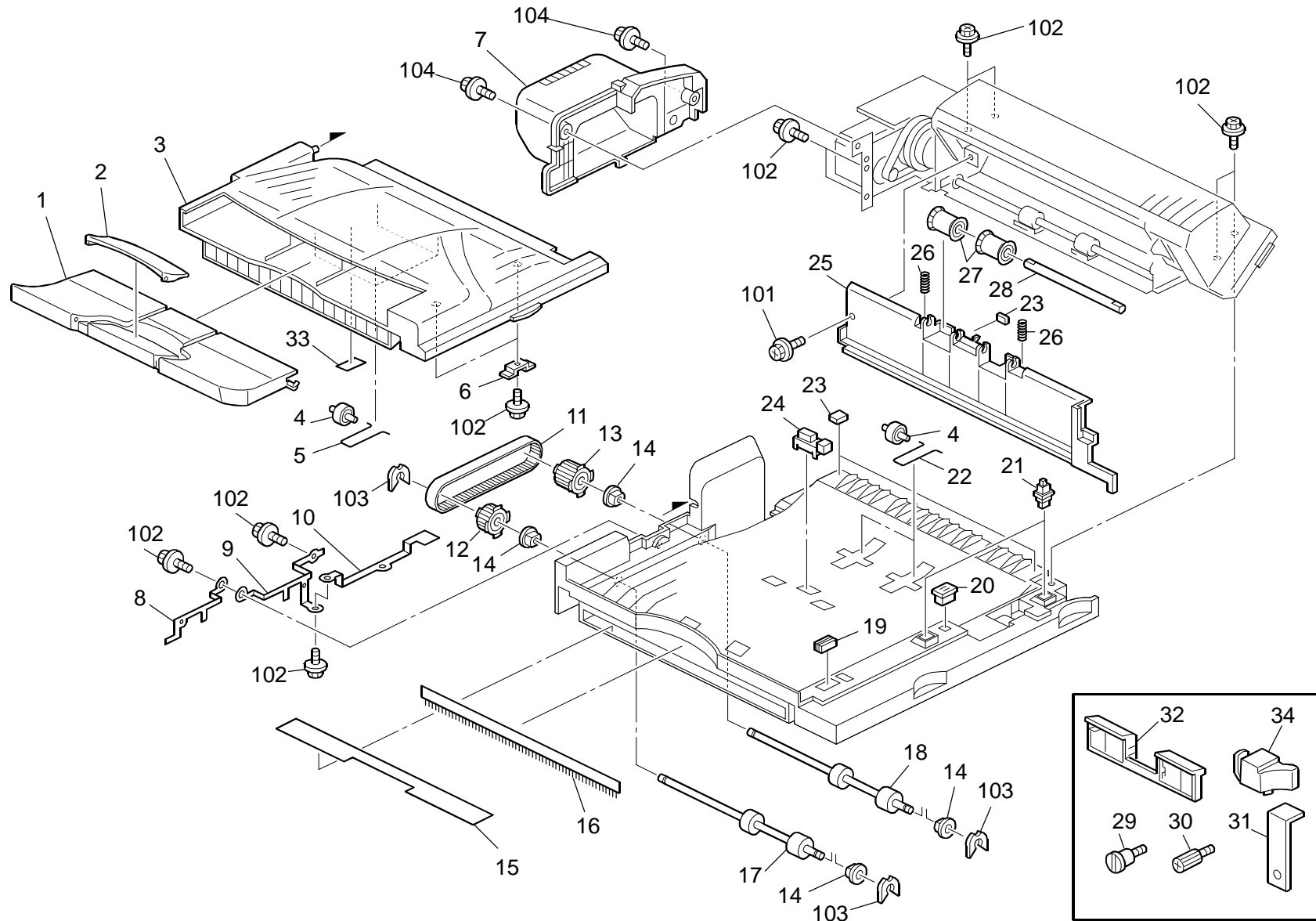
PARTS CATALOG

This catalog gives the numbers and names of parts on this machine.

1.Bridge Unit 1 (D386)	2
2.Bridge Unit 2 (D386)	4
Parts Index.....	8

September 16, 2008

1. Bridge Unit 1 (D386)

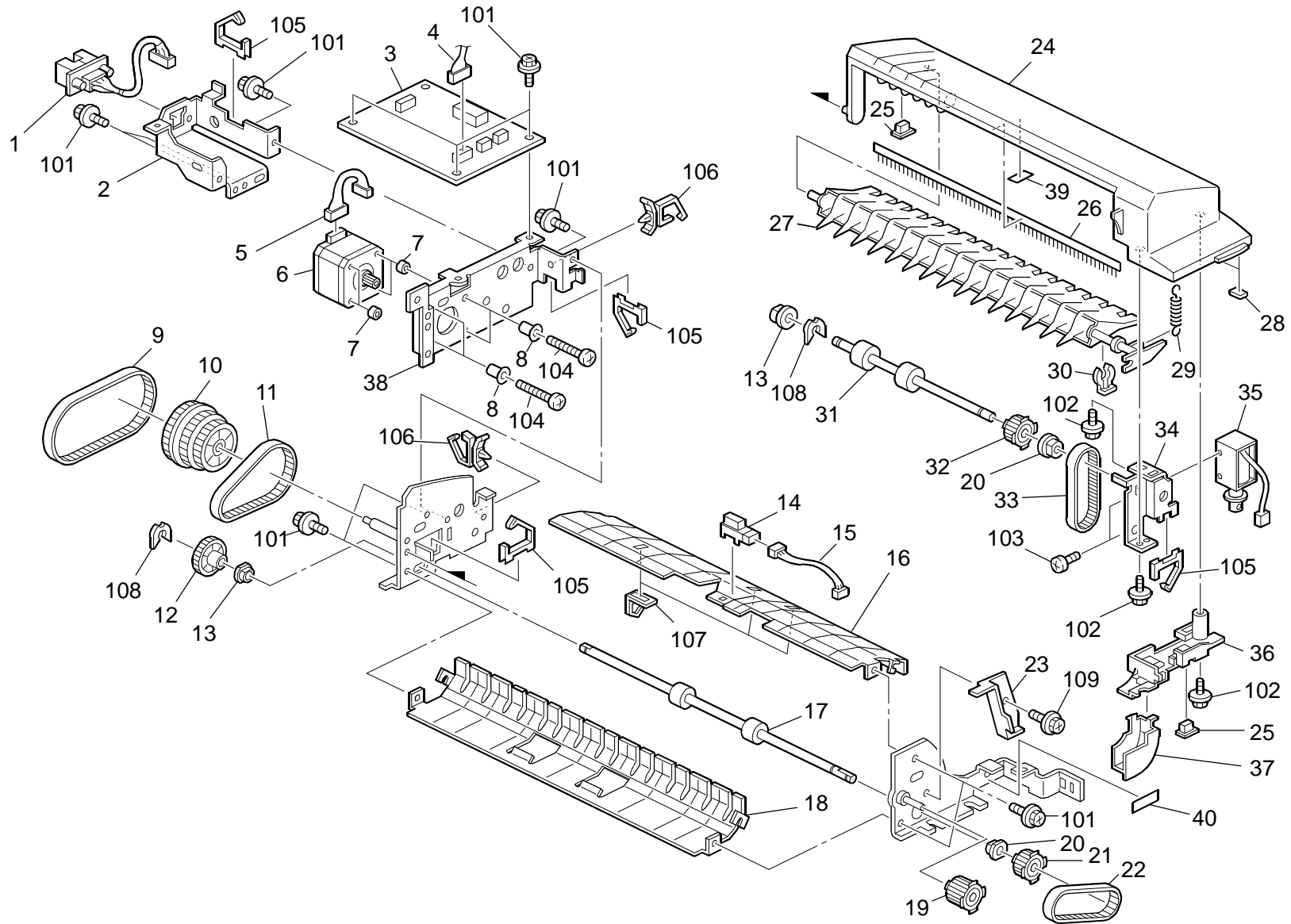


1.Bridge Unit 1 (D386)

Index No.	Part No.	Description	Q'ty Per Assembly
1	B227 4652	Extension Tray	1
2	B227 4655	Turn Extension Tray	1
3	B227 4651	Exit Tray	1
4	AF04 0621	Driven Roller - DIA14	6
5	B227 4654	Spring - 1.6N	4
6	B024 1264	Magnet Catch	2
7	B227 4672	Rear Cover	1
8	B227 4646	Ground Plate - Right	1
9	B227 4647	Ground Plate - Left	1
10	B227 4648	Ground Plate - Pap Feed Sensor	1
11	AA04 3598	Timing Belt - 30S2M308	1
12	AB03 0788	Roller Clutch - 32T	1
13	AB03 0632	Transport Roller Pulley	1
14	AA08 2101	Bushing - 6x10x6	4
15	B227 4642	Guide Sheet	1
16	AA12 0129	Discharge Brush	1
17	AF02 0633	Transport Roller - 3rd	1
18	AF02 0632	Transport Roller - 2nd	1
19	AG07 0514	Magnet Catch	1
20	AA02 1031	Magnetic Catch	1
21	AW50 0023	Push Switch	2
22	B227 4644	Spring - 0.8N	2
23	AA16 1166	Damping Insulation:Gate Pawl:Frame	3
24	AW01 0107	Paper Feed Sensor	1
25	B227 4671	Exit Cover - Lower	1
26	AA06 3596	Compression Spring - Exit Roller	2
27	B227 4673	Exit Roller	2
28	AA14 0875	Driven Shaft	1
29	B227 4633	Knob Screw - M3	1
30	B227 4632	Knob Screw - M3	1
31	B227 4645	Coupling Bracket	1
32	D386 4674	Entranceguide	2
33	C408 6691	Shield	1
34	M321 4743	Cover:Frame	1

Index No.	Part No.	Description	Q'ty Per Assembly
101	0451 3006N	Tapping Screw - 3x6	
102	0450 3008N	Tapping Screw - M3x8	
103	0805 0089	Retaining Ring - M4	
104	0451 3008N	Tapping Screw - M3x8	

2.Bridge Unit 2 (D386)



2.Bridge Unit 2 (D386)

Index No.	Part No.	Description	Q'ty Per Assembly
1	B227 5131	Harness - IOB	1
2	B227 4691	PCB Bracket	1
3	B227 5150	PCB BRB	1
4	B227 5132	Harness - Main BRB	1
5	B227 5133	Harness - Stepper Motor	1
6	B227 4681	Stepper Motor DC4.29V	1
7	AA10 1021	Rubber Bushing - 6 45HS	4
8	B044 1825	Collar	4
9	AA04 3597	Timing Belt - 30S2M336	1
10	AB03 3096	Timing Pulley	1
11	AA04 3596	Timing Belt - 50S2M210	1
12	AB01 1265	Gear - 33Z	1
13	AA08 2101	Bushing - 6x10x6	2
14	AW01 0107	Paper Feed Sensor	1
15	B227 5134	Harness - Paper Feed Sensor	1
16	B227 4626	Guide Plate - Middle	1
17	AF02 0631	Transport Roller - 1nd	1
18	B227 4627	Guide Plate - Lower	1
19	AB03 0790	Pulley - 24T	1
20	AA08 2063	Bushing - 8x10x5	2
21	AB03 0789	Timing Pulley - 24T	1
22	AA04 3594	Timing Belt - 30S2M100	1
23	B227 4668	Inner Cover - Drive	1
24	B227 4661	Cover - Right	1
25	AA02 1030	Magnet Catch	2
26	B227 4667	Discharge Brush - Exit	1
27	AF02 5043	Gate Pawl	1
28	AA16 1166	Damping Insulation:Gate Pawl:Frame	2
29	AA06 0994	Tension Spring - 1.6N	1
30	5447 2681	Snap Ring	1
31	AF02 0634	Exit Roller	1
32	AB03 0791	Timing Pulley - 24T	1
33	AA04 3595	Timing Belt - 30S2M140	1
34	B227 4665	Solenoid Bracket	1
35	B227 4663	DC Solenoid 24V	1

Index No.	Part No.	Description	Q'ty Per Assembly
36	B227 4662	Inner Cover - Right	1
37	B227 4666	Harness Cover	1
38	B227 4682	Stepper Motor Bracket	1
39	C408 6691	Shield	1
40	AA00 0301	Decal Warning	1
101	0451 3006N	Tapping Screw - 3x6	
102	0450 3008N	Tapping Screw - M3x8	
103	0313 0040N	Screw - M3x4	
104	0353 0100N	Screw - M3x10	
105	1105 0522	Edge Saddle - LES0510	
106	1105 0516	Clamp	
107	1105 0568	Clamp:LWSS-0504	
108	0805 0089	Retaining Ring - M4	
109	0360 3008N	Screw:M3x8	

Parts Index

Parts Index

Part No.	Description	Page and Index No.
D386 4674	Entranceguide	3 - 32

Part No.	Description	Page and Index No.
B024 1264	Magnet Catch	3 - 6
B044 1825	Collar	5 - 8
B227 4626	Guide Plate - Middle	5 - 16
B227 4627	Guide Plate - Lower	5 - 18
B227 4632	Knob Screw - M3	3 - 30
B227 4633	Knob Screw - M3	3 - 29
B227 4642	Guide Sheet	3 - 15
B227 4644	Spring - 0.8N	3 - 22
B227 4645	Coupling Bracket	3 - 31
B227 4646	Ground Plate - Right	3 - 8
B227 4647	Ground Plate - Left	3 - 9
B227 4648	Ground Plate - Pap Feed Sensor	3 - 10
B227 4651	Exit Tray	3 - 3
B227 4652	Extension Tray	3 - 1
B227 4654	Spring - 1.6N	3 - 5
B227 4655	Turn Extension Tray	3 - 2
B227 4661	Cover - Right	5 - 24
B227 4662	Inner Cover - Right	5 - 36
B227 4663	DC Solenoid 24V	5 - 35
B227 4665	Solenoid Bracket	5 - 34
B227 4666	Harness Cover	5 - 37
B227 4667	Discharge Brush - Exit	5 - 26
B227 4668	Inner Cover - Drive	5 - 23
B227 4671	Exit Cover - Lower	3 - 25
B227 4672	Rear Cover	3 - 7
B227 4673	Exit Roller	3 - 27
B227 4681	Stepper Motor DC4.29V	5 - 6
B227 4682	Stepper Motor Bracket	5 - 38
B227 4691	PCB Bracket	5 - 2
B227 5131	Harness - IOB	5 - 1
B227 5132	Harness - Main BRB	5 - 4
B227 5133	Harness - Stepper Motor	5 - 5
B227 5134	Harness - Paper Feed Sensor	5 - 15
B227 5150	PCB BRB	5 - 3
C408 6691	Shield	3 - 33

Part No.	Description	Page and Index No.
C408 6691	Shield	5 - 39

Part No.	Description	Page and Index No.
M321 4743	Cover:Frame	3 - 34

Part No.	Description	Page and Index No.
AA00 0301	Decal Warning	5 - 40
AA02 1030	Magnet Catch	5 - 25
AA02 1031	Magnetic Catch	3 - 20
AA04 3594	Timing Belt - 30S2M100	5 - 22
AA04 3595	Timing Belt - 30S2M140	5 - 33
AA04 3596	Timing Belt - 50S2M210	5 - 11
AA04 3597	Timing Belt - 30S2M336	5 - 9
AA04 3598	Timing Belt - 30S2M308	3 - 11
AA06 0994	Tension Spring - 1.6N	5 - 29
AA06 3596	Compression Spring - Exit Roller	3 - 26
AA08 2063	Bushing - 8x10x5	5 - 20
AA08 2101	Bushing - 6x10x6	5 - 13
AA08 2101	Bushing - 6x10x6	3 - 14
AA10 1021	Rubber Bushing - 6 45HS	5 - 7
AA12 0129	Discharge Brush	3 - 16
AA14 0875	Driven Shaft	3 - 28
AA16 1166	Damping Insulation:Gate Pawl:Frame	3 - 23
AA16 1166	Damping Insulation:Gate Pawl:Frame	5 - 28
AB01 1265	Gear - 33Z	5 - 12
AB03 0632	Transport Roller Pulley	3 - 13
AB03 0788	Roller Clutch - 32T	3 - 12
AB03 0789	Timing Pulley - 24T	5 - 21
AB03 0790	Pulley - 24T	5 - 19
AB03 0791	Timing Pulley - 24T	5 - 32
AB03 3096	Timing Pulley	5 - 10
AF02 0631	Transport Roller - 1nd	5 - 17
AF02 0632	Transport Roller - 2nd	3 - 18
AF02 0633	Transport Roller - 3rd	3 - 17
AF02 0634	Exit Roller	5 - 31
AF02 5043	Gate Pawl	5 - 27
AF04 0621	Driven Roller - DIA14	3 - 4
AG07 0514	Magnet Catch	3 - 19
AW01 0107	Paper Feed Sensor	5 - 14
AW01 0107	Paper Feed Sensor	3 - 24
AW50 0023	Push Switch	3 - 21

Part No.	Description	Page and Index No.
0313 0040N	Screw - M3x4	5 - 103
0353 0100N	Screw - M3x10	5 - 104
0360 3008N	Screw:M3x8	5 - 109
0450 3008N	Tapping Screw - M3x8	5 - 102
0450 3008N	Tapping Screw - M3x8	3 - 102
0451 3006N	Tapping Screw - 3x6	5 - 101
0451 3006N	Tapping Screw - 3x6	3 - 101
0451 3008N	Tapping Screw - M3x8	3 - 104
0805 0089	Retaining Ring - M4	3 - 103
0805 0089	Retaining Ring - M4	5 - 108
1105 0516	Clamp	5 - 106
1105 0522	Edge Saddle - LES0510	5 - 105
1105 0568	Clamp:LWSS-0504	5 - 107

Part No.	Description	Page and Index No.
5447 2681	Snap Ring	5 - 30

Part No.	Description	Page and Index No.