

Key Counter/Optional Counter Interface (B452/B870)

Key Counter/Optional Counter Interface (B452/B870)

PARTS CATALOG

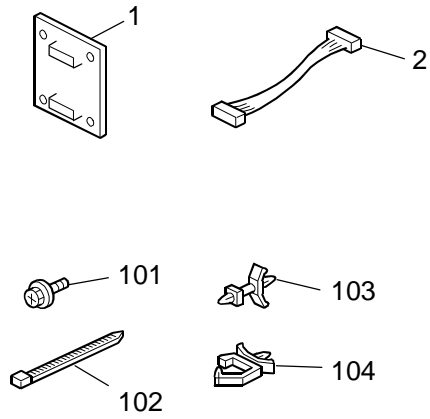
This catalog gives the numbers and names of parts on this machine.

1.Key Counter/Optional Counter Interface (B452/B870)	2
Parts Index.....	6

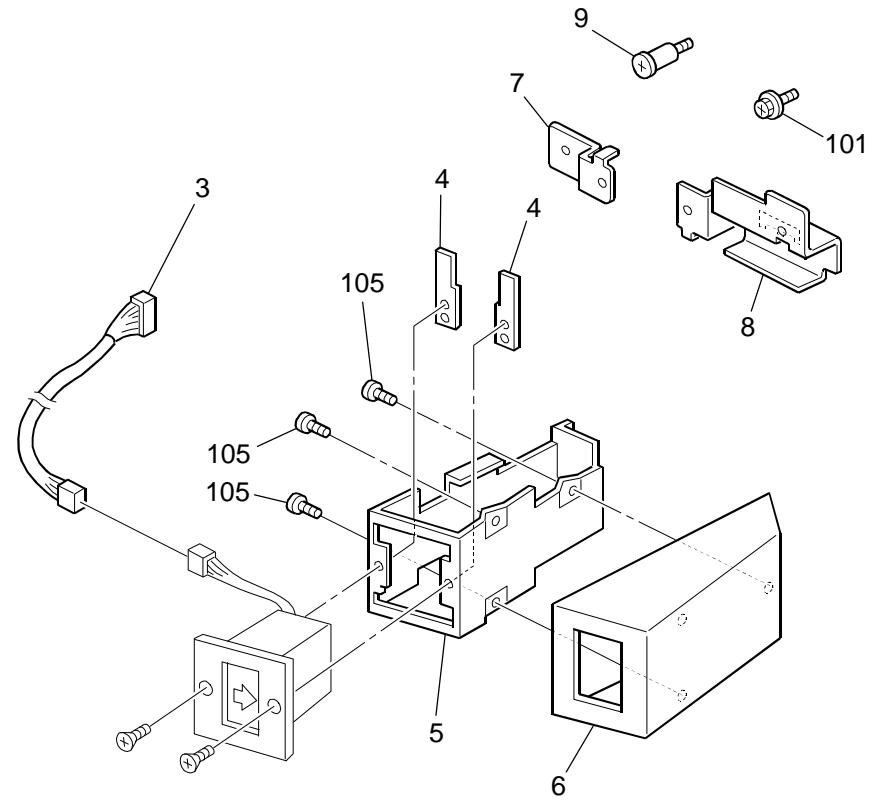
March 5, 2009

1.Key Counter/Optional Counter Interface (B452/B870)

Optional Counter Interface Unit Type A (B870-11)



Key Counter Bracket Type1027 (B452-57)



1.Key Counter/Optional Counter Interface (B452/B870)

Index No.	Part No.	Description	Q'ty Per Assembly
1	B870 5102	PCB:MKB:AP-C1	1
2	B870 5510	Harness:IOB:MKB	1
3	B452 5100	Key Counter Harness	1
4	B452 1063	Plate Nut:Key Counter Holder	2
5	B452 1055	Bracket:Key Counter Holder:Ass'y	1
6	B452 1260	Key Counter Holder Cover	1
7	B452 5869	Bracket:Key Counter Holder:Front	1
8	B452 5868	Bracket:Key Counter Holder:Rear	1
9	AA14 3710	Stepped Screw - M4	1

Index No.	Part No.	Description	Q'ty Per Assembly
101	0451 3006N	Tapping Screw - 3x6	
102	1105 0046	Harness Band	
103	1105 0195	PCB Stud	
104	1105 0508	Harness Clamp - LWS-0711	
105	0414 0082N	Binding Self-Tapping Screw:M4x8	

Parts Index

Parts Index

Part No.	Description	Page and Index No.
B452 1055	Bracket:Key Counter Holder:Ass'y	3 - 5
B452 1063	Plate Nut:Key Counter Holder	3 - 4
B452 1260	Key Counter Holder Cover	3 - 6
B452 5100	Key Counter Harness	3 - 3
B452 5868	Bracket:Key Counter Holder:Rear	3 - 8
B452 5869	Bracket:Key Counter Holder:Front	3 - 7
B870 5102	PCB:MKB:AP-C1	3 - 1
B870 5510	Harness:IOB:MKB	3 - 2

Part No.	Description	Page and Index No.
AA14 3710	Stepped Screw - M4	3 - 9

Part No.	Description	Page and Index No.
0414 0082N	Binding Self-Tapping Screw:M4x8	3 - 105
0451 3006N	Tapping Screw - 3x6	3 - 101
1105 0046	Harness Band	3 - 102
1105 0195	PCB Stud	3 - 103
1105 0508	Harness Clamp - LWS-0711	3 - 104

Part No.	Description	Page and Index No.
----------	-------------	--------------------