

ARDF DF3030 (D366)

ARDF DF3030 (D366)

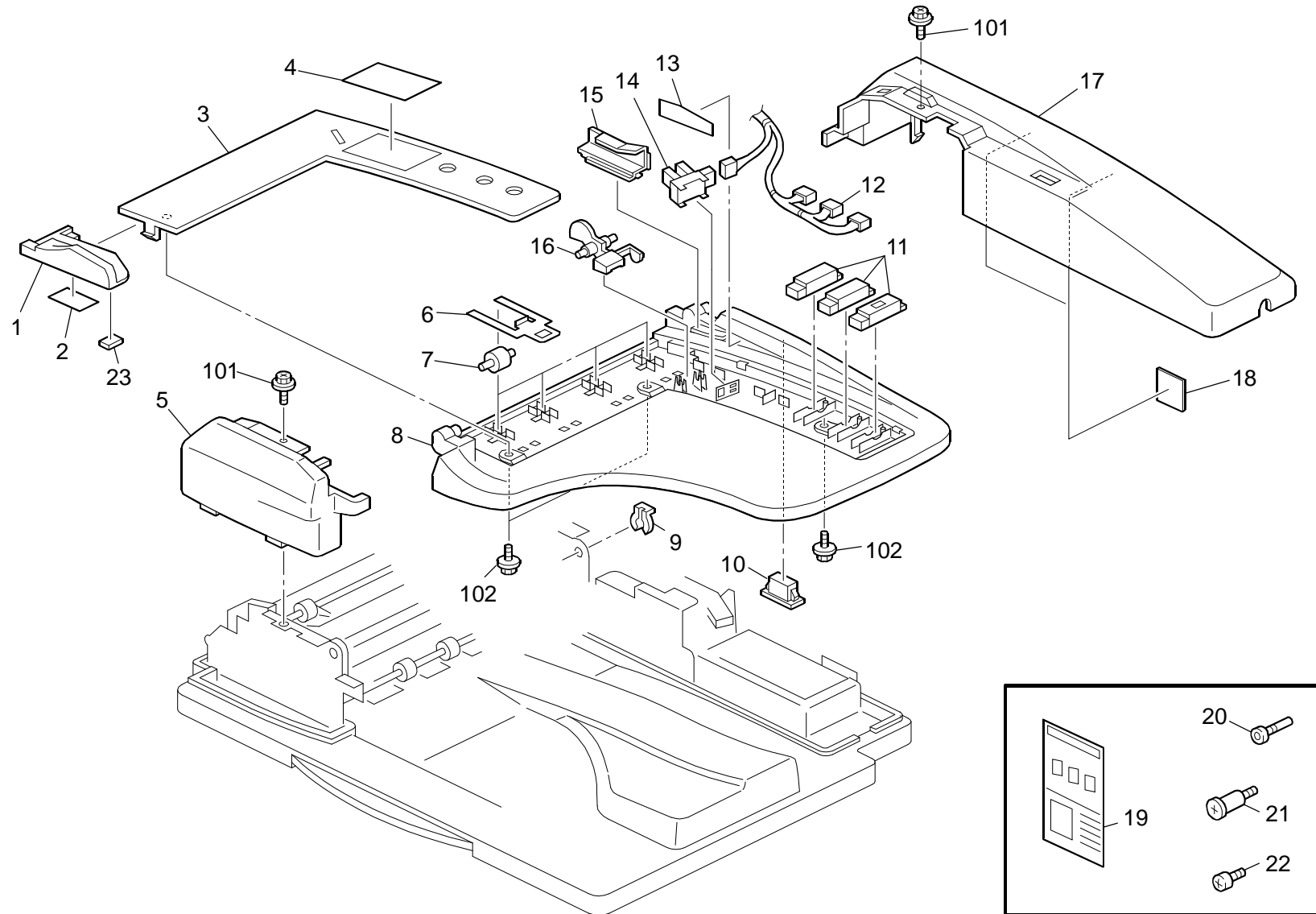
PARTS CATALOG

This catalog gives the numbers and names of parts on this machine.

1.Exterior (D366)	2
2.Original Feed Section 1 (D366)	4
3.Original Feed Section 2 (D366)	6
4.Original Transfer Section (D366).....	8
5.Original Exit (D366)	10
6.Drive Section (D366)	12
7.Frame Section (D366)	14
8.Decals And Documents (D366)	16
Parts Index	20

June ,10 ' 2008

1.Exterior (D366)

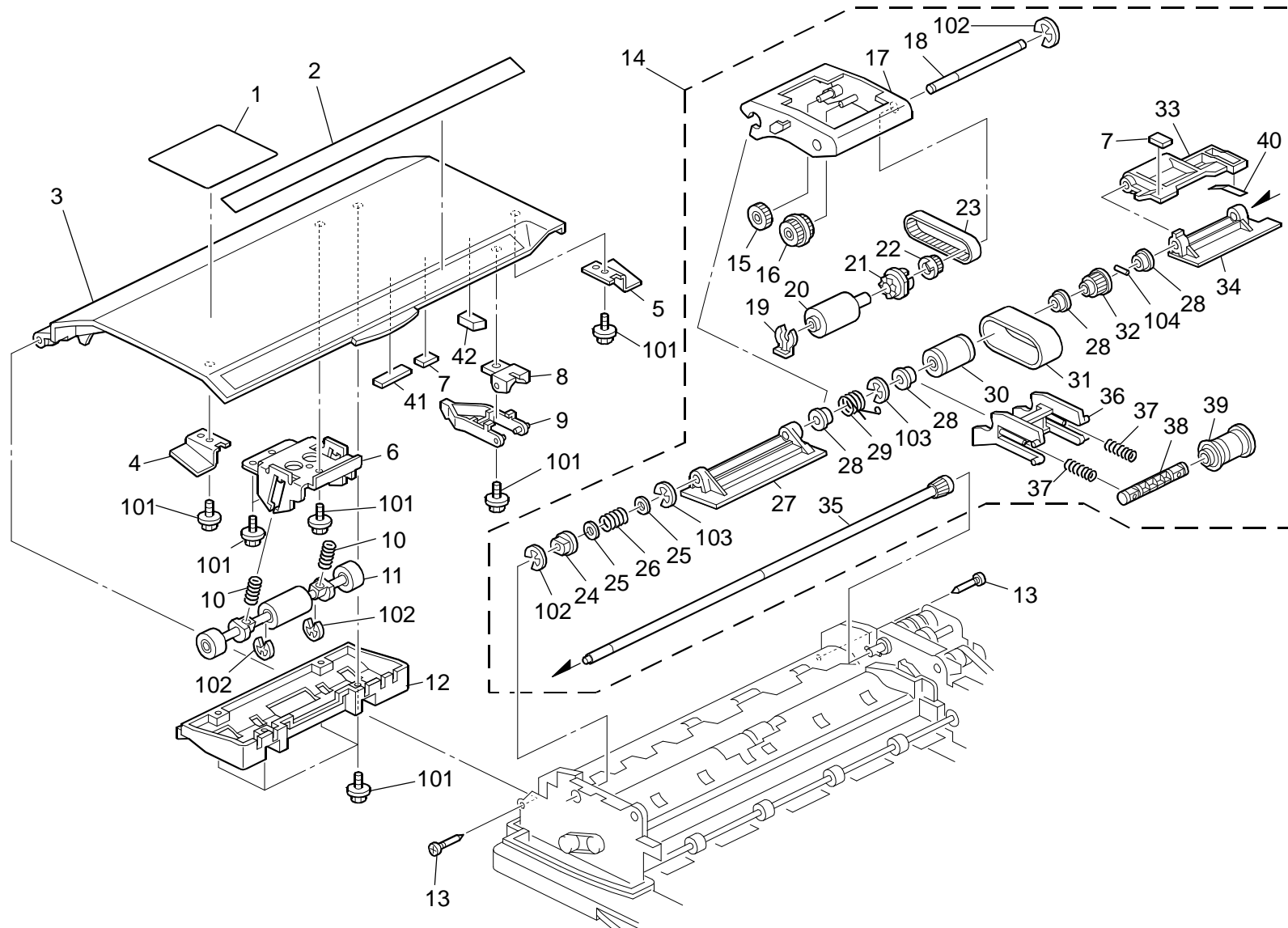


1.Exterior (D366)

Index No.	Part No.	Description	Q'ty Per Assembly
1	B789 4651	Side Fence	1
2	A376 4599	Side Fence Pad	1
3	B789 4641	Cover:Original Table	1
4	B789 6031	Decal - Original Table	1
5	B789 4711	Front Cover	1
6	B789 3146	Spring Plate - Driven Roller	4
7	A858 4671	Roller Driven	4
8	B789 4620	Original Table - Face Front	1
9	5215 2621	Snap Ring - M6	1
10	AG07 0513	Magnet Catch	1
11	AW01 0129	Paper Feed Sensor	3
12	B789 5736	Harness - Original Tray Sensor	1
13	B789 6041	Decal - Side Fence	1
14	AW02 0141	Photointerruptor	1
15	B789 4660	Original Insert Guide	1
16	B789 4671	Original Sensor Feeler	1
17	B789 4762	Rear Cover	1
18	B789 6514	Damping Insulation:Cover:Rear	2
19	B652 2379	Decal:Caution:Original:5-Lang	1
20	H511 5007	Stamp	1
21	A548 6111	Screw:Positioning:Hinge	2
22	A548 6121	Screw - M4	2
23	B387 2316	Cushion:Stopper Pawl	1

Index No.	Part No.	Description	Q'ty Per Assembly
101	0451 3006N	Tapping Screw - 3x6	
102	0450 3008N	Tapping Screw - M3x8	

2.Original Feed Section 1 (D366)

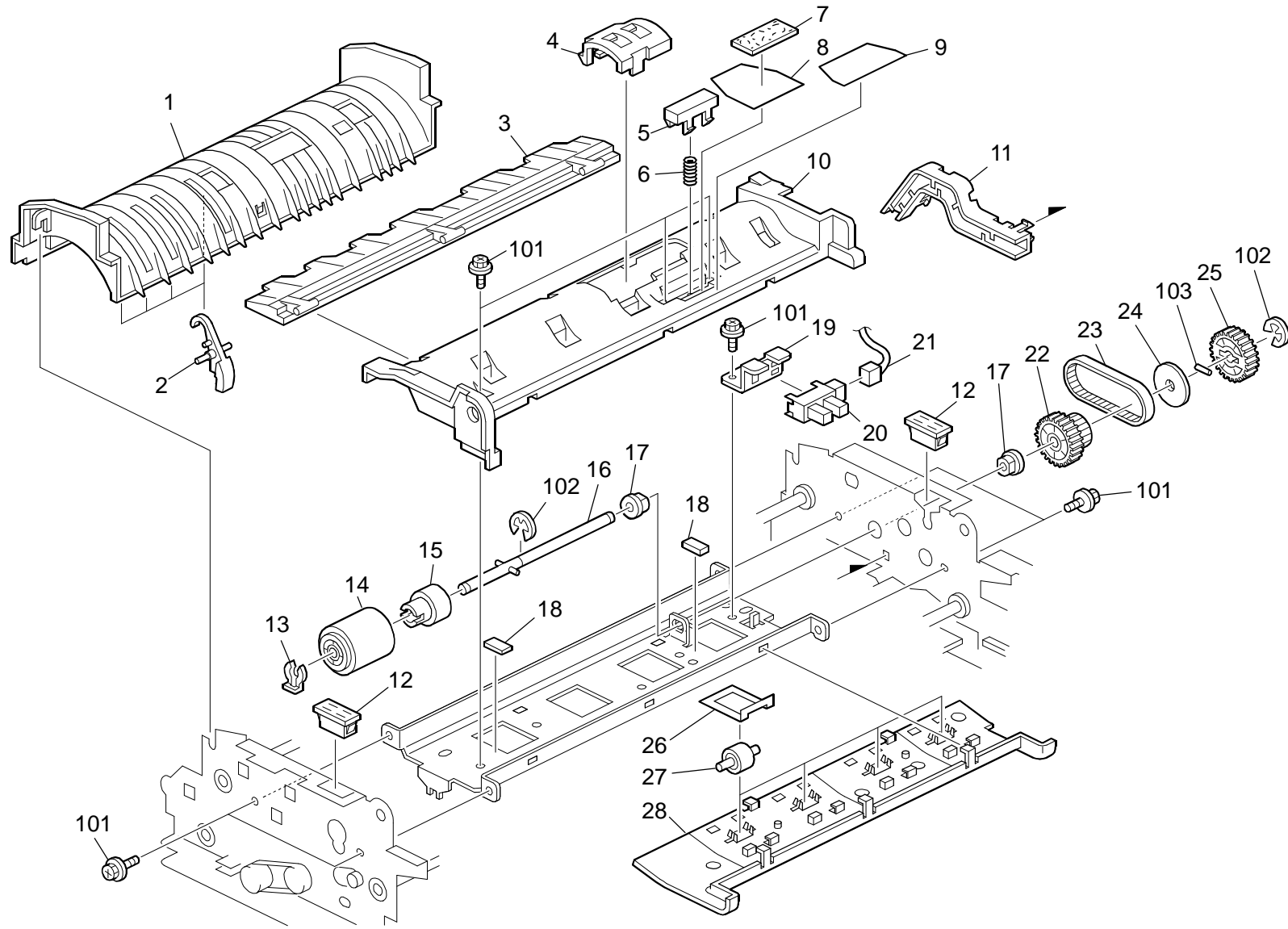


2.Original Feed Section 1 (D366)

Index No.	Part No.	Description	Q'ty Per Assembly
1	B789 6011	Decal - Misfeed Removal	1
2	B652 1807	Decal:Size:Original	1
3	B789 4843	Paper Feed Cover	1
4	B789 4873	Positioning Plate - Front	1
5	B789 4874	Positioning Plate - Rear	1
6	B789 3315	Driven Roller Bracket	1
7	B387 2316	Cushion:Stopper Pawl	2
8	B789 4872	Original Sensor Feeler Holder	1
9	B789 2142	Feeler:Original Sensor	1
10	B789 3331	Compression Spring - Driven Roller	2
11	B789 3326	Driven Roller	1
12	B789 3321	Guide Plate - Driven Roller	1
13	AA14 3788	Pin:Guide Plate:Paper Feed	2
14	B789 2100	Paper Feed Unit	1
15	A859 2167	Gear - 22Z	1
16	G412 3831	Pulley - 22Z	1
17	B789 2151	Pickup Holder	1
18	B789 2161	Pickup Roller Shaft	1
19	5447 2681	Snap Ring	1
20	B387 2161	Pickup Roller	1
21	B789 2163	Collar:Pickup	1
22	B789 2164	Timing Pulley:Pickup:S2M	1
23	AA04 3620	Timing Belt - 40S2M102	1
24	AA08 2104	Bushing - 8x12x7	1
25	AA13 2013	Spacer	2
26	AA06 3435	Compression Spring:Paper Feed:Joint	1
27	B789 2132	Paper Feed Guide - Front	1
28	A628 1225	Bushing - 8MM	4
29	B789 2181	Torsion Spring - Pickup	1
30	B789 2114	Paper Feed Belt Roller	1
31	A806 1295	Feed Belt	1
32	A859 2121	Gear - 22Z	1
33	B789 2134	Pick-Up Arm	1
34	B789 2131	Paper Feed Guide - Rear	1
35	B789 2111	Shaft - Drive Paper Feed	1

Index No.	Part No.	Description	Q'ty Per Assembly
36	B789 2115	Belt Holder	1
37	B386 3320	Spring:Belt:Paper Feed:8N	2
38	A859 2112	Drive Shaft - Paper Feed Belt	1
39	B387 2113	Roller - Paper Feed Belt	1
40	A859 2319	Base Cushion	1
41	D366 4861	Cushion - Paper Feed Cover	1
42	D366 4849	Cushion - Pick-Up Arm	1
101	0450 3008N	Tapping Screw - M3x8	
102	0720 0040E	Retaining Ring - M4	
103	0720 0060E	Retaining Ring - M6	
104	0632 0120G	Parallel Pin - 2x12	

3.Original Feed Section 2 (D366)

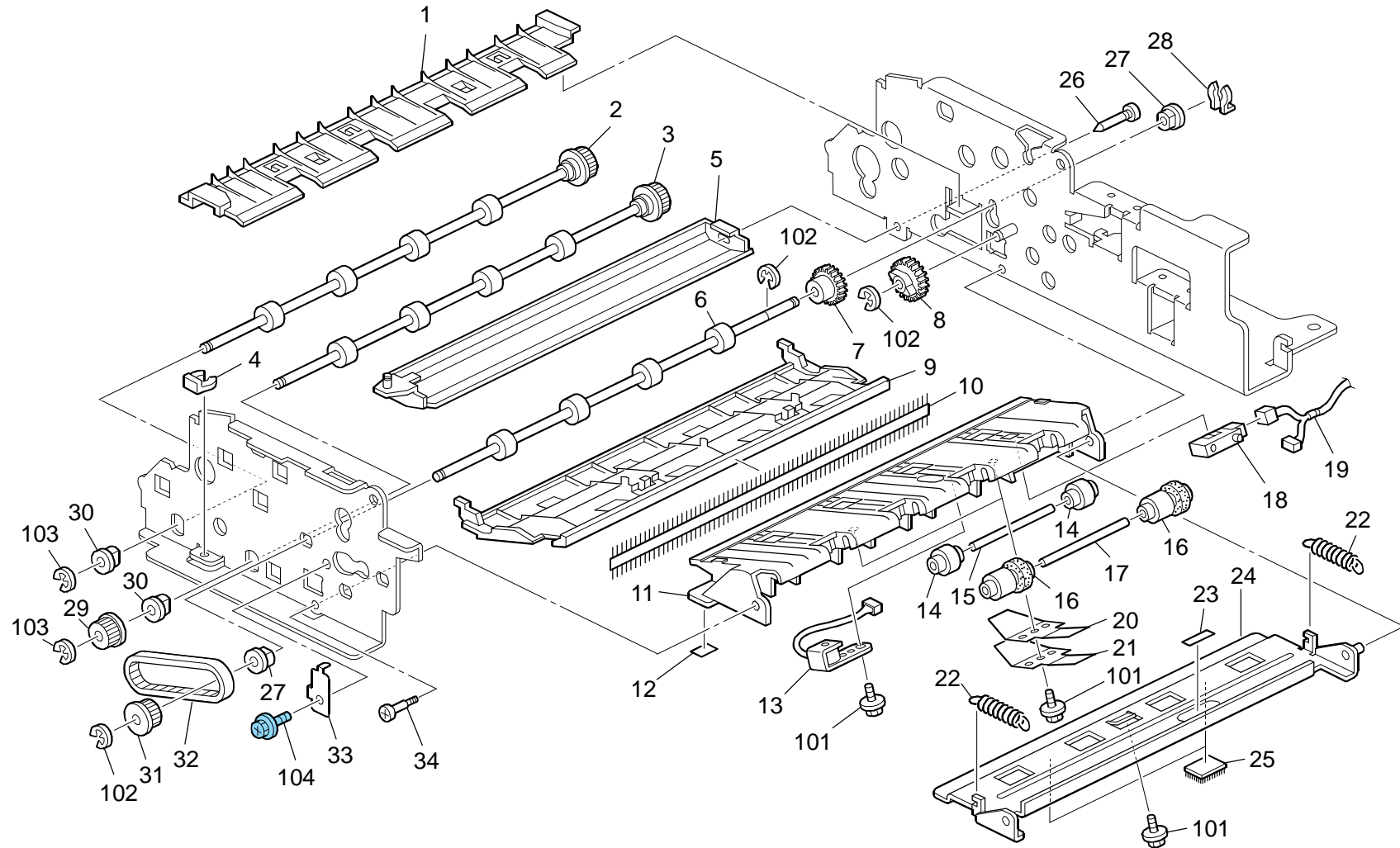


3.Original Feed Section 2 (D366)

Index No.	Part No.	Description	Q'ty Per Assembly
1	B789 3211	Guide Plate:Pull Out	1
2	B789 3213	Feeler - Paper Size Sensor	4
3	B789 2322	Reverse Guide Plate	1
4	B789 2312	Cover - Reverse	1
5	B789 2381	Pickup Receive Plate	1
6	B789 2386	Compression Spring - Pickup	1
7	A859 2352	Pressure Plate Pad	1
8	B789 2372	Guide Pickup	1
9	B789 2371	Pickup Guide	1
10	B789 2311	Guide Plate - Paper Feed	1
11	B789 1336	Sensor Harness Guide	1
12	AG07 0513	Magnet Catch	2
13	5447 2681	Snap Ring	1
14	A859 2241	Reverse Roller	1
15	A294 6700	Torque Limiter - 53MNxM	1
16	B789 2210	Reverse Shaft	1
17	AA08 2101	Bushing - 6x10x6	2
18	B387 2316	Cushion:Stopper Pawl	2
19	B789 1331	Original Sensor Bracket	1
20	AW02 0141	Photointerruptor	1
21	B789 5726	Harness - Set Sensor	1
22	D366 4269	Gear & Pulley - 32Z/30T	1
23	AA04 3623	Timing Belt - B40S2M180	1
24	B789 4257	Pulley Flange	1
25	D366 4266	Gear - 30Z	1
26	B789 2317	Spring Plate - Exit Upper	4
27	A858 4671	Roller Driven	4
28	B789 3226	Guide Plate - Upper Reverse	1

Index No.	Part No.	Description	Q'ty Per Assembly
101	0451 3006N	Tapping Screw - 3x6	
102	0720 0040E	Retaining Ring - M4	
103	0632 0120G	Parallel Pin - 2x12	

4.Original Transfer Section (D366)

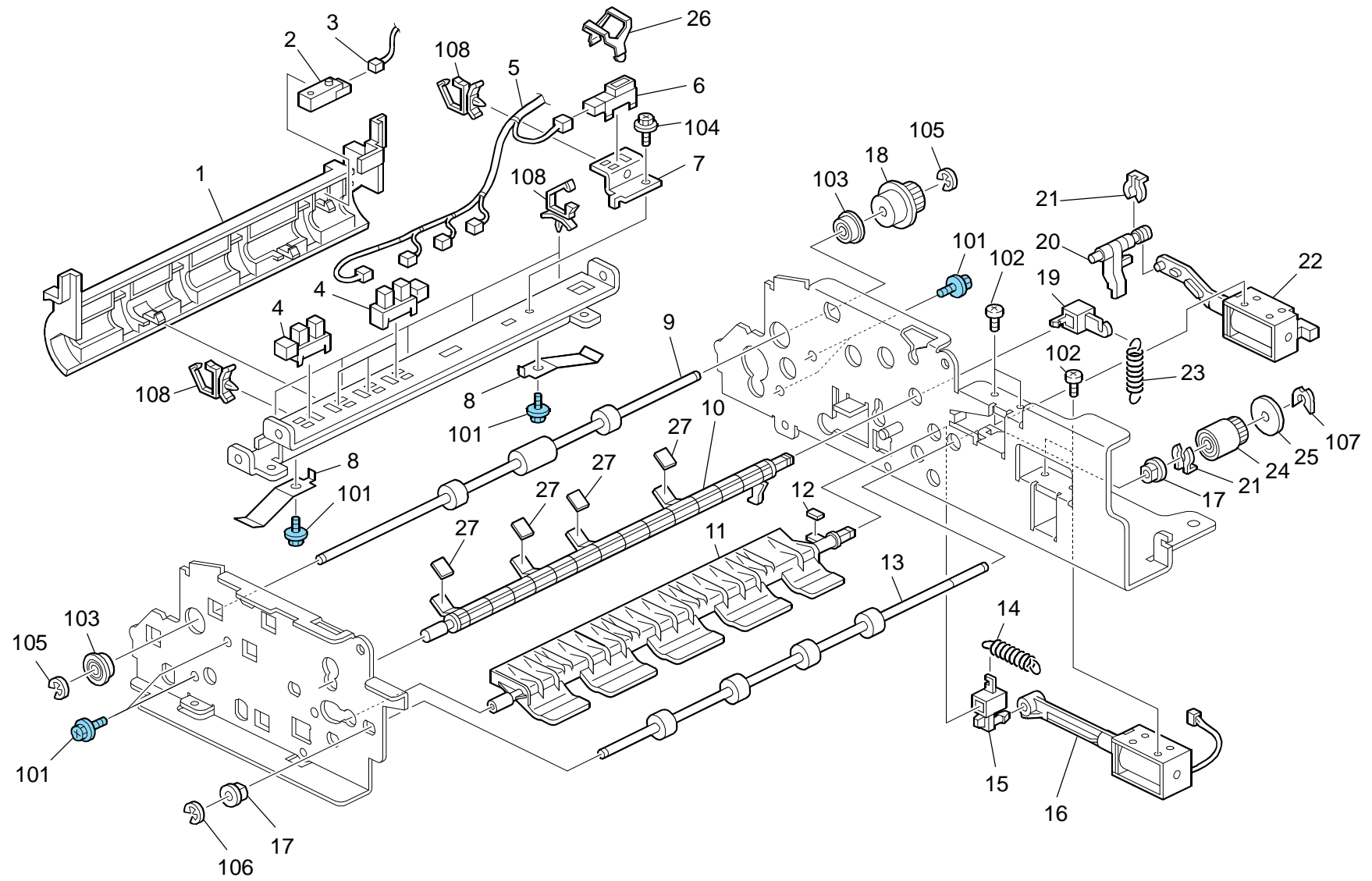


4.Original Transfer Section (D366)

Index No.	Part No.	Description	Q'ty Per Assembly
1	B789 3221	Guide Plate - Lower Reverse	1
2	B789 3110	Entrance Transport Roller	1
3	B789 3120	Exit Transport Roller	1
4	5206 2686	Snap Ring	1
5	B789 3510	Exposure Glass Guide	1
6	D366 3131	Transport Roller - Exit	1
7	B789 3136	Gear - 20Z	1
8	B789 3137	Gear - 24Z	1
9	B789 3220	Exit Guide Plate - Upper	1
10	B789 3223	Discharge Brush - Exit	1
11	B789 3432	Exit Guide Plate	1
12	A054 2977	Decal - Vertical Transport Guide	1
13	B789 5006	DC Solenoid DC24V	1
14	B789 3472	Scanning Driven Roller	4
15	B789 3493	Driven Exit Shaft	2
16	B789 3712	Exit Driven Roller	4
17	B789 3491	Scanning Driven Shaft	2
18	AW01 0109	Photo Refiection Sensor:PS117ED1	1
19	B789 5731	Harness - Paper Feed Sensor	1
20	B789 3417	Spring Plate - Exit Driven	2
21	B789 3418	Spring Plate - Exit Driven Auxiliary	2
22	B789 3426	Tension Spring - Open And Close	2
23	B387 3414	Shield - Transmitted Rubber Stamp	1
24	B789 3431	Cover - Exit Guide Plate	1
25	B351 4322	Tape - Platen Sheet	2
26	AA14 3788	Pin:Guide Plate:Paper Feed	1
27	AA08 2101	Bushing - 6x10x6	2
28	5447 2681	Snap Ring	1
29	B789 3126	Timing Pulley - 25T	1
30	AA08 2104	Bushing - 8x12x7	2
31	B789 3131	Timing Pulley - 20T	1
32	B652 2213	Timing Belt:B40S2M142	1
33	B387 1221	Exit Grounding Plate	1
34	AA14 3379	Stepped Screw	1

Index No.	Part No.	Description	Q'ty Per Assembly
101	0450 3008N	Tapping Screw - M3x8	
102	0720 0040E	Retaining Ring - M4	
103	0720 0060E	Retaining Ring - M6	
104	0454 3006Q	Tapping Screw - M3x6	

5.Original Exit (D366)

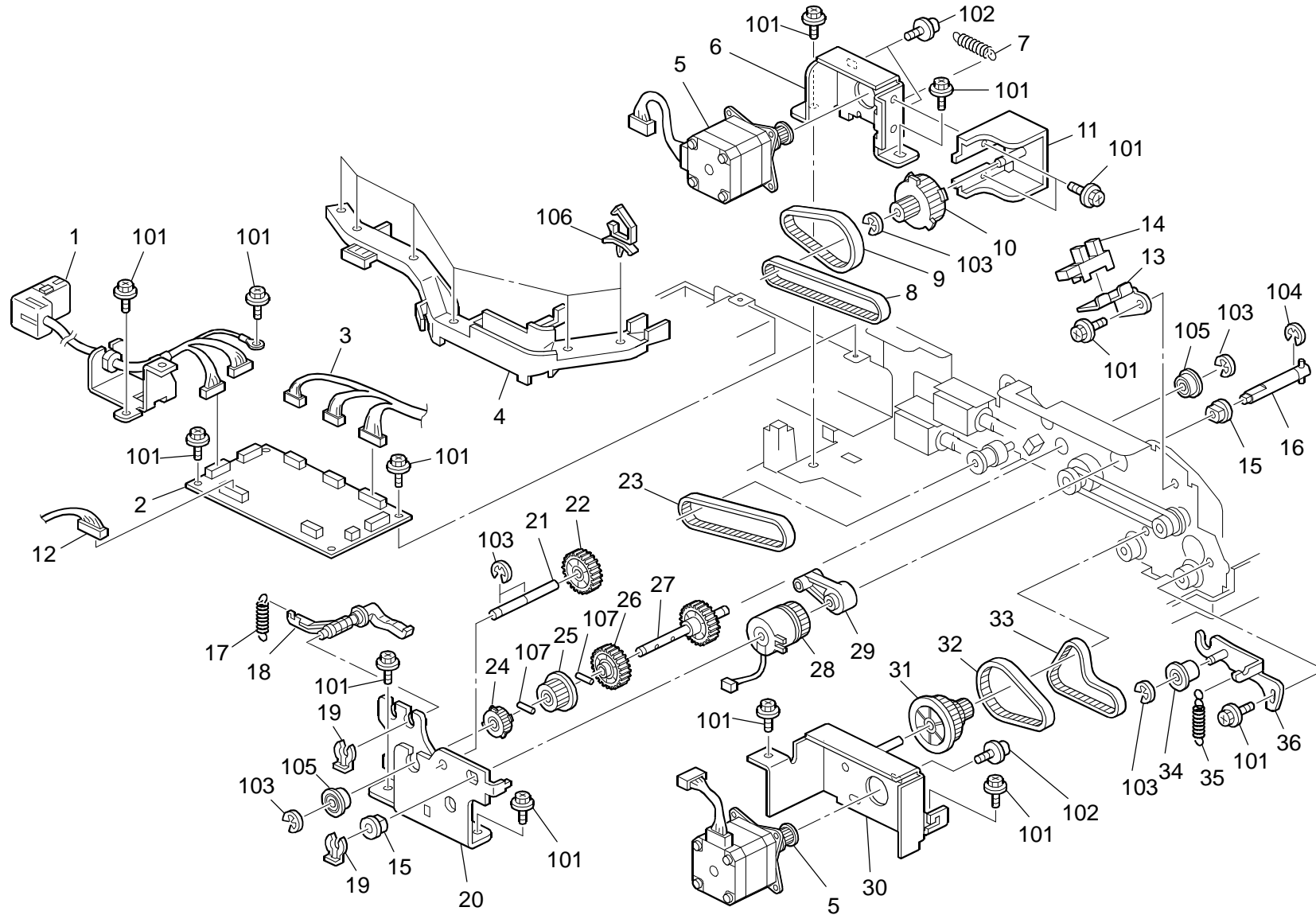


5.Original Exit (D366)

Index No.	Part No.	Description	Q'ty Per Assembly
1	B789 3219	Entrance Guide Plate - Upper	1
2	AW01 0109	Photo Refiection Sensor:PS117ED1	1
3	B789 5727	Harness - Registratation Sensor	1
4	AW02 0141	Photointerruptor	4
5	B789 5716	Harness - Paper Size Sensor	1
6	GW01 0007	Photo Refiection Sensor:Exit	1
7	B789 1342	Bracket:Sensor:Stopper Guide	1
8	B789 1322	Spring Plate - Exposure Glass	2
9	B789 3152	Pull Out Roller	1
10	B789 2411	Original Stopper	1
11	B789 3713	Reverse Gate Pawl	1
12	B789 3718	Gate Pawl Cushion - Small	1
13	D366 3141	Reverse Roller - Drive	1
14	B789 3716	Tension Spring - Gate Pawl	1
15	B789 3721	Lever:Gate Pawl:Reverse	1
16	B789 4411	DC Solenoid DC24V	1
17	AA08 2101	Bushing - 6x10x6	2
18	B789 4261	Timing Pulley - 28T	1
19	B789 2431	Original Stopper Hook	1
20	B789 2365	Release Lever:Stopper	1
21	5447 2681	Snap Ring	2
22	D366 4455	DC Solenoid - Pick-Up	1
23	B789 2436	Tension Spring - Stopper	1
24	D366 4242	Torque Limiter - 24T	1
25	B789 4257	Pulley Flange	1
26	B789 1343	Spring Plate:Sensor:Stopper Guide	1
27	B789 2416	Pad - Original Stopper	4

Index No.	Part No.	Description	Q'ty Per Assembly
101	0454 3006Q	Tapping Screw - M3x6	
102	0353 0040N	Screw - M3x4	
103	0742 3808	Ball Bearing - 8x16x5	
104	0451 3006N	Tapping Screw - 3x6	
105	0720 0060E	Retaining Ring - M6	
106	0720 0040E	Retaining Ring - M4	
107	0805 0089	Retaining Ring - M4	
108	1105 0619	Clamp:LBWS-0605S-V0	

6. Drive Section (D366)

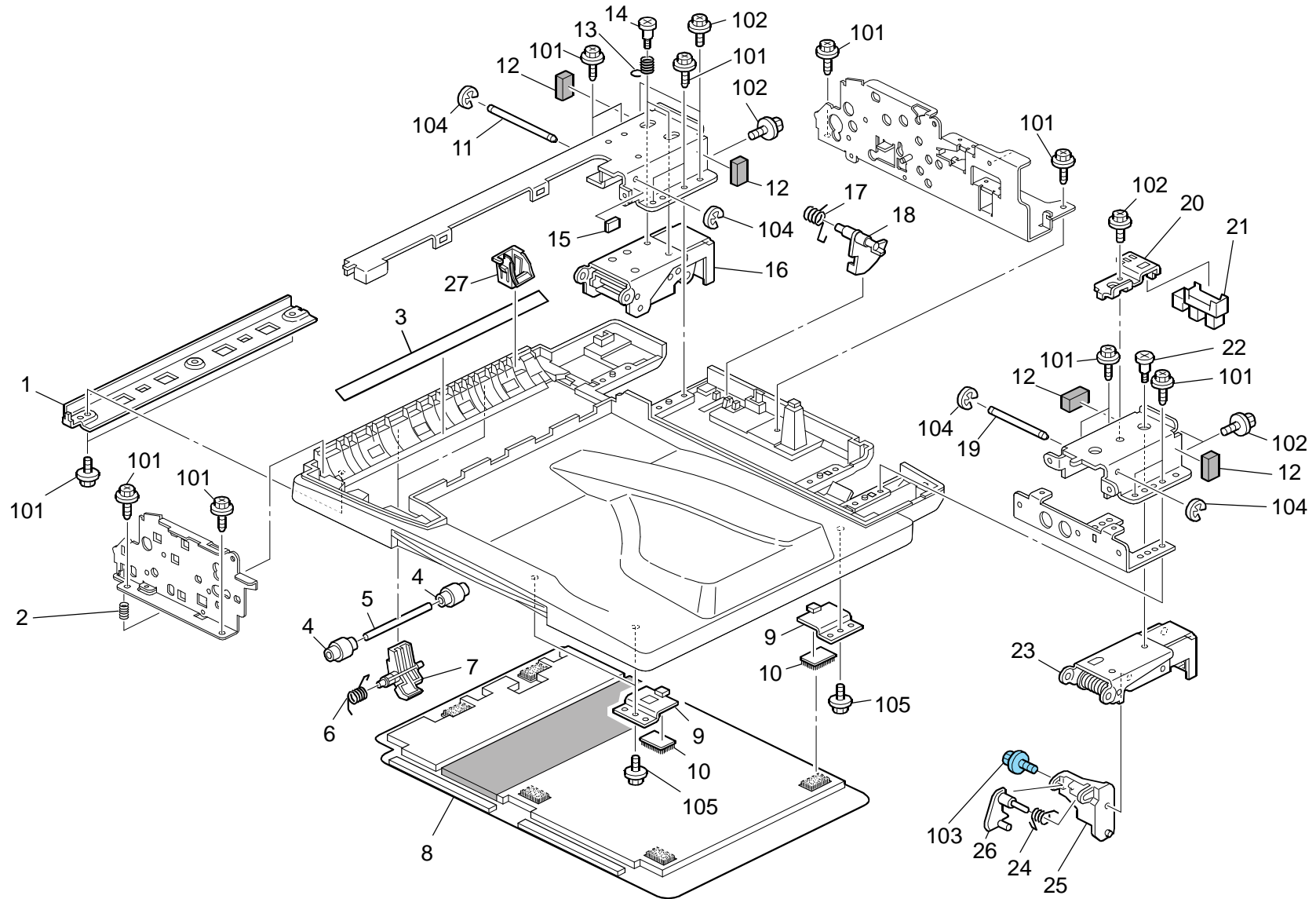


6. Drive Section (D366)

Index No.	Part No.	Description	Q'ty Per Assembly
1	B789 5801	Harness - Interface	1
2	D366 5413	PCB:Main Control:Ass'y	1
3	B789 5721	Harness - Registration Sensor	1
4	B789 5751	Harness Guide	1
5	B789 4121	Stepper Motor DC23V	2
6	B789 4112	Bracket - Paper Feed Motor	1
7	B789 4119	Tension Spring - Motor Bracket	1
8	AA04 3622	Timing Belt - B60S2M230	1
9	AA04 3631	Timing Belt - B60S2M168	1
10	B789 4221	Timing Pulley - 20T/48T	1
11	B789 4115	Bracket - Paper Feed Motor	1
12	B789 5746	Harness - Transport Motor	1
13	B789 1321	Bracket - On Off Detector	1
14	AW02 0141	Photointerruptor	1
15	AA08 2104	Bushing - 8x12x7	2
16	B789 4215	Magnetic Clutch Shaft	1
17	B789 2357	Tension Spring - Stopper	1
18	B789 2351	Pickup Lever	1
19	5447 2681	Snap Ring	2
20	B789 4212	Magnetic Clutch Bracket	1
21	B789 4276	Idler Gear Shaft	1
22	D366 4264	Gear - 27Z	1
23	AA04 3623	Timing Belt - B40S2M180	1
24	B789 4236	Timing Pulley - 26T	1
25	B789 4237	Timing Pulley - 28T	1
26	D366 4265	Gear - 30Z	1
27	D366 4268	Gear Shaft	1
28	AX21 0102	Magnetic Clutch - 30Z	1
29	B789 4219	Reversal Stopper - Paper Feed	1
30	B789 4141	Transport Motor Bracket	1
31	B789 4321	Timing Pulley - 30T/48T	1
32	AA04 3652	Timing Belt - B60S2M130	1
33	AA04 3625	Timing Belt - 122ST1.5-8.0	1
34	B789 4332	Pulley - 34T	1
35	B789 4329	Tension Spring - Tightener	1

Index No.	Part No.	Description	Q'ty Per Assembly
36	B789 4325	Tightener	1
101	0451 3006N	Tapping Screw - 3x6	
102	0951 3006N	Screw - M3x6	
103	0720 0040E	Retaining Ring - M4	
104	0720 0060E	Retaining Ring - M6	
105	0741 3506	Ball Bearing - 6x12x4 MM	
106	1105 0508	Harness Clamp - LWS-0711	
107	0632 0120G	Parallel Pin - 2x12	

7.Frame Section (D366)

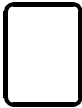
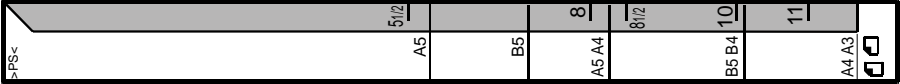
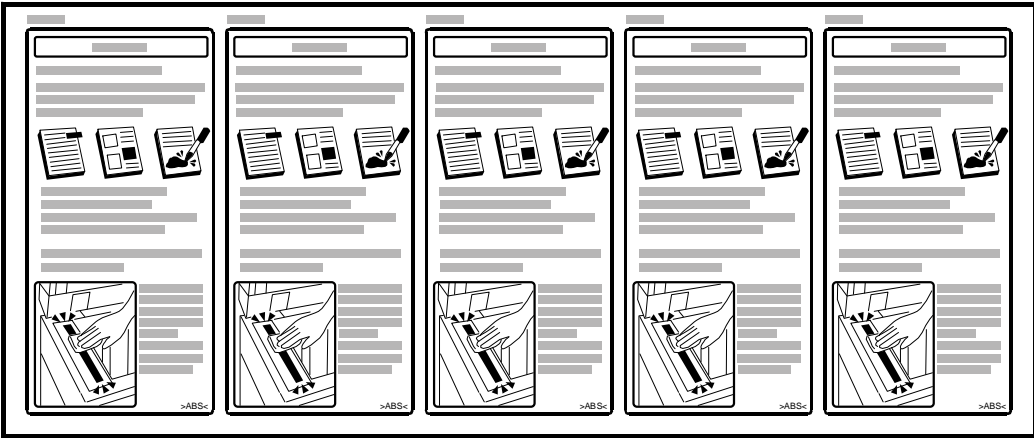
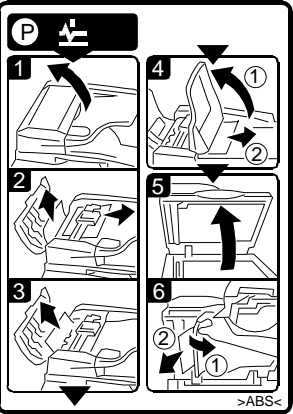
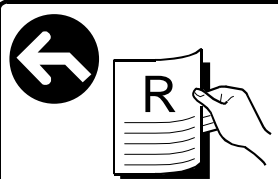
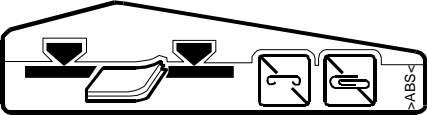


7.Frame Section (D366)

Index No.	Part No.	Description	Q'ty Per Assembly
1	B789 1912	Cover - Entrance Guide Plate	1
2	B789 1925	Compression Spring - Exit Driven	1
3	B789 1913	Sheet - Scanning Entrance	1
4	B789 3472	Scanning Driven Roller	4
5	B789 3492	Shaft - Driven Entrance	2
6	B789 1920	Torsion Spring - Entrance Driven	2
7	B789 1919	Lever - Entrance Driven	2
8	B789 3620	Pressure Plate Ass'y	1
9	B789 1926	Pressure Plate Spacer	3
10	B351 4322	Tape - Platen Sheet	3
11	B789 1231	Shaft Hinge- Left	1
12	B789 6511	Cushion - Rear Small	4
13	B789 1241	Compression Spring	2
14	AA14 3842	Screw:Dia6:14.5:M4	2
15	B789 3717	Gate Pawl Cushion	1
16	D366 1271	Left Hinge	1
17	B387 1951	Spring - Paper Size Sensor	1
18	B789 1942	Paper Size Sensor Feeler	1
19	B789 1232	Shaft Hinge - Right	1
20	B789 1311	Bracket - On Off Detector	1
21	AW02 0141	Photointerruptor	1
22	AA14 3129	Shoulder Screw - Front Cover	1
23	B789 1222	Hinge:Right	1
24	B387 1951	Spring - Paper Size Sensor	1
25	B789 1253	Feeler Holder	1
26	B789 1254	Feeler - On Off Detector	1
27	B789 1943	Cap:Registration Sensor:Base	1

Index No.	Part No.	Description	Q'ty Per Assembly
101	0450 3008N	Tapping Screw - M3x8	
102	0451 3006N	Tapping Screw - 3x6	
103	0454 3006Q	Tapping Screw - M3x6	
104	0720 0030E	Retaining Ring - M3	
105	0450 4008N	Tapping Screw - M4x8	

8. Decals And Documents (D366)

<p>1</p> 	<p>2</p> 	
<p>3</p> 		
<p>4</p> 	<p>5</p>  <p>Face up Face haut Bild oben Faccia in su Boca arriba 原稿面上向き 送信面上向き</p> <p>>ABS<</p>	<p>6</p> 

8.Decals And Documents (D366)

Index No.	Part No.	Description	Q'ty Per Assembly
1	A054 2977	Decal - Vertical Transport Guide	1
2	B652 1807	Decal:Size:Original	1
3	B652 2379	Decal:Caution:Original:5-Lang	1
4	B789 6011	Decal - Misfeed Removal	1
5	B789 6031	Decal - Original Table	1
6	B789 6041	Decal - Side Fence	1

Index No.	Part No.	Description	Q'ty Per Assembly

Parts Index

Parts Index

Part No.	Description	Page and Index No.
D366 1271	Left Hinge	15 - 16
D366 3131	Transport Roller - Exit	9 - 6
D366 3141	Reverse Roller - Drive	11 - 13
D366 4242	Torque Limiter - 24T	11 - 24
D366 4264	Gear - 27Z	13 - 22
D366 4265	Gear - 30Z	13 - 26
D366 4266	Gear - 30Z	7 - 25
D366 4268	Gear Shaft	13 - 27
D366 4269	Gear & Pulley - 32Z/30T	7 - 22
D366 4455	DC Solenoid - Pick-Up	11 - 22
D366 4849	Cushion - Pick-Up Arm	5 - 42
D366 4861	Cushion - Paper Feed Cover	5 - 41
D366 5413	PCB:Main Control:Ass'y	13 - 2

Part No.	Description	Page and Index No.
A054 2977	Decal - Vertical Transport Guide	9 - 12
A054 2977	Decal - Vertical Transport Guide	17 - 1
A294 6700	Torque Limiter - 53MNxM	7 - 15
A376 4599	Side Fence Pad	3 - 2
A548 6111	Screw:Positioning:Hinge	3 - 21
A548 6121	Screw - M4	3 - 22
A628 1225	Bushing - 8MM	5 - 28
A806 1295	Feed Belt	5 - 31
A858 4671	Roller Driven	7 - 27
A858 4671	Roller Driven	3 - 7
A859 2112	Drive Shaft - Paper Feed Belt	5 - 38
A859 2121	Gear - 22Z	5 - 32
A859 2167	Gear - 22Z	5 - 15
A859 2241	Reverse Roller	7 - 14
A859 2319	Base Cushion	5 - 40
A859 2352	Pressure Plate Pad	7 - 7
B351 4322	Tape - Platen Sheet	15 - 10
B351 4322	Tape - Platen Sheet	9 - 25
B386 3320	Spring:Belt:Paper Feed:8N	5 - 37
B387 1221	Exit Grounding Plate	9 - 33
B387 1951	Spring - Paper Size Sensor	15 - 17
B387 1951	Spring - Paper Size Sensor	15 - 24
B387 2113	Roller - Paper Feed Belt	5 - 39
B387 2161	Pickup Roller	5 - 20
B387 2316	Cushion:Stopper Pawl	3 - 23
B387 2316	Cushion:Stopper Pawl	5 - 7
B387 2316	Cushion:Stopper Pawl	7 - 18
B387 3414	Shield - Transmitted Rubber Stamp	9 - 23
B652 1807	Decal:Size:Original	17 - 2
B652 1807	Decal:Size:Original	5 - 2
B652 2213	Timing Belt:B40S2M142	9 - 32
B652 2379	Decal:Caution:Original:5-Lang	17 - 3
B652 2379	Decal:Caution:Original:5-Lang	3 - 19
B789 1222	Hinge:Right	15 - 23
B789 1231	Shaft Hinge- Left	15 - 11

Part No.	Description	Page and Index No.
B789 1232	Shaft Hinge - Right	15 - 19
B789 1241	Compression Spring	15 - 13
B789 1253	Feeler Holder	15 - 25
B789 1254	Feeler - On Off Detector	15 - 26
B789 1311	Bracket - On Off Detector	15 - 20
B789 1321	Bracket - On Off Detector	13 - 13
B789 1322	Spring Plate - Exposure Glass	11 - 8
B789 1331	Original Sensor Bracket	7 - 19
B789 1336	Sensor Harness Guide	7 - 11
B789 1342	Bracket:Sensor:Stopper Guide	11 - 7
B789 1343	Spring Plate:Sensor:Stopper Guide	11 - 26
B789 1912	Cover - Entrance Guide Plate	15 - 1
B789 1913	Sheet - Scanning Entrance	15 - 3
B789 1919	Lever - Entrance Driven	15 - 7
B789 1920	Torsion Spring - Entrance Driven	15 - 6
B789 1925	Compression Spring - Exit Driven	15 - 2
B789 1926	Pressure Plate Spacer	15 - 9
B789 1942	Paper Size Sensor Feeler	15 - 18
B789 1943	Cap:Registration Sensor:Base	15 - 27
B789 2100	Paper Feed Unit	5 - 14
B789 2111	Shaft - Drive Paper Feed	5 - 35
B789 2114	Paper Feed Belt Roller	5 - 30
B789 2115	Belt Holder	5 - 36
B789 2131	Paper Feed Guide - Rear	5 - 34
B789 2132	Paper Feed Guide - Front	5 - 27
B789 2134	Pick-Up Arm	5 - 33
B789 2142	Feeler:Original Sensor	5 - 9
B789 2151	Pickup Holder	5 - 17
B789 2161	Pickup Roller Shaft	5 - 18
B789 2163	Collar:Pickup	5 - 21
B789 2164	Timing Pulley:Pickup:S2M	5 - 22
B789 2181	Torsion Spring - Pickup	5 - 29
B789 2210	Reverse Shaft	7 - 16
B789 2311	Guide Plate - Paper Feed	7 - 10
B789 2312	Cover - Reverse	7 - 4

Part No.	Description	Page and Index No.
B789 2317	Spring Plate - Exit Upper	7 - 26
B789 2322	Reverse Guide Plate	7 - 3
B789 2351	Pickup Lever	13 - 18
B789 2357	Tension Spring - Stopper	13 - 17
B789 2365	Release Lever:Stopper	11 - 20
B789 2371	Pickup Guide	7 - 9
B789 2372	Guide Pickup	7 - 8
B789 2381	Pickup Receive Plate	7 - 5
B789 2386	Compression Spring - Pickup	7 - 6
B789 2411	Original Stopper	11 - 10
B789 2416	Pad - Original Stopper	11 - 27
B789 2431	Original Stopper Hook	11 - 19
B789 2436	Tension Spring - Stopper	11 - 23
B789 3110	Entrance Transport Roller	9 - 2
B789 3120	Exit Transport Roller	9 - 3
B789 3126	Timing Pulley - 25T	9 - 29
B789 3131	Timing Pulley - 20T	9 - 31
B789 3136	Gear - 20Z	9 - 7
B789 3137	Gear - 24Z	9 - 8
B789 3146	Spring Plate - Driven Roller	3 - 6
B789 3152	Pull Out Roller	11 - 9
B789 3211	Guide Plate:Pull Out	7 - 1
B789 3213	Feeler - Paper Size Sensor	7 - 2
B789 3219	Entrance Guide Plate - Upper	11 - 1
B789 3220	Exit Guide Plate - Upper	9 - 9
B789 3221	Guide Plate - Lower Reverse	9 - 1
B789 3223	Discharge Brush - Exit	9 - 10
B789 3226	Guide Plate - Upper Reverse	7 - 28
B789 3315	Driven Roller Bracket	5 - 6
B789 3321	Guide Plate - Driven Roller	5 - 12
B789 3326	Driven Roller	5 - 11
B789 3331	Compression Spring - Driven Roller	5 - 10
B789 3417	Spring Plate - Exit Driven	9 - 20
B789 3418	Spring Plate - Exit Driven Auxiliary	9 - 21
B789 3426	Tension Spring - Open And Close	9 - 22

Part No.	Description	Page and Index No.
B789 3431	Cover - Exit Guide Plate	9 - 24
B789 3432	Exit Guide Plate	9 - 11
B789 3472	Scanning Driven Roller	9 - 14
B789 3472	Scanning Driven Roller	15 - 4
B789 3491	Scanning Driven Shaft	9 - 17
B789 3492	Shaft - Driven Entrance	15 - 5
B789 3493	Driven Exit Shaft	9 - 15
B789 3510	Exposure Glass Guide	9 - 5
B789 3620	Pressure Plate Ass'y	15 - 8
B789 3712	Exit Driven Roller	9 - 16
B789 3713	Reverse Gate Pawl	11 - 11
B789 3716	Tension Spring - Gate Pawl	11 - 14
B789 3717	Gate Pawl Cushion	15 - 15
B789 3718	Gate Pawl Cushion - Small	11 - 12
B789 3721	Lever:Gate Pawl:Reverse	11 - 15
B789 4112	Bracket - Paper Feed Motor	13 - 6
B789 4115	Bracket - Paper Feed Motor	13 - 11
B789 4119	Tension Spring - Motor Bracket	13 - 7
B789 4121	Stepper Motor DC23V	13 - 5
B789 4141	Transport Motor Bracket	13 - 30
B789 4212	Magnetic Clutch Bracket	13 - 20
B789 4215	Magnetic Clutch Shaft	13 - 16
B789 4219	Reversal Stopper - Paper Feed	13 - 29
B789 4221	Timing Pulley - 20T/48T	13 - 10
B789 4236	Timing Pulley - 26T	13 - 24
B789 4237	Timing Pulley - 28T	13 - 25
B789 4257	Pulley Flange	7 - 24
B789 4257	Pulley Flange	11 - 25
B789 4261	Timing Pulley - 28T	11 - 18
B789 4276	Idler Gear Shaft	13 - 21
B789 4321	Timing Pulley - 30T/48T	13 - 31
B789 4325	Tightener	13 - 36
B789 4329	Tension Spring - Tightener	13 - 35
B789 4332	Pulley - 34T	13 - 34
B789 4411	DC Solenoid DC24V	11 - 16

Part No.	Description	Page and Index No.
B789 4620	Original Table - Face Front	3 - 8
B789 4641	Cover:Original Table	3 - 3
B789 4651	Side Fence	3 - 1
B789 4660	Original Insert Guide	3 - 15
B789 4671	Original Sensor Feeler	3 - 16
B789 4711	Front Cover	3 - 5
B789 4762	Rear Cover	3 - 17
B789 4843	Paper Feed Cover	5 - 3
B789 4872	Original Sensor Feeler Holder	5 - 8
B789 4873	Positioning Plate - Front	5 - 4
B789 4874	Positioning Plate - Rear	5 - 5
B789 5006	DC Solenoid DC24V	9 - 13
B789 5716	Harness - Paper Size Sensor	11 - 5
B789 5721	Harness - Registration Sensor	13 - 3
B789 5726	Harness - Set Sensor	7 - 21
B789 5727	Harness - Registration Sensor	11 - 3
B789 5731	Harness - Paper Feed Sensor	9 - 19
B789 5736	Harness - Original Tray Sensor	3 - 12
B789 5746	Harness - Transport Motor	13 - 12
B789 5751	Harness Guide	13 - 4
B789 5801	Harness - Interface	13 - 1
B789 6011	Decal - Misfeed Removal	5 - 1
B789 6011	Decal - Misfeed Removal	17 - 4
B789 6031	Decal - Original Table	3 - 4
B789 6031	Decal - Original Table	17 - 5
B789 6041	Decal - Side Fence	3 - 13
B789 6041	Decal - Side Fence	17 - 6
B789 6511	Cushion - Rear Small	15 - 12
B789 6514	Damping Insulation:Cover:Rear	3 - 18
G412 3831	Pulley - 22Z	5 - 16
H511 5007	Stamp	3 - 20

Part No.	Description	Page and Index No.
AA04 3620	Timing Belt - 40S2M102	5 - 23
AA04 3622	Timing Belt - B60S2M230	13 - 8
AA04 3623	Timing Belt - B40S2M180	13 - 23
AA04 3623	Timing Belt - B40S2M180	7 - 23
AA04 3625	Timing Belt - 122ST1.5-8.0	13 - 33
AA04 3631	Timing Belt - B60S2M168	13 - 9
AA04 3652	Timing Belt - B60S2M130	13 - 32
AA06 3435	Compression Spring:Paper Feed:Joint	5 - 26
AA08 2101	Bushing - 6x10x6	7 - 17
AA08 2101	Bushing - 6x10x6	11 - 17
AA08 2101	Bushing - 6x10x6	9 - 27
AA08 2104	Bushing - 8x12x7	9 - 30
AA08 2104	Bushing - 8x12x7	5 - 24
AA08 2104	Bushing - 8x12x7	13 - 15
AA13 2013	Spacer	5 - 25
AA14 3129	Shoulder Screw - Front Cover	15 - 22
AA14 3379	Stepped Screw	9 - 34
AA14 3788	Pin:Guide Plate:Paper Feed	9 - 26
AA14 3788	Pin:Guide Plate:Paper Feed	5 - 13
AA14 3842	Screw:Dia6:14.5:M4	15 - 14
AG07 0513	Magnet Catch	7 - 12
AG07 0513	Magnet Catch	3 - 10
AW01 0109	Photo Refiection Sensor:PS117ED1	11 - 2
AW01 0109	Photo Refiection Sensor:PS117ED1	9 - 18
AW01 0129	Paper Feed Sensor	3 - 11
AW02 0141	Photointerruptor	11 - 4
AW02 0141	Photointerruptor	7 - 20
AW02 0141	Photointerruptor	13 - 14
AW02 0141	Photointerruptor	3 - 14
AW02 0141	Photointerruptor	15 - 21
AX21 0102	Magnetic Clutch - 30Z	13 - 28
GW01 0007	Photo Refiection Sensor:Exit	11 - 6

Part No.	Description	Page and Index No.
0353 0040N	Screw - M3x4	11 - 102
0450 3008N	Tapping Screw - M3x8	9 - 101
0450 3008N	Tapping Screw - M3x8	3 - 102
0450 3008N	Tapping Screw - M3x8	5 - 101
0450 3008N	Tapping Screw - M3x8	15 - 101
0450 4008N	Tapping Screw - M4x8	15 - 105
0451 3006N	Tapping Screw - 3x6	3 - 101
0451 3006N	Tapping Screw - 3x6	15 - 102
0451 3006N	Tapping Screw - 3x6	13 - 101
0451 3006N	Tapping Screw - 3x6	11 - 104
0451 3006N	Tapping Screw - 3x6	7 - 101
0454 3006Q	Tapping Screw - M3x6	9 - 104
0454 3006Q	Tapping Screw - M3x6	11 - 101
0454 3006Q	Tapping Screw - M3x6	15 - 103
0632 0120G	Parallel Pin - 2x12	7 - 103
0632 0120G	Parallel Pin - 2x12	5 - 104
0632 0120G	Parallel Pin - 2x12	13 - 107
0720 0030E	Retaining Ring - M3	15 - 104
0720 0040E	Retaining Ring - M4	5 - 102
0720 0040E	Retaining Ring - M4	13 - 103
0720 0040E	Retaining Ring - M4	9 - 102
0720 0040E	Retaining Ring - M4	11 - 106
0720 0040E	Retaining Ring - M4	7 - 102
0720 0060E	Retaining Ring - M6	13 - 104
0720 0060E	Retaining Ring - M6	11 - 105
0720 0060E	Retaining Ring - M6	5 - 103
0720 0060E	Retaining Ring - M6	9 - 103
0741 3506	Ball Bearing - 6x12x4 MM	13 - 105
0742 3808	Ball Bearing - 8x16x5	11 - 103
0805 0089	Retaining Ring - M4	11 - 107
0951 3006N	Screw - M3x6	13 - 102
1105 0508	Harness Clamp - LWS-0711	13 - 106
1105 0619	Clamp:LBWS-0605S-V0	11 - 108

Part No.	Description	Page and Index No.
5206 2686	Snap Ring	9 - 4
5215 2621	Snap Ring - M6	3 - 9
5447 2681	Snap Ring	5 - 19
5447 2681	Snap Ring	7 - 13
5447 2681	Snap Ring	9 - 28
5447 2681	Snap Ring	11 - 21
5447 2681	Snap Ring	13 - 19

Part No.	Description	Page and Index No.
----------	-------------	--------------------