

**ARDF DF3050
Machine Code: D541
Field Service Manual**

6 August, 2010

TABLE OF CONTENTS

1. Replacement and Adjustment

- Covers and Tray.....3
 - Rear Cover.....3
 - Front Cover and Original Tray.....3
- Document Feed Components.....5
 - Original Feed Unit.....5
 - Pick-Up Roller.....5
 - Feed Belt.....6
 - Separation Roller.....7
- Electrical Components.....8
 - ARDF Drive Board and DF Position Sensor.....8
 - Original Length Sensors and Trailing Edge Sensor.....9
 - Original Set Sensor.....9
 - Original Size Sensors and Skew Correction Sensor.....10
 - Stamp Solenoid and Original Exit Sensor.....11
- Original Feed Drive.....12
 - Feed Motor.....12
 - Pick-up Solenoid.....12
 - Inverter Solenoid.....13
 - Feed Clutch.....14
 - Transport Motor.....15
- INDEX.....17**

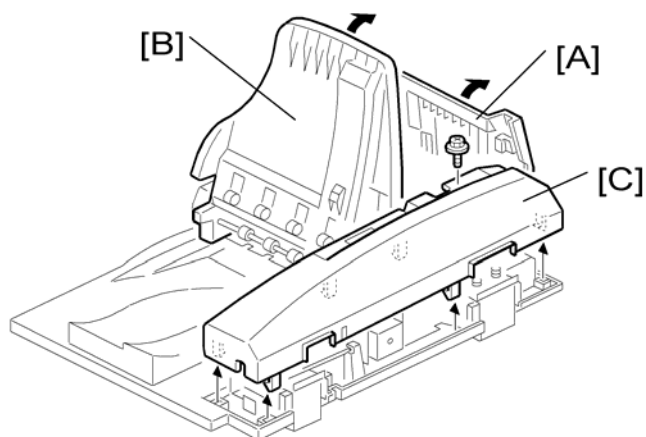


1. Replacement and Adjustment

Covers and Tray

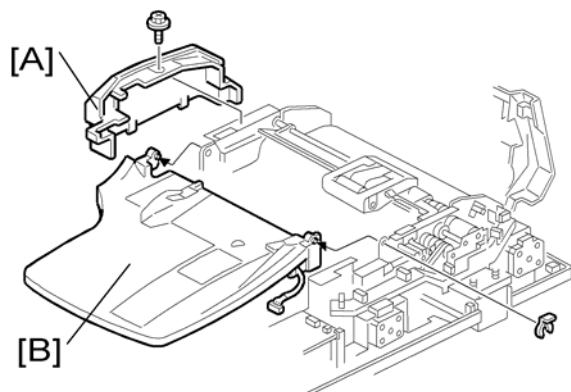
1



Rear Cover



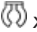

1. Open the left cover [A].
2. Open the original tray [B].
3. Rear cover [C] (⚙️ x 1, hook x 6)

Front Cover and Original Tray



1. Open the left cover.
2. Rear cover ( "Rear Cover")
3. Front cover [A] ( x 1)

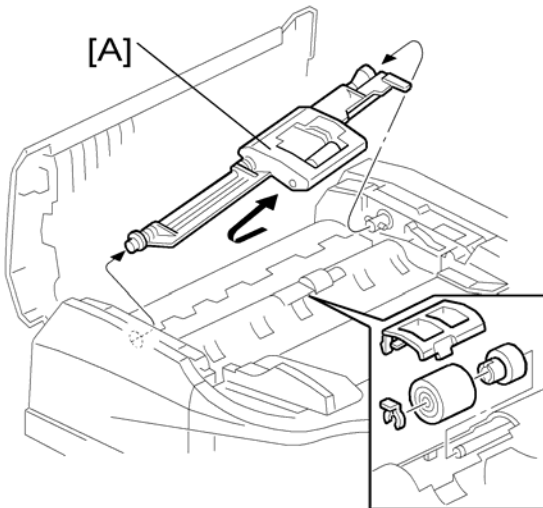
 **Note**

- Keep the original tray open when you remove the front cover.
4. Original tray [B] ( x 1,  x 1)

Document Feed Components

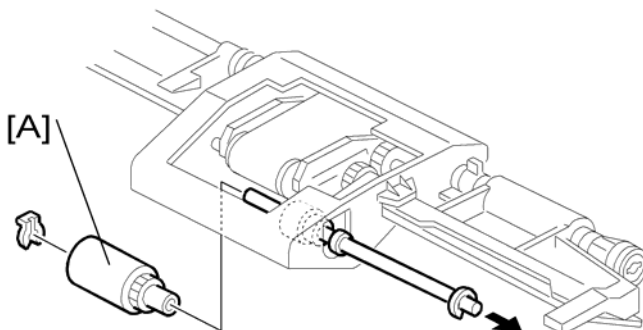
Original Feed Unit

1



1. Open the left cover.
2. Original feed unit [A].

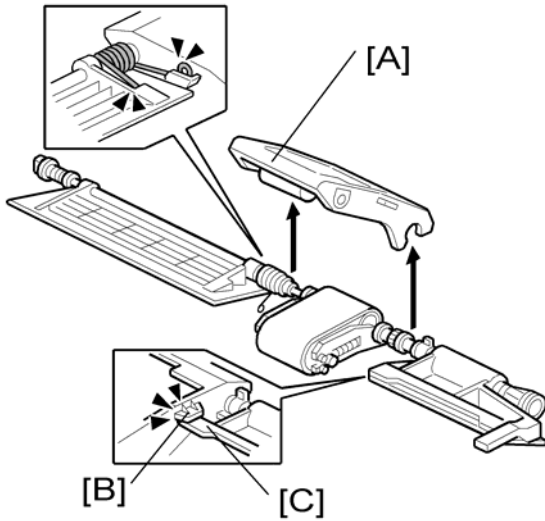
Pick-Up Roller



1. Open the left cover.
2. Original feed unit (☐ "Original Feed Unit")
3. Pick-up roller [A] (☐ x 1)

Feed Belt

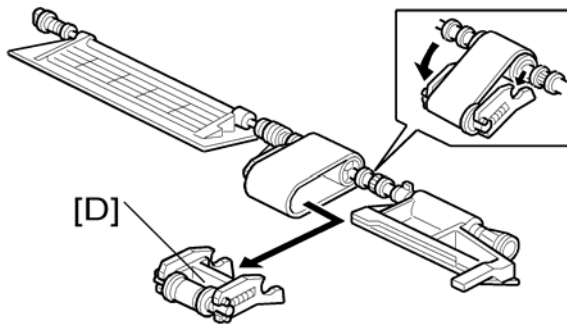
1



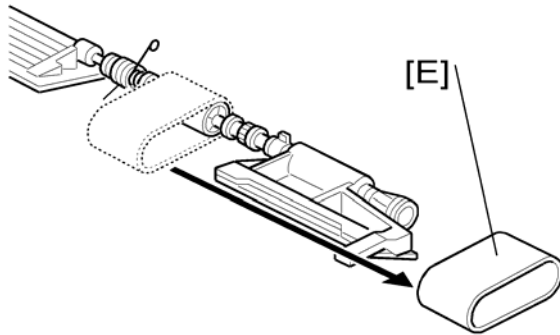
1. Open the left cover.
2. Original feed unit (☐ "Original Feed Unit")
3. Feed belt cover [A] (spring x 1)

Note

- When reassembling the feed belt cover, make sure that the projection [B] of the feed belt cover is on the guide plate rear [C].

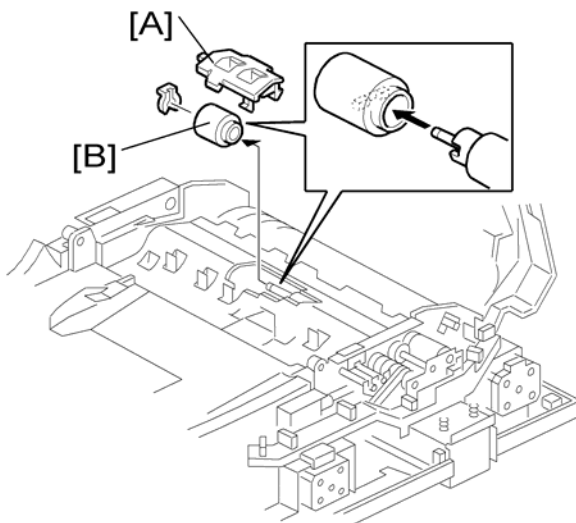


4. Belt tension unit [D]



1. Feed belt [E]

Separation Roller

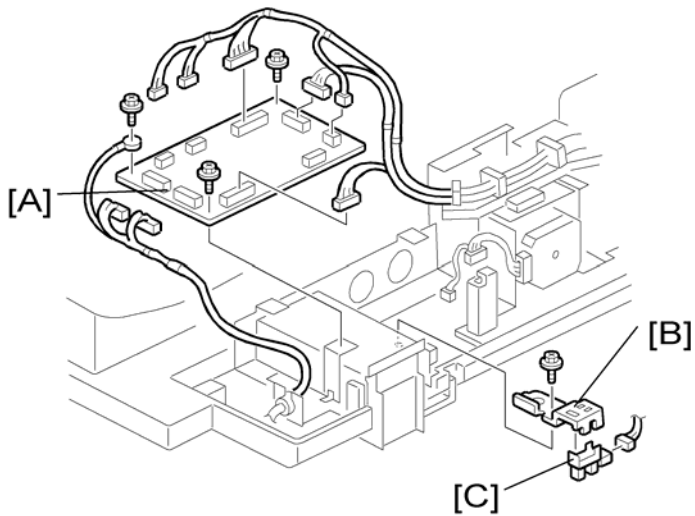




1. Open the left cover.
2. Separation roller cover [A].
3. Separation roller [B] (🔧 x 1)

Electrical Components

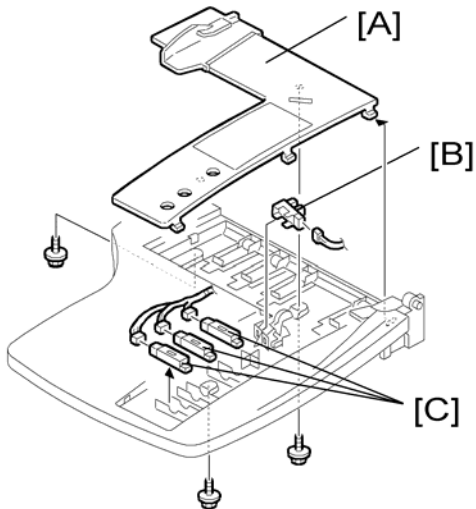
1

ARDF Drive Board and DF Position Sensor



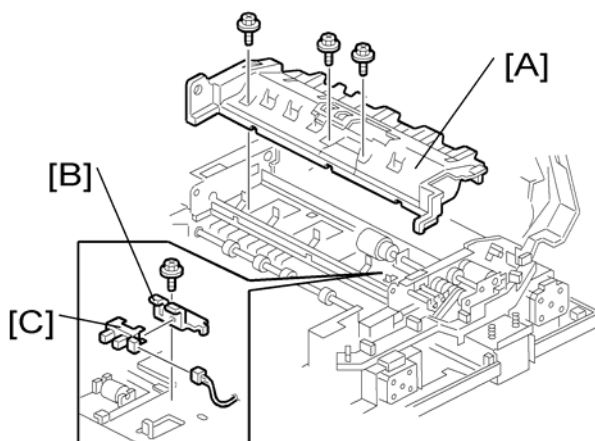
1. Rear cover (see "Rear Cover")
2. ARDF drive board [A] (hook x 3, all s)
3. DF position sensor with bracket [B] (hook x 1,  x 1)
4. DF position sensor [C] (hook x 2)

Original Length Sensors and Trailing Edge Sensor



1. Original Tray (see "Front Cover and Original Tray")
2. Tray cover [A] (🔩 x 3)
3. Original trailing edge sensor [B] (🔌 x 1)
4. Original length sensors [C] (🔌 x 1 each)

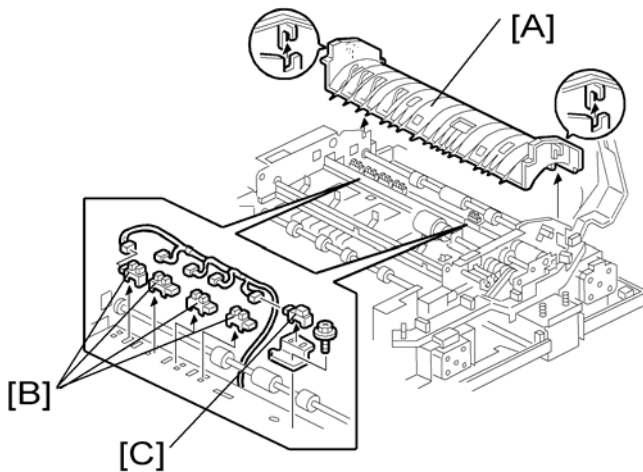
Original Set Sensor



1. Open the left cover.
2. Original feed unit (see the "Original Feed Unit")

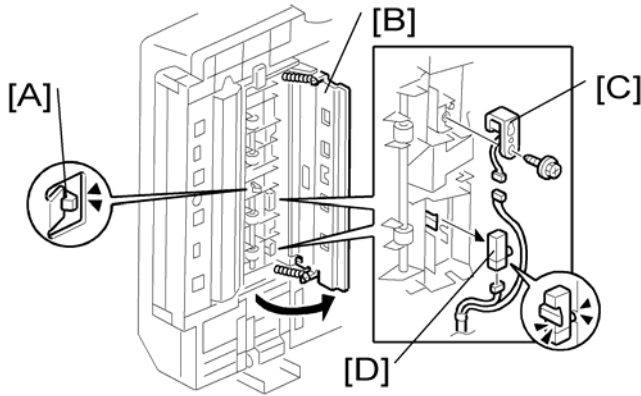
3. Original Tray (see the "Original Tray")
4. Original feed-in guide plate [A] (🔩 x 3).
5. Original set sensor bracket [B] (🔩 x 1)
6. Original set sensor [C]

Original Size Sensors and Skew Correction Sensor



1. Original feed-in guide plate (see "Original Set Sensor")
2. Original turn guide plate [A] (hook x 1).
3. Original width sensors [B] (🔩 x 1 each) and skew correction sensor [C] with bracket (🔩 x 1, 🔩 x 1)

Stamp Solenoid and Original Exit Sensor

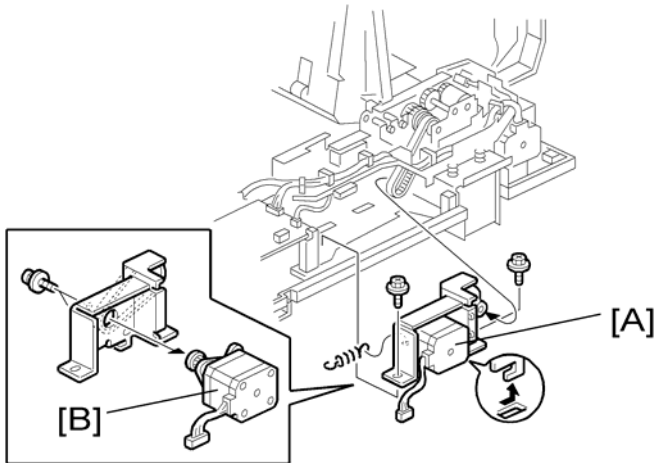


1. Open the ARDF.
2. Remove the left edge of the platen sheet.
3. Release the hook [A].
4. Open the original exit guide plate [B]
5. Stamp solenoid [C] (🔩 x 1, 🪝 x 1)
6. Original exit sensor [D] (🪝 x 1, hook x 1)

Original Feed Drive

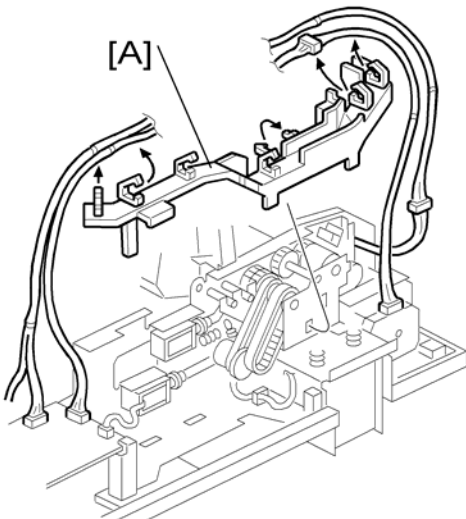
1


Feed Motor

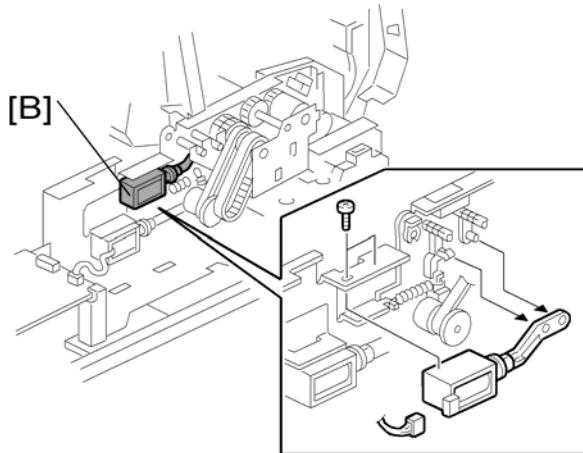




1. Rear cover (see "Rear Cover")
2. Feed motor with bracket [A] (⚙️ x 2, 📏 x 1, 🍃 x 1)
3. Feed motor [B] (⚙️ x 2)

Pick-up Solenoid

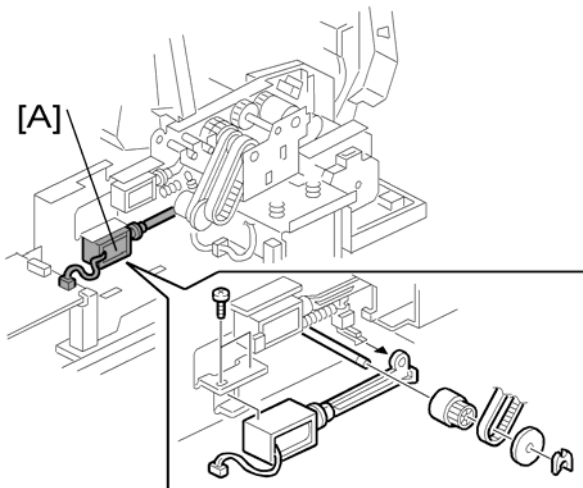





1. Rear cover (see "Rear Cover")
2. Harness guide [A] (all s)



3. Pick-up solenoid [B] ( x 2,  x 1)

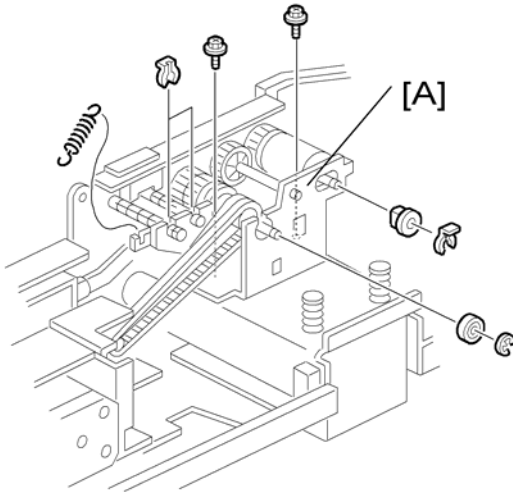
Inverter Solenoid



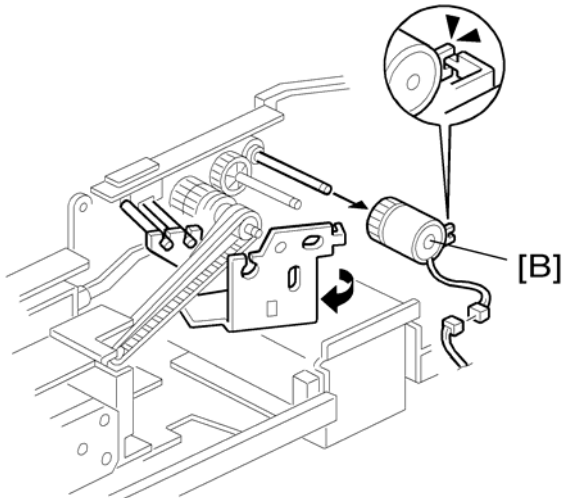
1. Rear cover (see "Rear Cover")
2. Harness guide (see "Pick-up Solenoid")
3. Inverter solenoid [A] ( x 2,  x 1,  x 1, gear x 1, gear cover x 1)

Feed Clutch

1

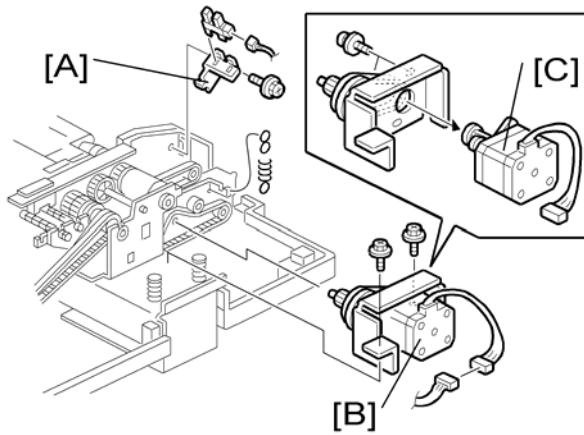


1. Rear cover (see "Rear Cover")
2. Harness guide (see "Pick-up Solenoid")
3. Bracket [A] (⚙️ x 2, ⚙️ x 3, ⚙️ x 1, bushing x 1, spring x 1)



4. Slide the bracket.
5. Feed clutch [B] (⚙️ x 1)

Transport Motor



1. Rear cover (see "Rear Cover")
2. Harness guide (see "Pick-up Solenoid")
3. Left cover sensor with bracket [A] (🔩 x 1, 📏 x 1)
4. Transport motor with bracket [B] (🔩 x 2, 📏 x 1, spring x 1)
5. Transport motor [C] (🔩 x 2)

