

ARDF DF3050 (D541)

ARDF DF3050 (D541)

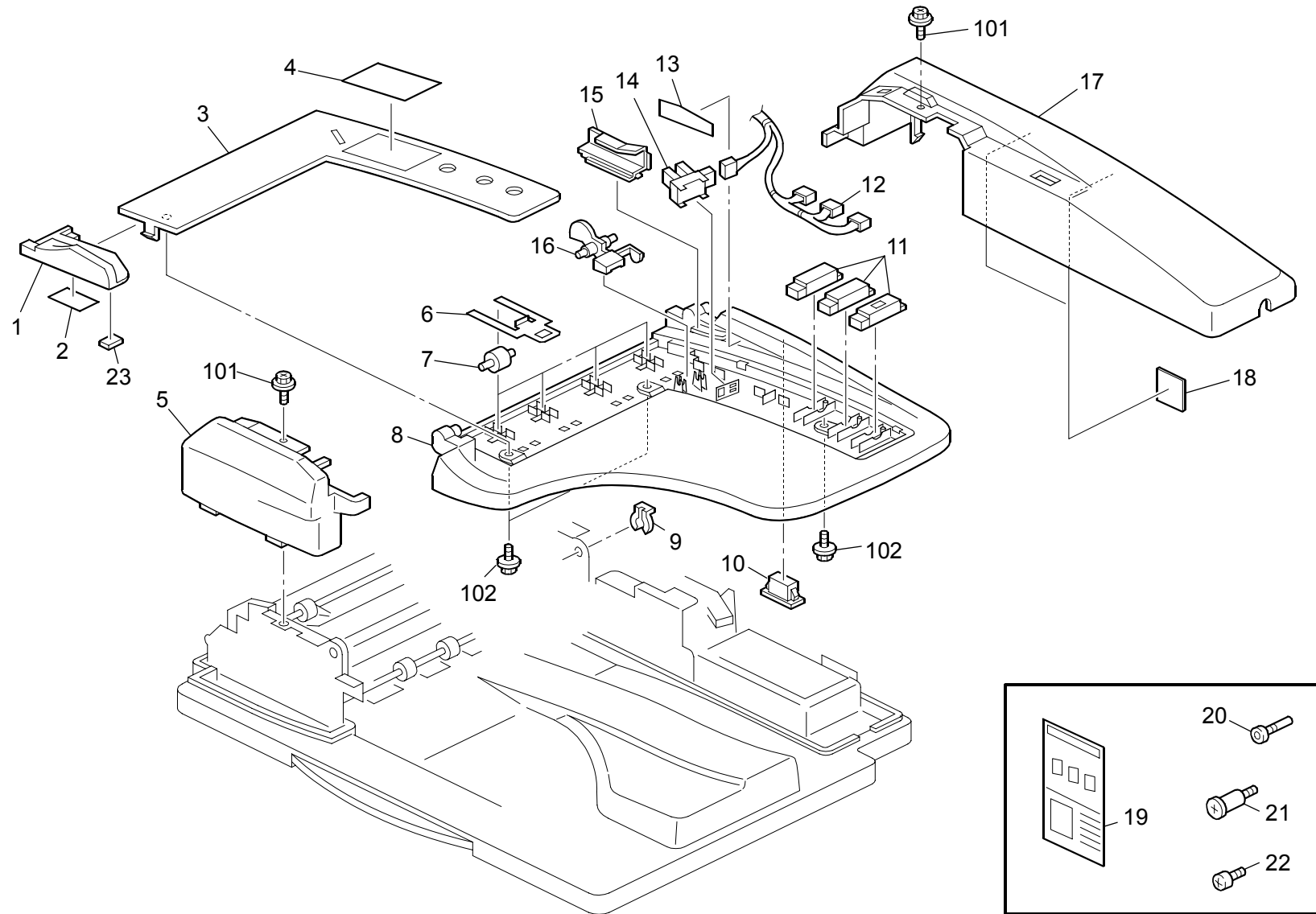
PARTS CATALOG

This catalog gives the numbers and names of parts on this machine.

1.Exterior (D541)	2
2.Original Feed Section 1 (D541).....	4
3.Original Feed Section 2 (D541).....	6
4.Original Transfer Section (D541).....	8
5.Original Exit (D541)	10
6.Drive Section (D541)	12
7.Frame Section (D541)	14
8.Decals And Documents (D541).....	16
Parts Index	20

November 1, 2010

1.Exterior (D541)

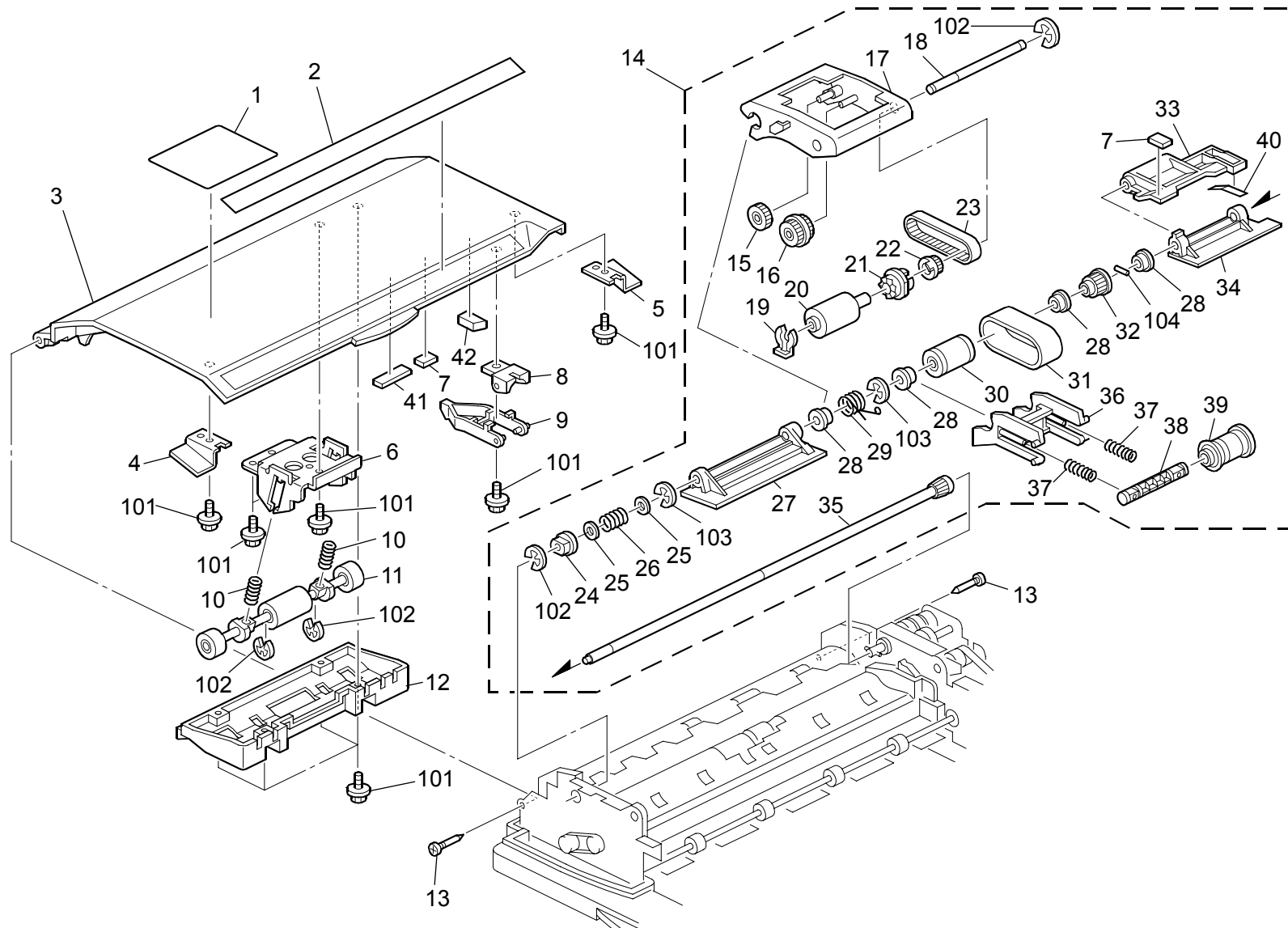


1.Exterior (D541)

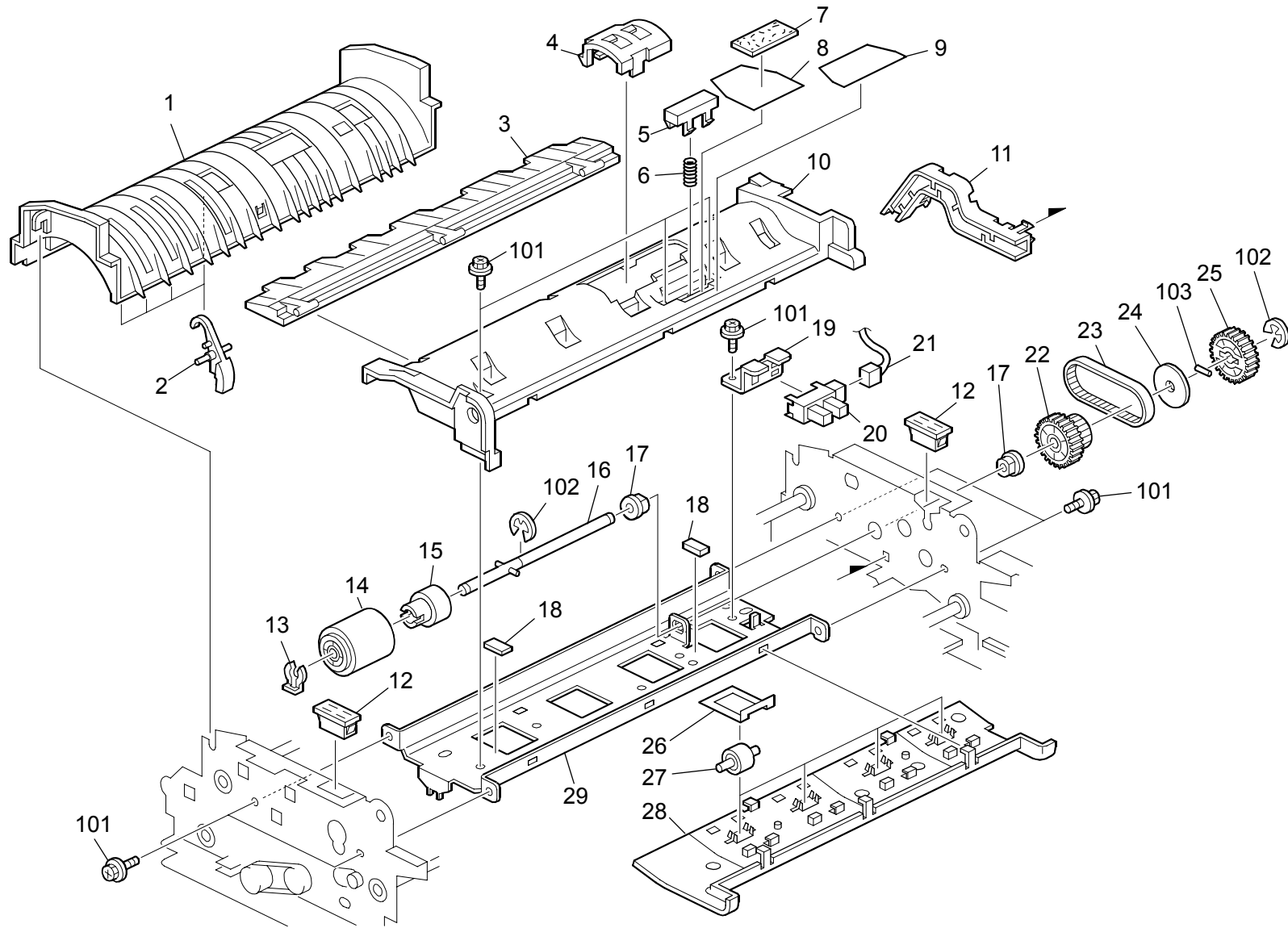
Index No.	Part No.	Description	Q'ty Per Assembly
1	B789 4651	Side Fence	1
2	A376 4599	Side Fence Pad	1
3	B789 4641	Cover:Original Table	1
4	B789 6031	Decal - Original Table	1
5	B789 4711	Front Cover	1
6	B789 3146	Spring Plate - Driven Roller	4
7	A858 4671	Roller Driven	4
8	B789 4620	Original Table - Face Front	1
9	5215 2621	Snap Ring - M6	1
10	AG07 0513	Magnet Catch	1
11	AW01 0129	Paper Feed Sensor	3
12	D541 5410	Harness:Sensor:Original Tray	1
13	B789 6041	Decal - Side Fence	1
14	AW02 0141	Photointerruptor	1
15	B789 4660	Original Insert Guide	1
16	B789 4671	Original Sensor Feeler	1
17	B789 4762	Rear Cover	1
18	B789 6514	Damping Insulation:Cover:Rear	2
19	B802 6379	Decal:Caution:Original:5-Lang	1
20	H511 5007	Stamp	1
21	A548 6111	Screw:Positioning:Hinge	2
22	A548 6111	Screw:Positioning:Hinge	2
23	B387 2316	Cushion:Stopper Pawl	1

Index No.	Part No.	Description	Q'ty Per Assembly
101	0451 3006N	Tapping Screw - 3x6	
102	0450 3008N	Tapping Screw - M3x8	

2.Original Feed Section 1 (D541)



3.Original Feed Section 2 (D541)

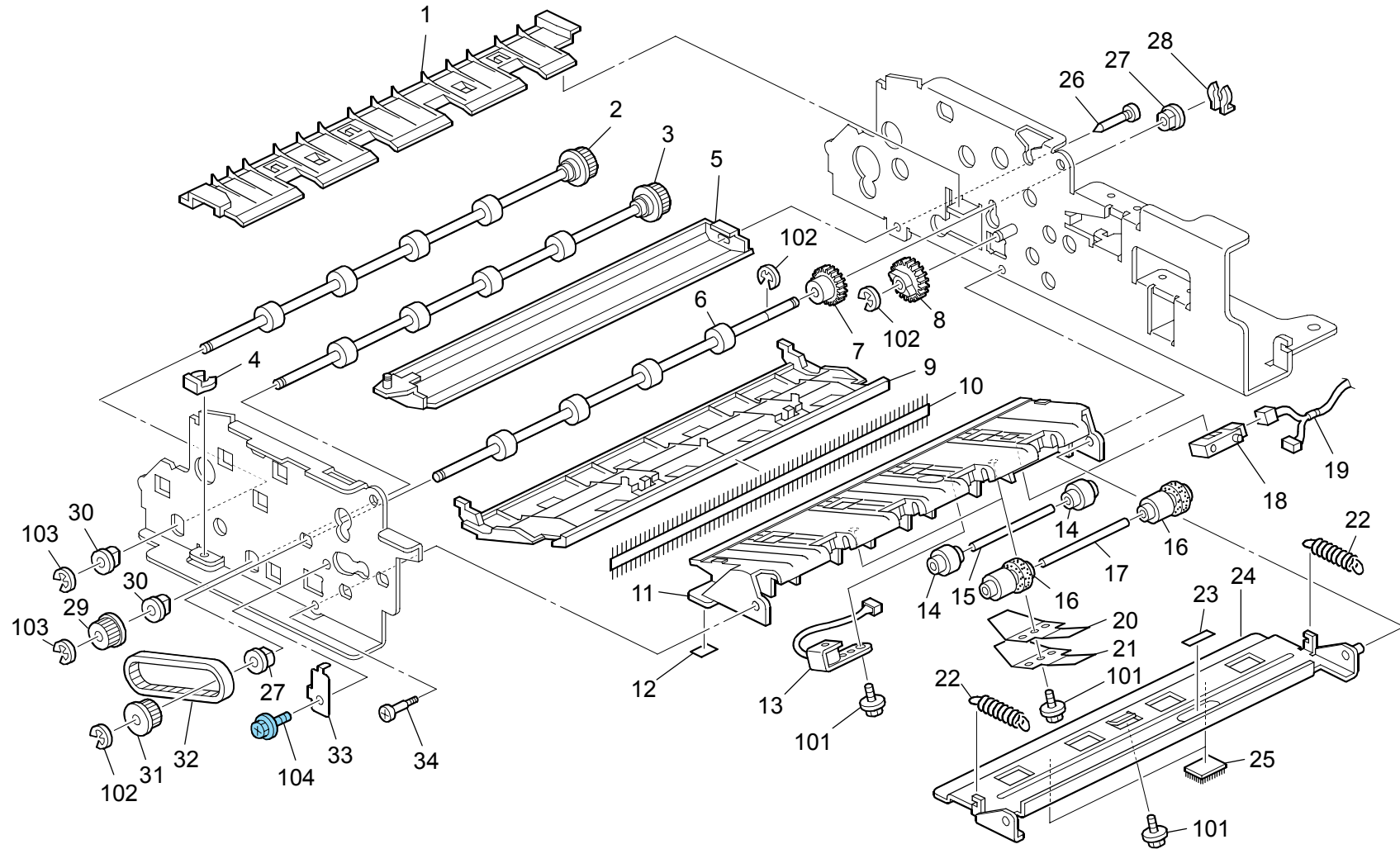


3.Original Feed Section 2 (D541)

Index No.	Part No.	Description	Q'ty Per Assembly
1	B789 3211	Guide Plate:Pull Out	1
2	B789 3213	Feeler - Paper Size Sensor	4
3	B789 2322	Reverse Guide Plate	1
4	B789 2312	Cover - Reverse	1
5	B789 2381	Pickup Receive Plate	1
6	B789 2386	Compression Spring - Pickup	1
7	A859 2352	Pressure Plate Pad	1
8	B789 2372	Guide Pickup	1
9	B789 2371	Pickup Guide	1
10	B789 2311	Guide Plate - Paper Feed	1
11	B789 1336	Sensor Harness Guide	1
12	AG07 0513	Magnet Catch	2
13	5447 2681	Snap Ring	1
14	D541 2241	Reverse Roller:Paper Feed	1
15	A294 6700	Torque Limiter - 53MNxM	1
16	D541 2210	Shaft:Reverse:Press Fit	1
17	AA08 2101	Bushing - 6x10x6	2
18	B387 2316	Cushion:Stopper Pawl	2
19	B789 1331	Original Sensor Bracket	1
20	AW02 0141	Photointerruptor	1
21	D541 5425	Harness:Sensor:Set Sensor:Connecting	1
22	D366 4269	Gear & Pulley - 32Z/30T	1
23	AA04 3623	Timing Belt - B40S2M180	1
24	B789 4257	Pulley Flange	1
25	D366 4266	Gear - 30Z	1
26	B789 2317	Spring Plate - Exit Upper	4
27	A858 4671	Roller Driven	4
28	B789 3226	Guide Plate - Upper Reverse	1
29	B789 1161	Stay:Separation	1

Index No.	Part No.	Description	Q'ty Per Assembly
101	0451 3006N	Tapping Screw - 3x6	
102	0720 0040E	Retaining Ring - M4	
103	0632 0120G	Parallel Pin - 2x12	

4.Original Transfer Section (D541)

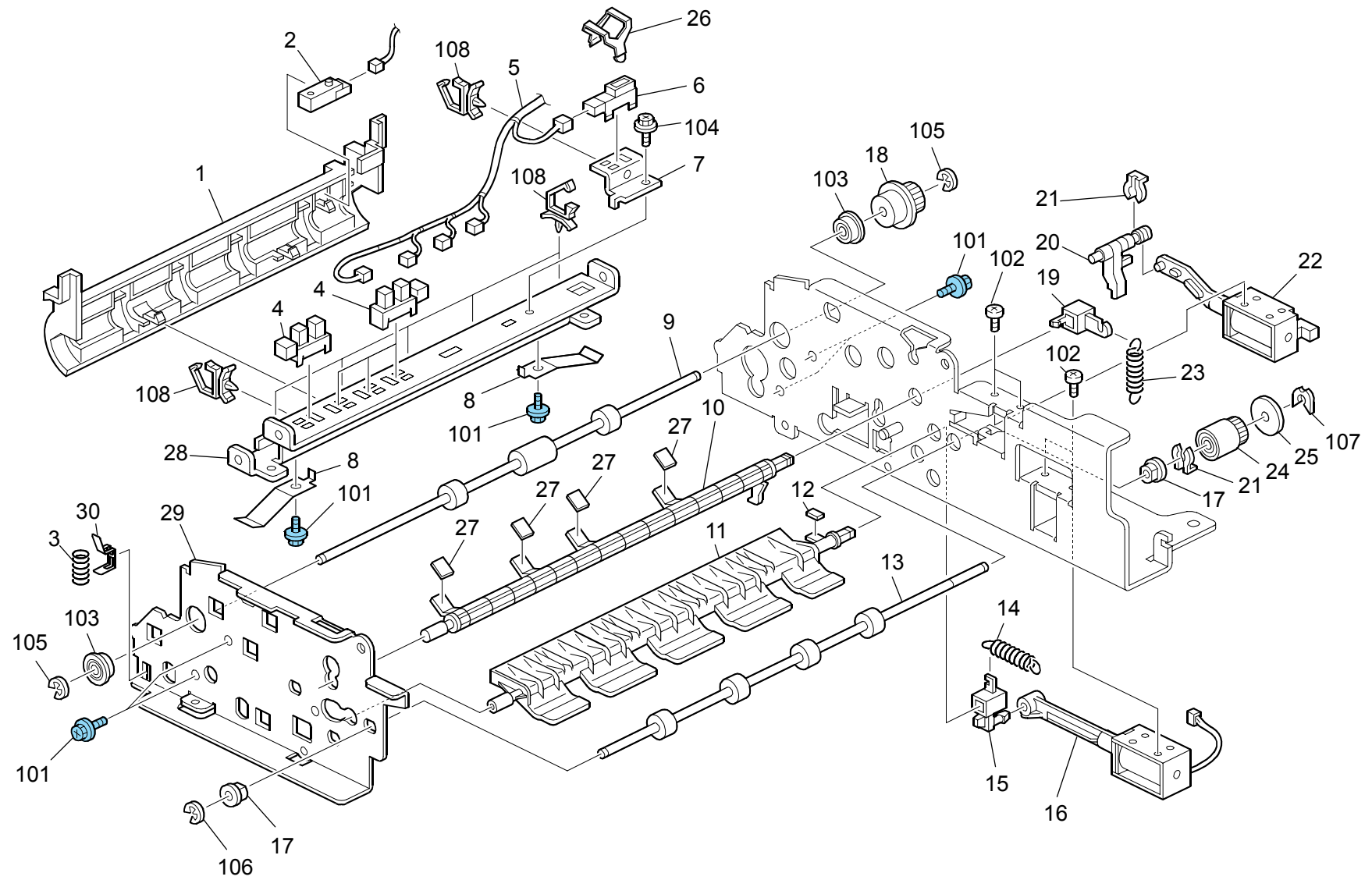


4.Original Transfer Section (D541)

Index No.	Part No.	Description	Q'ty Per Assembly
1	B789 3221	Guide Plate - Lower Reverse	1
2	B789 3110	Entrance Transport Roller	1
3	B789 3120	Exit Transport Roller	1
4	5206 2686	Snap Ring	1
5	B789 3510	Exposure Glass Guide	1
6	D366 3131	Transport Roller - Exit	1
7	B789 3136	Gear - 20Z	1
8	B789 3137	Gear - 24Z	1
9	B789 3220	Exit Guide Plate - Upper	1
10	B789 3223	Discharge Brush - Exit	1
11	B789 3432	Exit Guide Plate	1
12	A054 2977	Decal - Vertical Transport Guide	1
13	B789 5006	DC Solenoid DC24V	1
14	B789 3472	Scanning Driven Roller	4
15	B789 3493	Driven Exit Shaft	2
16	B789 3712	Exit Driven Roller	4
17	B789 3491	Scanning Driven Shaft	2
18	AW01 0109	Photo Reflection Sensor:PS117ED1	1
19	D541 5420	Harness:Sensor:Exit:Connecting	1
20	B789 3417	Spring Plate - Exit Driven	2
21	B789 3418	Spring Plate - Exit Driven Auxiliary	2
22	B789 3426	Tension Spring - Open And Close	2
23	B387 3414	Shield - Transmitted Rubber Stamp	1
24	B789 3431	Cover - Exit Guide Plate	1
25	B351 4322	Tape - Platen Sheet	2
26	AA14 3788	Pin:Guide Plate:Paper Feed	1
27	AA08 2101	Bushing - 6x10x6	2
28	5447 2681	Snap Ring	1
29	B789 3126	Timing Pulley - 25T	1
30	AA08 2144	Bushing - 8x12x7	2
31	B789 3131	Timing Pulley - 20T	1
32	B830 3115	Timing Belt:B40S2M142	1
33	B387 1221	Exit Grounding Plate	1
34	AA14 3379	Stepped Screw	1

Index No.	Part No.	Description	Q'ty Per Assembly
101	0450 3008N	Tapping Screw - M3x8	
102	0720 0040E	Retaining Ring - M4	
103	0720 0060E	Retaining Ring - M6	
104	0454 3006Q	Tapping Screw - M3x6	

5.Original Exit (D541)

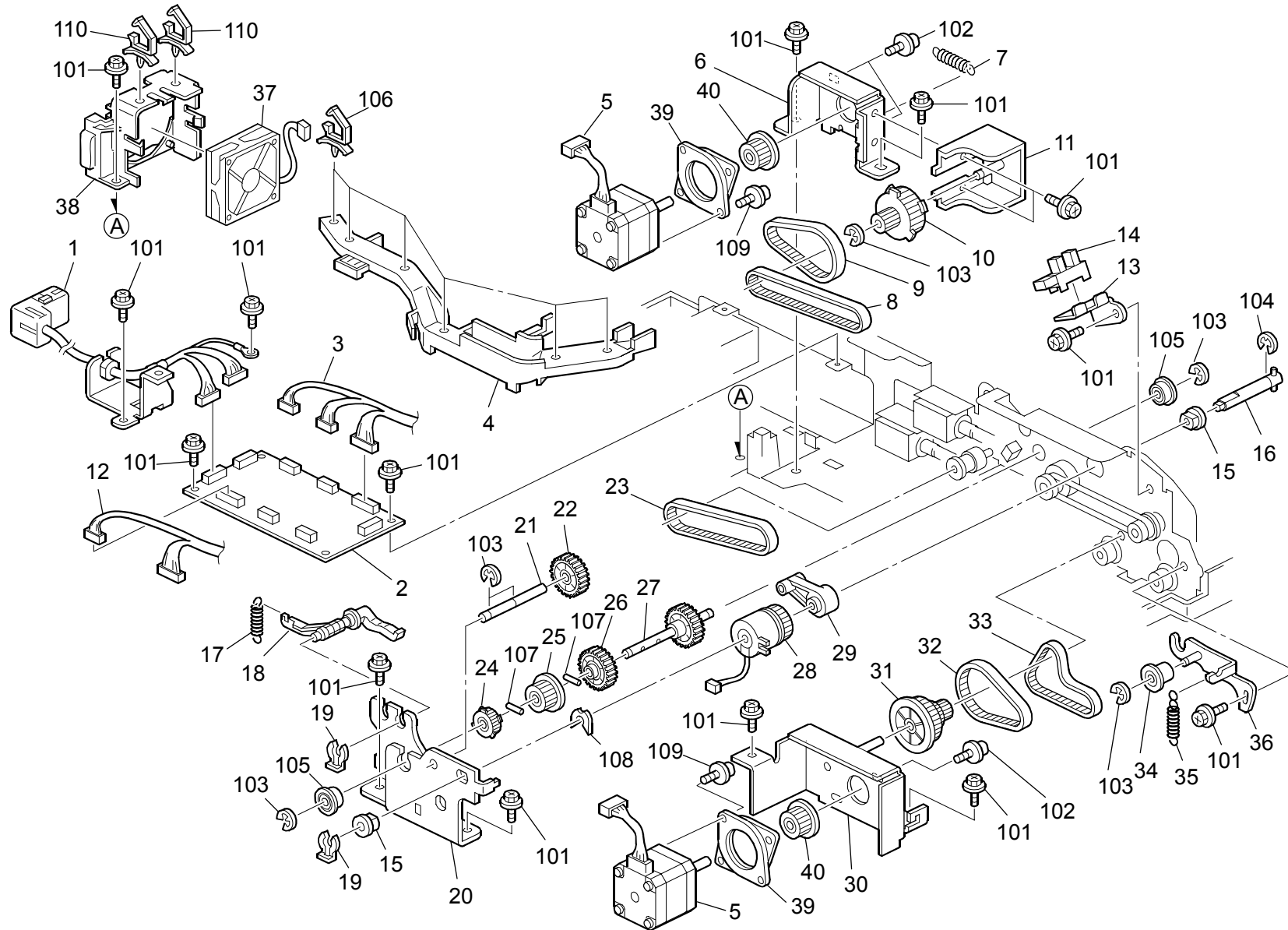


5.Original Exit (D541)

Index No.	Part No.	Description	Q'ty Per Assembly
1	B789 3219	Entrance Guide Plate - Upper	1
2	AW01 0109	Photo Reflection Sensor:PS117ED1	1
3	B789 1925	Compression Spring - Exit Driven	1
4	AW02 0141	Photointerruptor	4
5	D541 5415	Harness:Sensor:Paper Size Sensor:Connecting	1
6	GW01 0007	Photo Reflection Sensor:Exit	1
7	B789 1342	Bracket:Sensor:Stopper Guide	1
8	B789 1322	Spring Plate - Exposure Glass	2
9	B789 3152	Pull Out Roller	1
10	B789 2411	Original Stopper	1
11	B789 3713	Reverse Gate Pawl	1
12	B789 3718	Gate Pawl Cushion - Small	1
13	D366 3141	Reverse Roller - Drive	1
14	B789 3716	Tension Spring - Gate Pawl	1
15	B789 3721	Lever:Gate Pawl:Reverse	1
16	B789 4411	DC Solenoid DC24V	1
17	AA08 2101	Bushing - 6x10x6	2
18	B789 4261	Timing Pulley - 28T	1
19	B789 2431	Original Stopper Hook	1
20	B789 2365	Release Lever:Stopper	1
21	5447 2681	Snap Ring	2
22	D366 4455	DC Solenoid - Pick-Up	1
23	B789 2436	Tension Spring - Stopper	1
24	D366 4242	Torque Limiter - 24T	1
25	B789 4257	Pulley Flange	1
26	B789 1343	Spring Plate:Sensor:Stopper Guide	1
27	D366 2416	Pad:Stopper:Original	4
28	B789 1151	Stay:Left	1
29	B789 1121	Side Plate:Front	1
30	D541 1952	Ground Plate:Cover	1

Index No.	Part No.	Description	Q'ty Per Assembly
101	0454 3006Q	Tapping Screw - M3x6	
102	0353 0040N	Screw - M3x4	
103	0742 3808	Ball Bearing - 8x16x5	
104	0451 3006N	Tapping Screw - 3x6	
105	0720 0060E	Retaining Ring - M6	
106	0720 0040E	Retaining Ring - M4	
107	0805 0089	Retaining Ring - M4	
108	1105 0619	Clamp:LBWS-0605S-V0	

6. Drive Section (D541)

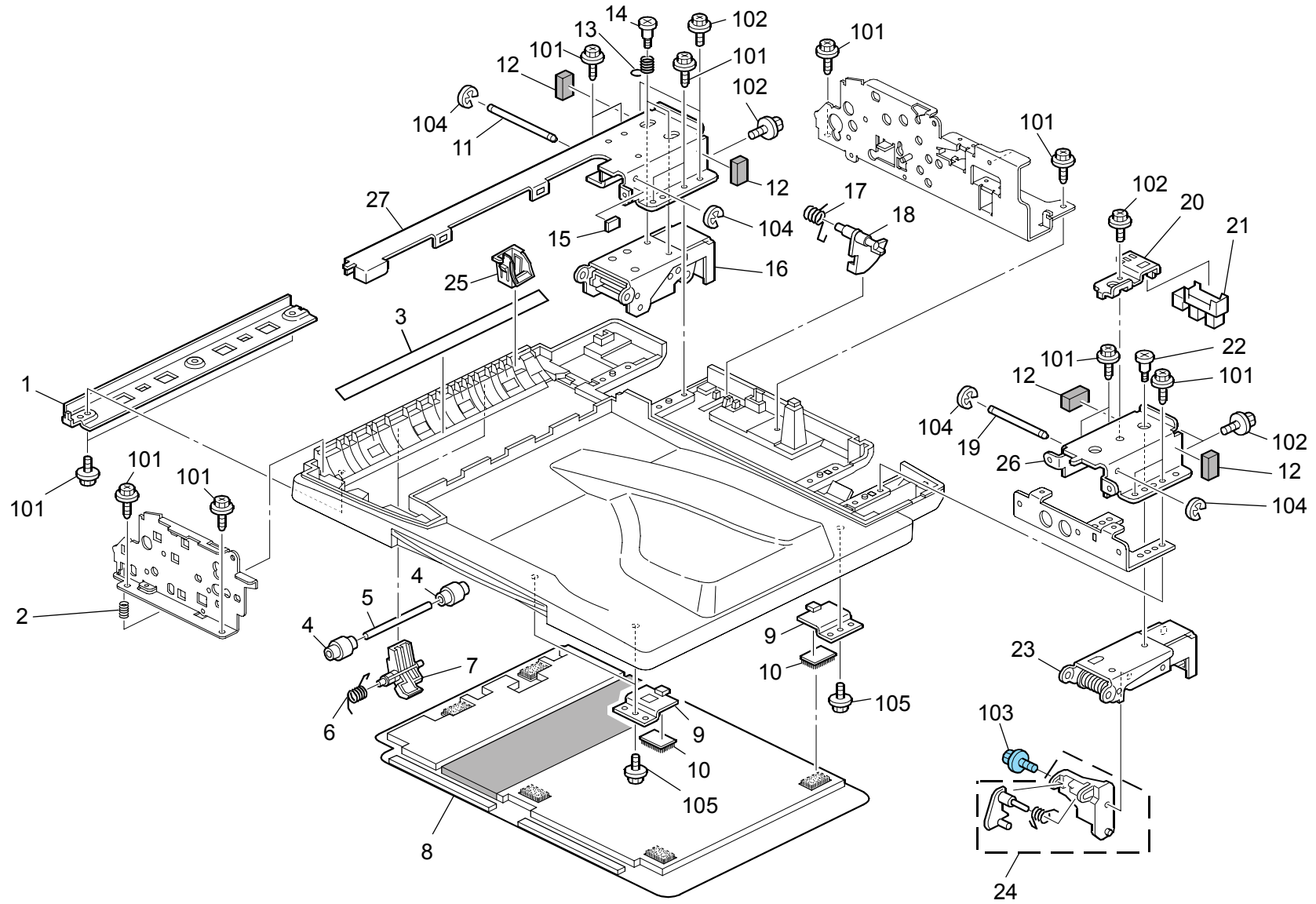


6. Drive Section (D541)

Index No.	Part No.	Description	Q'ty Per Assembly
1	D541 5550	Harness:Interface:Ass'y	1
2	D541 5100	PCB:Main Control:Ass'y	1
3	D541 5400	Harness:Sensor:Registration	1
4	D541 5751	Guide:Harness	1
5	AX05 0334	DC Stepper Motor:4.2W	2
6	B789 4112	Bracket - Paper Feed Motor	1
7	B789 4119	Tension Spring - Motor Bracket	1
8	AA04 3622	Timing Belt - B60S2M230	1
9	AA04 3631	Timing Belt - B60S2M168	1
10	B789 4221	Timing Pulley - 20T/48T	1
11	B789 4115	Bracket - Paper Feed Motor	1
12	D541 5405	Harness:DC Stepper Motor:Transport	1
13	B789 1321	Bracket - On Off Detector	1
14	AW02 0141	Photointerruptor	1
15	5304 1639	Bushing - 8mm	2
16	D366 4215	Shaft:Magnetic Clutch:Ass'y	1
17	B789 2357	Tension Spring - Stopper	1
18	B789 2351	Pickup Lever	1
19	5447 2681	Snap Ring	2
20	B789 4212	Magnetic Clutch Bracket	1
21	B789 4276	Idler Gear Shaft	1
22	D366 4264	Gear - 27Z	1
23	AA04 3623	Timing Belt - B40S2M180	1
24	B789 4236	Timing Pulley - 26T	1
25	B789 4237	Timing Pulley - 28T	1
26	D366 4265	Gear - 30Z	1
27	D366 4268	Gear Shaft	1
28	AX21 0102	Magnetic Clutch - 30Z	1
29	B789 4219	Reversal Stopper - Paper Feed	1
30	B789 4141	Transport Motor Bracket	1
31	B789 4321	Timing Pulley - 30T/48T	1
32	AA04 3652	Timing Belt - B60S2M130	1
33	AA04 3625	Timing Belt - 122ST1.5-8.0	1
34	B789 4332	Pulley - 34T	1
35	B789 4329	Tension Spring - Tightener	1

Index No.	Part No.	Description	Q'ty Per Assembly
36	B789 4325	Tightener	1
37	AX64 0213	Fan Motor:DC:2.6W	1
38	D541 1511	Bracket:DC Fan Motor	1
39	B789 5990	Motor Cushion	2
40	A548 2111	Timing Pulley - 20Z	2
101	0451 3006N	Tapping Screw - 3x6	
102	0951 3006N	Screw - M3x6	
103	0720 0040E	Retaining Ring - M4	
104	0720 0060E	Retaining Ring - M6	
105	0741 3506	Ball Bearing - 6x12x4 MM	
106	1105 0508	Harness Clamp - LWS-0711	
107	0632 0120G	Parallel Pin - 2x12	
108	0805 0088	Retaining Ring - M6	
109	0313 0050N	Philips Pan Head Screw - M3x5	
110	1105 0519	Clamp - LWS-05	

7.Frame Section (D541)

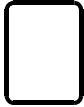
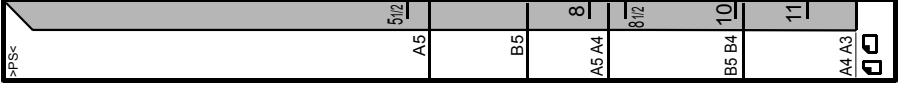
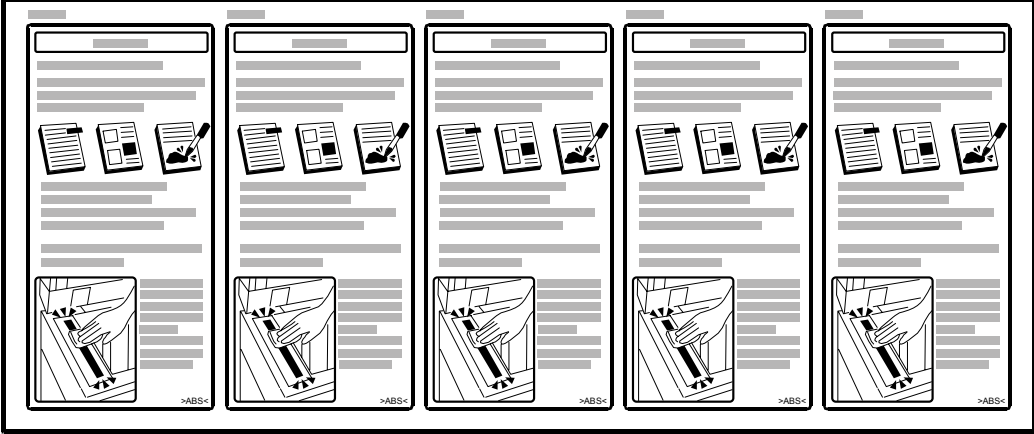
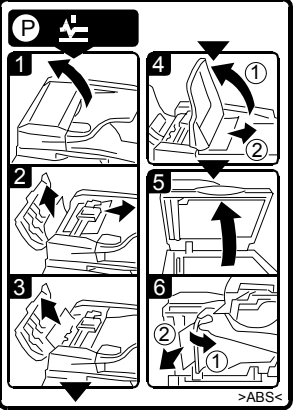
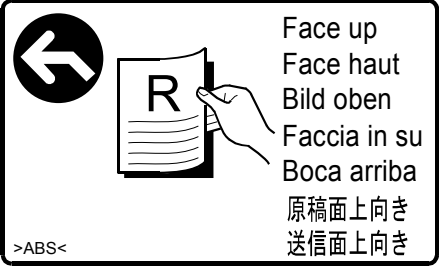
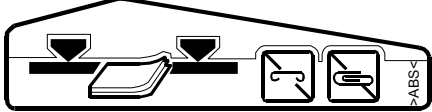


7.Frame Section (D541)

Index No.	Part No.	Description	Q'ty Per Assembly
1	B789 1912	Cover - Entrance Guide Plate	1
2	B789 1925	Compression Spring - Exit Driven	1
3	B789 1913	Sheet - Scanning Entrance	1
4	B789 3472	Scanning Driven Roller	4
5	B789 3492	Shaft - Driven Entrance	2
6	B789 1920	Torsion Spring - Entrance Driven	2
7	B789 1919	Lever - Entrance Driven	2
8	B789 3620	Pressure Plate Ass'y	1
9	B789 1926	Pressure Plate Spacer	3
10	B351 4322	Tape - Platen Sheet	3
11	B789 1231	Shaft Hinge- Left	1
12	B789 6511	Cushion - Rear Small	4
13	B789 1241	Compression Spring	2
14	AA14 3842	Screw:Dia6:14.5:M4	2
15	B789 3717	Gate Pawl Cushion	1
16	D366 1271	Left Hinge	1
17	B387 1951	Spring - Paper Size Sensor	1
18	B789 1942	Paper Size Sensor Feeler	1
19	B789 1232	Shaft Hinge - Right	1
20	B789 1311	Bracket - On Off Detector	1
21	AW02 0203	Photointerruptor:GP1A173LCS2F	1
22	AA14 3129	Shoulder Screw - Front Cover	1
23	B789 1222	Hinge:Right	1
24	B789 1250	On Off Detector:Document Feeder:Ass'y	1
25	B789 1943	Cap:Registration Sensor:Base	1
26	B789 1141	Bracket:Hinge:Right	1
27	B789 1131	Bracket:Hinge:Left	1

Index No.	Part No.	Description	Q'ty Per Assembly
101	0450 3008N	Tapping Screw - M3x8	
102	0451 3006N	Tapping Screw - 3x6	
103	0454 3006Q	Tapping Screw - M3x6	
104	0720 0030E	Retaining Ring - M3	
105	0450 4008N	Tapping Screw - M4x8	

8. Decals And Documents (D541)

<p>1</p> 	<p>2</p> 	
<p>3</p> 		
<p>4</p> 	<p>5</p> 	<p>6</p> 

8.Decals And Documents (D541)

Index No.	Part No.	Description	Q'ty Per Assembly
1	A054 2977	Decal - Vertical Transport Guide	1
2	D501 4406	Decal:Size:Original	1
3	B802 6379	Decal:Caution:Original:5-Lang	1
4	B789 6011	Decal - Misfeed Removal	1
5	B789 6031	Decal - Original Table	1
6	B789 6041	Decal - Side Fence	1

Index No.	Part No.	Description	Q'ty Per Assembly

Parts Index

PM Parts Index

Section Name	Part No.	Description in Service Manual	Description in Parts Catalog	Q'ty Per Assembly	Page and Index No.
Original Feed Section 1 (D541)	B387 2161	Pickup Roller	Pickup Roller	1	5 - 20
	D541 2121	Paper Feed Belt	Paper Feed Belt	1	5 - 31
Original Feed Section 2 (D541)	D541 2241	Reverse Roller:Paper Feed	Reverse Roller:Paper Feed	1	7 - 14

Parts Index

Part No.	Description	Page and Index No.
D541 1511	Bracket:DC Fan Motor	13 - 38
D541 1952	Ground Plate:Cover	11 - 30
D541 2100	Paper Feed Unit	5 - 14
D541 2111	Shaft:Paper Feed:Drive	5 - 35
D541 2121	Paper Feed Belt	5 - 31
D541 2210	Shaft:Reverse:Press Fit	7 - 16
D541 2241	Reverse Roller:Paper Feed	7 - 14
D541 5100	PCB:Main Control:Ass'y	13 - 2
D541 5400	Harness:Sensor:Registration	13 - 3
D541 5405	Harness:DC Stepper Motor:Transport	13 - 12
D541 5410	Harness:Sensor:Original Tray	3 - 12
D541 5415	Harness:Sensor:Paper Size Sensor:Connecting	11 - 5
D541 5420	Harness:Sensor:Exit:Connecting	9 - 19
D541 5425	Harness:Sensor:Set Sensor:Connecting	7 - 21
D541 5550	Harness:Interface:Ass'y	13 - 1
D541 5751	Guide:Harness	13 - 4

Part No.	Description	Page and Index No.
A054 2977	Decal - Vertical Transport Guide	17 - 1
A054 2977	Decal - Vertical Transport Guide	9 - 12
A294 6700	Torque Limiter - 53MNxM	7 - 15
A376 4599	Side Fence Pad	3 - 2
A548 2111	Timing Pulley - 20Z	13 - 40
A548 6111	Screw:Positioning:Hinge	3 - 21
A628 1225	Bushing - 8MM	5 - 28
A858 4671	Roller Driven	7 - 27
A858 4671	Roller Driven	3 - 7
A859 2112	Drive Shaft - Paper Feed Belt	5 - 38
A859 2121	Gear - 22Z	5 - 32
A859 2167	Gear - 22Z	5 - 15
A859 2319	Base Cushion	5 - 40
A859 2352	Pressure Plate Pad	7 - 7
B351 4322	Tape - Platen Sheet	9 - 25
B351 4322	Tape - Platen Sheet	15 - 10
B386 3320	Spring:Belt:Paper Feed:8N	5 - 37
B387 1221	Exit Grounding Plate	9 - 33
B387 1951	Spring - Paper Size Sensor	15 - 17
B387 2113	Roller - Paper Feed Belt	5 - 39
B387 2161	Pickup Roller	5 - 20
B387 2316	Cushion:Stopper Pawl	7 - 18
B387 2316	Cushion:Stopper Pawl	3 - 23
B387 2316	Cushion:Stopper Pawl	5 - 7
B387 3414	Shield - Transmitted Rubber Stamp	9 - 23
B789 1121	Side Plate:Front	11 - 29
B789 1131	Bracket:Hinge:Left	15 - 27
B789 1141	Bracket:Hinge:Right	15 - 26
B789 1151	Stay:Left	11 - 28
B789 1161	Stay:Separation	7 - 29
B789 1222	Hinge:Right	15 - 23
B789 1231	Shaft Hinge- Left	15 - 11
B789 1232	Shaft Hinge - Right	15 - 19
B789 1241	Compression Spring	15 - 13
B789 1250	On Off Detector:Document Feeder:Ass'y	15 - 24

Part No.	Description	Page and Index No.
B789 1311	Bracket - On Off Detector	15 - 20
B789 1321	Bracket - On Off Detector	13 - 13
B789 1322	Spring Plate - Exposure Glass	11 - 8
B789 1331	Original Sensor Bracket	7 - 19
B789 1336	Sensor Harness Guide	7 - 11
B789 1342	Bracket:Sensor:Stopper Guide	11 - 7
B789 1343	Spring Plate:Sensor:Stopper Guide	11 - 26
B789 1912	Cover - Entrance Guide Plate	15 - 1
B789 1913	Sheet - Scanning Entrance	15 - 3
B789 1919	Lever - Entrance Driven	15 - 7
B789 1920	Torsion Spring - Entrance Driven	15 - 6
B789 1925	Compression Spring - Exit Driven	11 - 3
B789 1925	Compression Spring - Exit Driven	15 - 2
B789 1926	Pressure Plate Spacer	15 - 9
B789 1942	Paper Size Sensor Feeler	15 - 18
B789 1943	Cap:Registration Sensor:Base	15 - 25
B789 2114	Paper Feed Belt Roller	5 - 30
B789 2115	Belt Holder	5 - 36
B789 2131	Paper Feed Guide - Rear	5 - 34
B789 2132	Paper Feed Guide - Front	5 - 27
B789 2134	Pick-Up Arm	5 - 33
B789 2151	Pickup Holder	5 - 17
B789 2161	Pickup Roller Shaft	5 - 18
B789 2163	Collar:Pickup	5 - 21
B789 2164	Timing Pulley:Pickup:S2M	5 - 22
B789 2181	Torsion Spring - Pickup	5 - 29
B789 2311	Guide Plate - Paper Feed	7 - 10
B789 2312	Cover - Reverse	7 - 4
B789 2317	Spring Plate - Exit Upper	7 - 26
B789 2322	Reverse Guide Plate	7 - 3
B789 2351	Pickup Lever	13 - 18
B789 2357	Tension Spring - Stopper	13 - 17
B789 2365	Release Lever:Stopper	11 - 20
B789 2371	Pickup Guide	7 - 9
B789 2372	Guide Pickup	7 - 8

Part No.	Description	Page and Index No.
B789 2381	Pickup Receive Plate	7 - 5
B789 2386	Compression Spring - Pickup	7 - 6
B789 2411	Original Stopper	11 - 10
B789 2431	Original Stopper Hook	11 - 19
B789 2436	Tension Spring - Stopper	11 - 23
B789 3110	Entrance Transport Roller	9 - 2
B789 3120	Exit Transport Roller	9 - 3
B789 3126	Timing Pulley - 25T	9 - 29
B789 3131	Timing Pulley - 20T	9 - 31
B789 3136	Gear - 20Z	9 - 7
B789 3137	Gear - 24Z	9 - 8
B789 3146	Spring Plate - Driven Roller	3 - 6
B789 3152	Pull Out Roller	11 - 9
B789 3211	Guide Plate:Pull Out	7 - 1
B789 3213	Feeler - Paper Size Sensor	7 - 2
B789 3219	Entrance Guide Plate - Upper	11 - 1
B789 3220	Exit Guide Plate - Upper	9 - 9
B789 3221	Guide Plate - Lower Reverse	9 - 1
B789 3223	Discharge Brush - Exit	9 - 10
B789 3226	Guide Plate - Upper Reverse	7 - 28
B789 3315	Driven Roller Bracket	5 - 6
B789 3321	Guide Plate - Driven Roller	5 - 12
B789 3326	Driven Roller	5 - 11
B789 3331	Compression Spring - Driven Roller	5 - 10
B789 3417	Spring Plate - Exit Driven	9 - 20
B789 3418	Spring Plate - Exit Driven Auxiliary	9 - 21
B789 3426	Tension Spring - Open And Close	9 - 22
B789 3431	Cover - Exit Guide Plate	9 - 24
B789 3432	Exit Guide Plate	9 - 11
B789 3472	Scanning Driven Roller	15 - 4
B789 3472	Scanning Driven Roller	9 - 14
B789 3491	Scanning Driven Shaft	9 - 17
B789 3492	Shaft - Driven Entrance	15 - 5
B789 3493	Driven Exit Shaft	9 - 15
B789 3510	Exposure Glass Guide	9 - 5

Part No.	Description	Page and Index No.
B789 3620	Pressure Plate Ass'y	15 - 8
B789 3712	Exit Driven Roller	9 - 16
B789 3713	Reverse Gate Pawl	11 - 11
B789 3716	Tension Spring - Gate Pawl	11 - 14
B789 3717	Gate Pawl Cushion	15 - 15
B789 3718	Gate Pawl Cushion - Small	11 - 12
B789 3721	Lever:Gate Pawl:Reverse	11 - 15
B789 4112	Bracket - Paper Feed Motor	13 - 6
B789 4115	Bracket - Paper Feed Motor	13 - 11
B789 4119	Tension Spring - Motor Bracket	13 - 7
B789 4141	Transport Motor Bracket	13 - 30
B789 4212	Magnetic Clutch Bracket	13 - 20
B789 4219	Reversal Stopper - Paper Feed	13 - 29
B789 4221	Timing Pulley - 20T/48T	13 - 10
B789 4236	Timing Pulley - 26T	13 - 24
B789 4237	Timing Pulley - 28T	13 - 25
B789 4257	Pulley Flange	11 - 25
B789 4257	Pulley Flange	7 - 24
B789 4261	Timing Pulley - 28T	11 - 18
B789 4276	Idler Gear Shaft	13 - 21
B789 4321	Timing Pulley - 30T/48T	13 - 31
B789 4325	Tightener	13 - 36
B789 4329	Tension Spring - Tightener	13 - 35
B789 4332	Pulley - 34T	13 - 34
B789 4411	DC Solenoid DC24V	11 - 16
B789 4620	Original Table - Face Front	3 - 8
B789 4641	Cover:Original Table	3 - 3
B789 4651	Side Fence	3 - 1
B789 4660	Original Insert Guide	3 - 15
B789 4671	Original Sensor Feeler	3 - 16
B789 4711	Front Cover	3 - 5
B789 4762	Rear Cover	3 - 17
B789 4872	Original Sensor Feeler Holder	5 - 8
B789 4873	Positioning Plate - Front	5 - 4
B789 4874	Positioning Plate - Rear	5 - 5

Part No.	Description	Page and Index No.
B789 5006	DC Solenoid DC24V	9 - 13
B789 5990	Motor Cushion	13 - 39
B789 6011	Decal - Misfeed Removal	17 - 4
B789 6011	Decal - Misfeed Removal	5 - 1
B789 6031	Decal - Original Table	17 - 5
B789 6031	Decal - Original Table	3 - 4
B789 6041	Decal - Side Fence	3 - 13
B789 6041	Decal - Side Fence	17 - 6
B789 6511	Cushion - Rear Small	15 - 12
B789 6514	Damping Insulation:Cover:Rear	3 - 18
B830 3115	Timing Belt:B40S2M142	9 - 32
D366 1271	Left Hinge	15 - 16
D366 2142	Feeler:Original Sensor	5 - 9
D366 2416	Pad:Stopper:Original	11 - 27
D366 3131	Transport Roller - Exit	9 - 6
D366 3141	Reverse Roller - Drive	11 - 13
D366 4215	Shaft:Magnetic Clutch:Ass'y	13 - 16
D366 4242	Torque Limiter - 24T	11 - 24
D366 4264	Gear - 27Z	13 - 22
D366 4265	Gear - 30Z	13 - 26
D366 4266	Gear - 30Z	7 - 25
D366 4268	Gear Shaft	13 - 27
D366 4269	Gear & Pulley - 32Z/30T	7 - 22
D366 4455	DC Solenoid - Pick-Up	11 - 22
D366 4843	Cover:Paper Feed	5 - 3
D366 4849	Cushion - Pick-Up Arm	5 - 42
D366 4861	Cushion - Paper Feed Cover	5 - 41
D501 4406	Decal:Size:Original	17 - 2
D501 4406	Decal:Size:Original	5 - 2
G412 3831	Pulley - 22Z	5 - 16
H511 5007	Stamp	3 - 20

Part No.	Description	Page and Index No.
AA04 3620	Timing Belt - 40S2M102	5 - 23
AA04 3622	Timing Belt - B60S2M230	13 - 8
AA04 3623	Timing Belt - B40S2M180	13 - 23
AA04 3623	Timing Belt - B40S2M180	7 - 23
AA04 3625	Timing Belt - 122ST1.5-8.0	13 - 33
AA04 3631	Timing Belt - B60S2M168	13 - 9
AA04 3652	Timing Belt - B60S2M130	13 - 32
AA06 3435	Compression Spring:Paper Feed:Joint	5 - 26
AA08 2101	Bushing - 6x10x6	7 - 17
AA08 2101	Bushing - 6x10x6	11 - 17
AA08 2101	Bushing - 6x10x6	9 - 27
AA08 2144	Bushing - 8x12x7	9 - 30
AA08 2144	Bushing - 8x12x7	5 - 24
AA13 2013	Spacer	5 - 25
AA14 3129	Shoulder Screw - Front Cover	15 - 22
AA14 3379	Stepped Screw	9 - 34
AA14 3788	Pin:Guide Plate:Paper Feed	5 - 13
AA14 3788	Pin:Guide Plate:Paper Feed	9 - 26
AA14 3842	Screw:Dia6:14.5:M4	15 - 14
AG07 0513	Magnet Catch	7 - 12
AG07 0513	Magnet Catch	3 - 10
AW01 0109	Photo Reflection Sensor:PS117ED1	9 - 18
AW01 0109	Photo Reflection Sensor:PS117ED1	11 - 2
AW01 0129	Paper Feed Sensor	3 - 11
AW02 0141	Photointerruptor	7 - 20
AW02 0141	Photointerruptor	11 - 4
AW02 0141	Photointerruptor	3 - 14
AW02 0141	Photointerruptor	13 - 14
AW02 0203	Photointerruptor:GP1A173LCS2F	15 - 21
AX05 0334	DC Stepper Motor:4.2W	13 - 5
AX21 0102	Magnetic Clutch - 30Z	13 - 28
AX64 0213	Fan Motor:DC:2.6W	13 - 37
GW01 0007	Photo Reflection Sensor:Exit	11 - 6

Part No.	Description	Page and Index No.
0313 0050N	Philips Pan Head Screw - M3x5	13 - 109
0353 0040N	Screw - M3x4	11 - 102
0450 3008N	Tapping Screw - M3x8	3 - 102
0450 3008N	Tapping Screw - M3x8	5 - 101
0450 3008N	Tapping Screw - M3x8	15 - 101
0450 3008N	Tapping Screw - M3x8	9 - 101
0450 4008N	Tapping Screw - M4x8	15 - 105
0451 3006N	Tapping Screw - 3x6	15 - 102
0451 3006N	Tapping Screw - 3x6	13 - 101
0451 3006N	Tapping Screw - 3x6	11 - 104
0451 3006N	Tapping Screw - 3x6	3 - 101
0451 3006N	Tapping Screw - 3x6	7 - 101
0454 3006Q	Tapping Screw - M3x6	9 - 104
0454 3006Q	Tapping Screw - M3x6	11 - 101
0454 3006Q	Tapping Screw - M3x6	15 - 103
0632 0120G	Parallel Pin - 2x12	13 - 107
0632 0120G	Parallel Pin - 2x12	7 - 103
0632 0120G	Parallel Pin - 2x12	5 - 104
0720 0030E	Retaining Ring - M3	15 - 104
0720 0040E	Retaining Ring - M4	9 - 102
0720 0040E	Retaining Ring - M4	7 - 102
0720 0040E	Retaining Ring - M4	11 - 106
0720 0040E	Retaining Ring - M4	5 - 102
0720 0040E	Retaining Ring - M4	13 - 103
0720 0060E	Retaining Ring - M6	11 - 105
0720 0060E	Retaining Ring - M6	5 - 103
0720 0060E	Retaining Ring - M6	9 - 103
0720 0060E	Retaining Ring - M6	13 - 104
0741 3506	Ball Bearing - 6x12x4 MM	13 - 105
0742 3808	Ball Bearing - 8x16x5	11 - 103
0805 0088	Retaining Ring - M6	13 - 108
0805 0089	Retaining Ring - M4	11 - 107
0951 3006N	Screw - M3x6	13 - 102
1105 0508	Harness Clamp - LWS-0711	13 - 106
1105 0519	Clamp - LWS-05	13 - 110

Part No.	Description	Page and Index No.
1105 0619	Clamp:LBWS-0605S-V0	11 - 108

Part No.	Description	Page and Index No.
5206 2686	Snap Ring	9 - 4
5215 2621	Snap Ring - M6	3 - 9
5304 1639	Bushing - 8mm	13 - 15
5447 2681	Snap Ring	5 - 19
5447 2681	Snap Ring	7 - 13
5447 2681	Snap Ring	9 - 28
5447 2681	Snap Ring	11 - 21
5447 2681	Snap Ring	13 - 19