

**Color Controller E-3200
(D557)**

Color Controller E-3200 (D557)

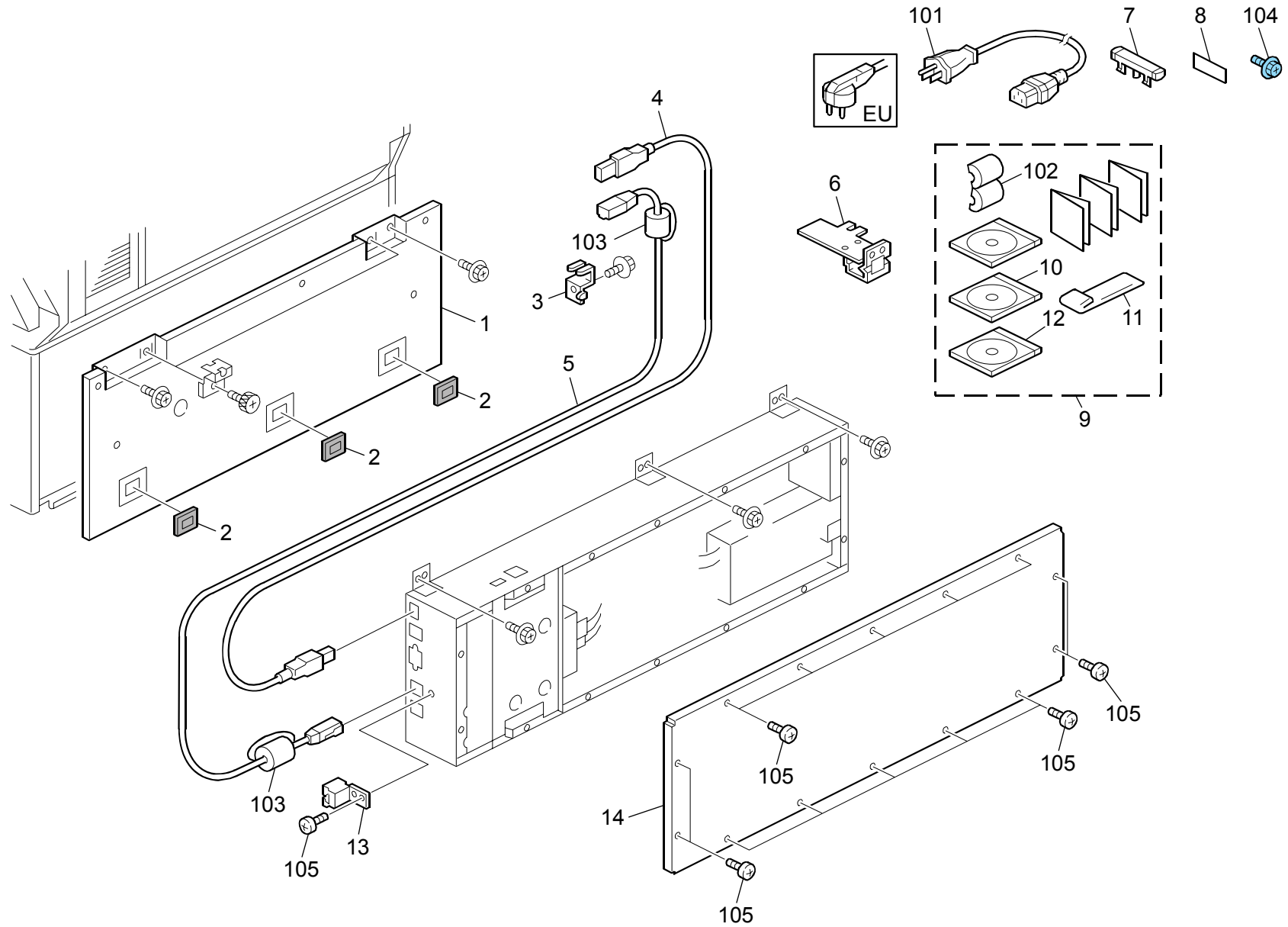
PARTS CATALOG

This catalog gives the numbers and names of parts on this machine.

1.Controller 1 (D557)	2
2.Controller 2 (D557)	4
Parts Index	8

December 13, 2010

1.Controller 1 (D557)

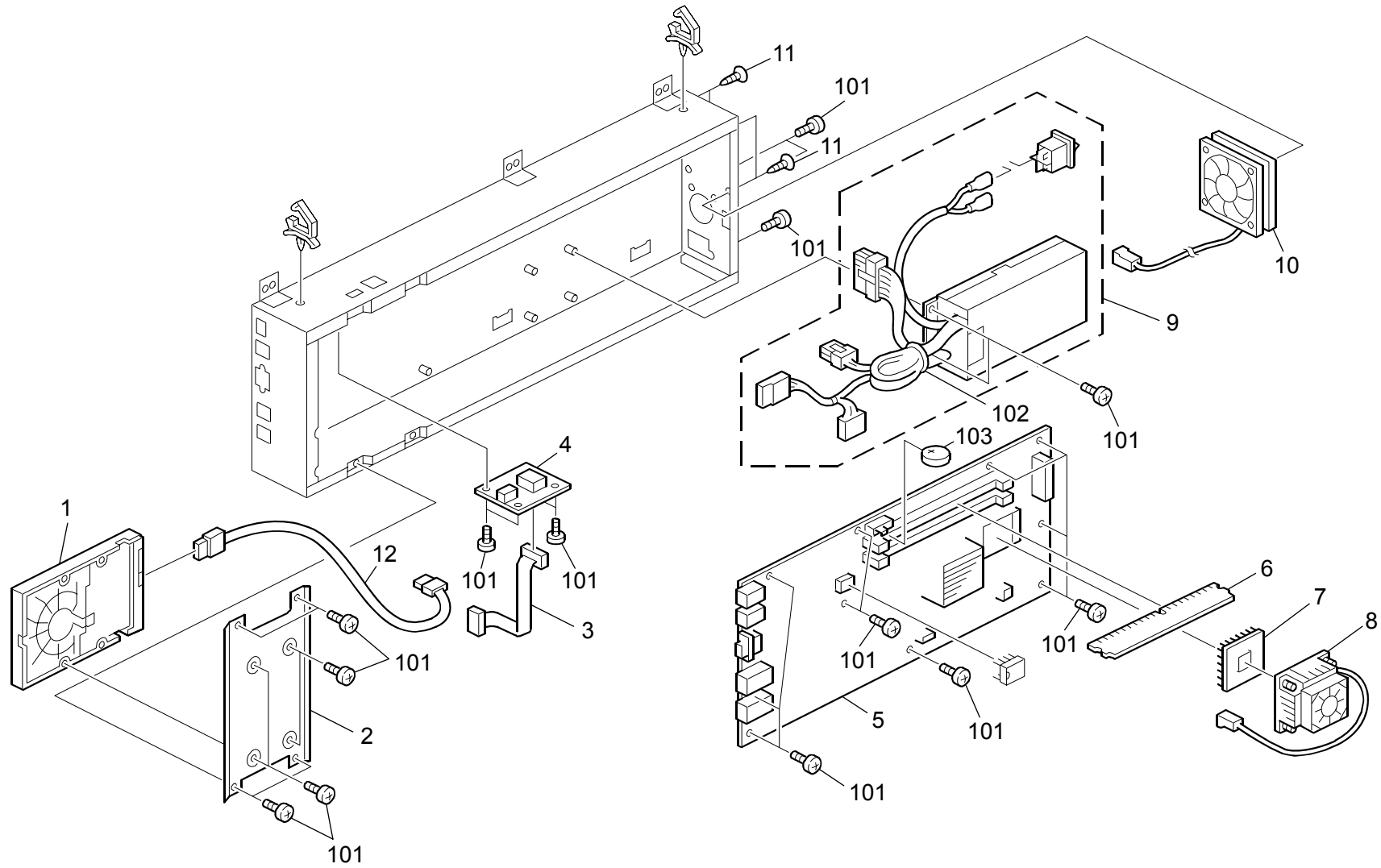


1.Controller 1 (D557)

Index No.	Part No.	Description	Q'ty Per Assembly
1	D000 5073	Cover:Rear Bracket	1
2	D000 5101	Cushion:Cover:Rear	3
3	D377 5852	Bracket:NIC:VC2:Engine	1
4	D029 5713	Cable:USB:1.3m	1
5	D029 5714	Cable:NIC:1.6m:GIGA	1
6	G178 6036	PCB:GIGAETHERNET:PCIE	1
7	B237 1545	Keytop:EFI-A	1
8	D450 1053	Decal:Fiery:Server:ENG	1
9	D557 6710	Media Pack:2pcs DVD/1pc CD:EFIGSD	1
10	D557 6730	DVD-ROM:User Soft:ATC2.5:EXP	1
11	G815 6607	Pack:Gray_Scale_Kit	1
12	D557 6770	DVD-ROM:-R:SYS_AT_C2.5:EXP	1
13	5K53 0650	Bracket:NIC:VC2:EFI_CNT:Ass'y	1
14	5K53 0740	Cover:EFI_A2	1

Index No.	Part No.	Description	Q'ty Per Assembly
101	1150 0373	Power Supply Code:125V 15A NA	
101	1150 0377	Power Supply Code:250V:10A:EU	
102	1607 1092	Ferrite Core:RFC-10	
103	1607 1461	Ferrite Core	
104	0454 3006Q	Tapping Screw - M3x6	
105	0353 0040N	Screw - M3x4	

2.Controller 2 (D557)



2.Controller 2 (D557)

Index No.	Part No.	Description	Q'ty Per Assembly
1	5K53 0257	HDD:HDS721680PLA380:ROHS	1
2	5K53 0745	Bracket:HDD:EFI_A2	2
3	5K53 0604	Cable:16P:IDC:8_Inch	1
4	5K53 0252	PCB:7Segment_LED:ROHS	1
5	D479 0601	Mother Board:W/O:EFI_A2:Ass'y	1
6	5K53 0603	IC:DDR2:1GB:BUFFERD	1
7	5K53 0601	IC:CPU:CELEROM_M:1.86GHZ	1
8	5K53 0714	Fan:CPU:Cofan:30-1153-03	1
9	5K53 0700	Power Supply Unit:SP1220LE-EFI-R1	1
10	5K53 0712	Fan:Case:Cofan:F-8025HH12B	1
11	5K53 0040	Screw:Fan:4.88x10	4
12	5K53 0264	Cable:SATA:ROHS	1

Index No.	Part No.	Description	Q'ty Per Assembly
101	0353 0040N	Screw - M3x4	
102	1105 0042	Wire Band	
103	1206 0085	Primary Lithium Cell:CR2032	

Parts Index

Parts Index

Part No.	Description	Page and Index No.
D557 6710	Media Pack:2pcs DVD/1pc CD:EFIGSD	3 - 9
D557 6730	DVD-ROM:User Soft:ATC2.5:EXP	3 - 10
D557 6770	DVD-ROM:-R:SYS_AT_C2.5:EXP	3 - 12

Part No.	Description	Page and Index No.
B237 1545	Keytop:EFI-A	3 - 7
D000 5073	Cover:Rear Bracket	3 - 1
D000 5101	Cushion:Cover:Rear	3 - 2
D029 5713	Cable:USB:1.3m	3 - 4
D029 5714	Cable:NIC:1.6m:GIGA	3 - 5
D377 5852	Bracket:NIC:VC2:Engine	3 - 3
D450 1053	Decal:Fiery:Server:ENG	3 - 8
D479 0601	Mother Board:W/O:EFI_A2:Ass'y	5 - 5
G178 6036	PCB:GIGAETHERNET:PCIE	3 - 6
G815 6607	Pack:Gray_Scale_Kit	3 - 11

Part No.	Description	Page and Index No.
0353 0040N	Screw - M3x4	3 - 105
0353 0040N	Screw - M3x4	5 - 101
0454 3006Q	Tapping Screw - M3x6	3 - 104
1105 0042	Wire Band	5 - 102
1150 0373	Power Supply Code:125V 15A NA	3 - 101
1150 0377	Power Supply Code:250V:10A:EU	3 - 101
1206 0085	Primary Lithium Cell:CR2032	5 - 103
1607 1092	Ferrite Core:RFC-10	3 - 102
1607 1461	Ferrite Core	3 - 103

Part No.	Description	Page and Index No.
5K53 0040	Screw:Fan:4.88x10	5 - 11
5K53 0252	PCB:7Segment_LED:ROHS	5 - 4
5K53 0257	HDD:HDS721680PLA380:ROHS	5 - 1
5K53 0264	Cable:SATA:ROHS	5 - 12
5K53 0601	IC:CPU:CELEROM_M:1.86GHZ	5 - 7
5K53 0603	IC:DDR2:1GB:BμFFERD	5 - 6
5K53 0604	Cable:16P:IDC:8_Inch	5 - 3
5K53 0650	Bracket:NIC:VC2:EFI_CNT:Ass'y	3 - 13
5K53 0700	Power Supply Unit:SP1220LE-EFI-R1	5 - 9
5K53 0712	Fan:Case:Cofan:F-8025HH12B	5 - 10
5K53 0714	Fan:CPU:Cofan:30-1153-03	5 - 8
5K53 0740	Cover:EFI_A2	3 - 14
5K53 0745	Bracket:HDD:EFI_A2	5 - 2