

Fax Option Type C5501
(D545)

Fax Option Type C5501 (D545)

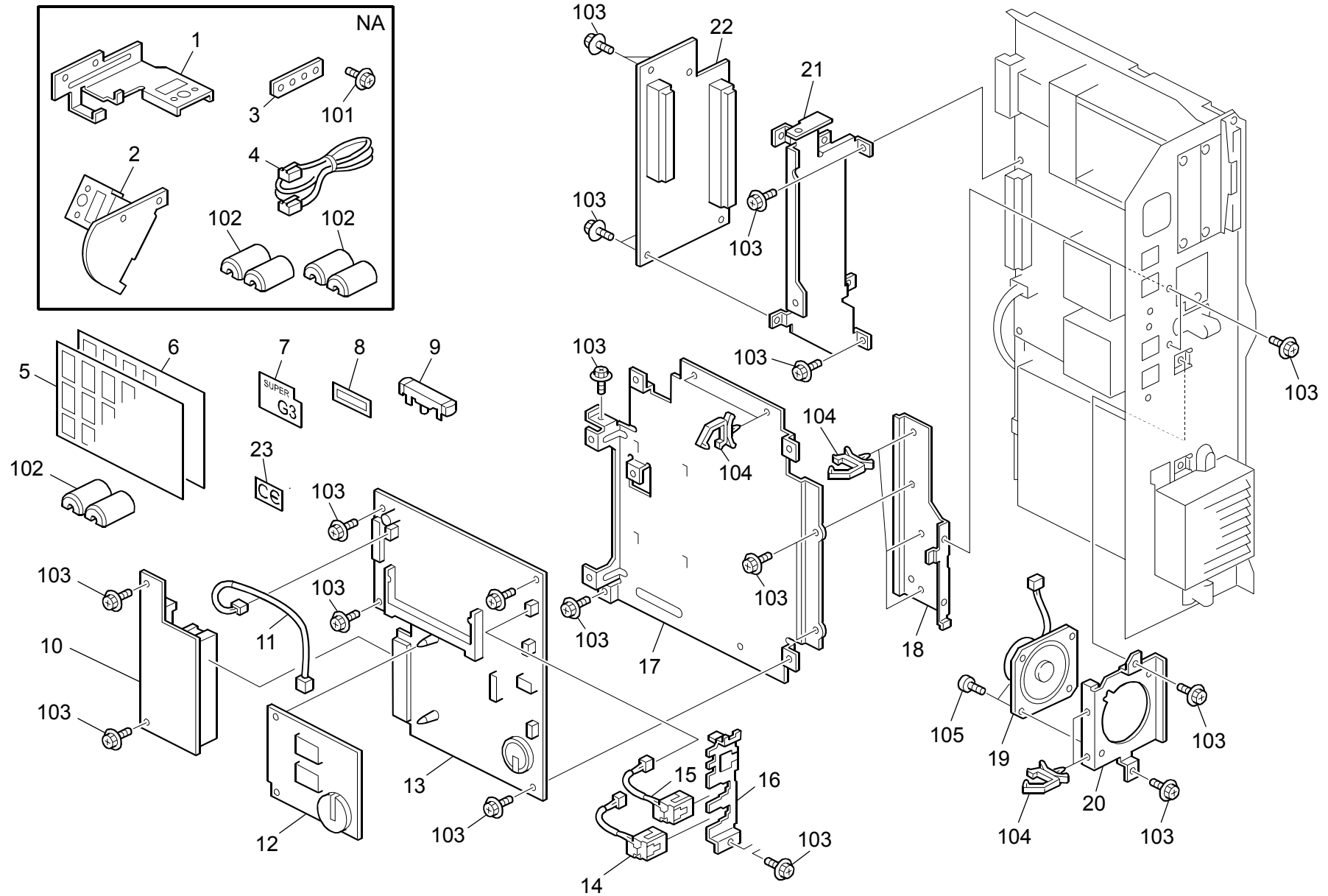
PARTS CATALOG

This catalog gives the numbers and names of parts on this machine.

1.Fax Option/Memory Unit (D545).....	2
2.G3 Interface Unit/Hand Set (D545)	4
Parts Index	8

October 28, 2010

1.Fax Option/Memory Unit (D545)



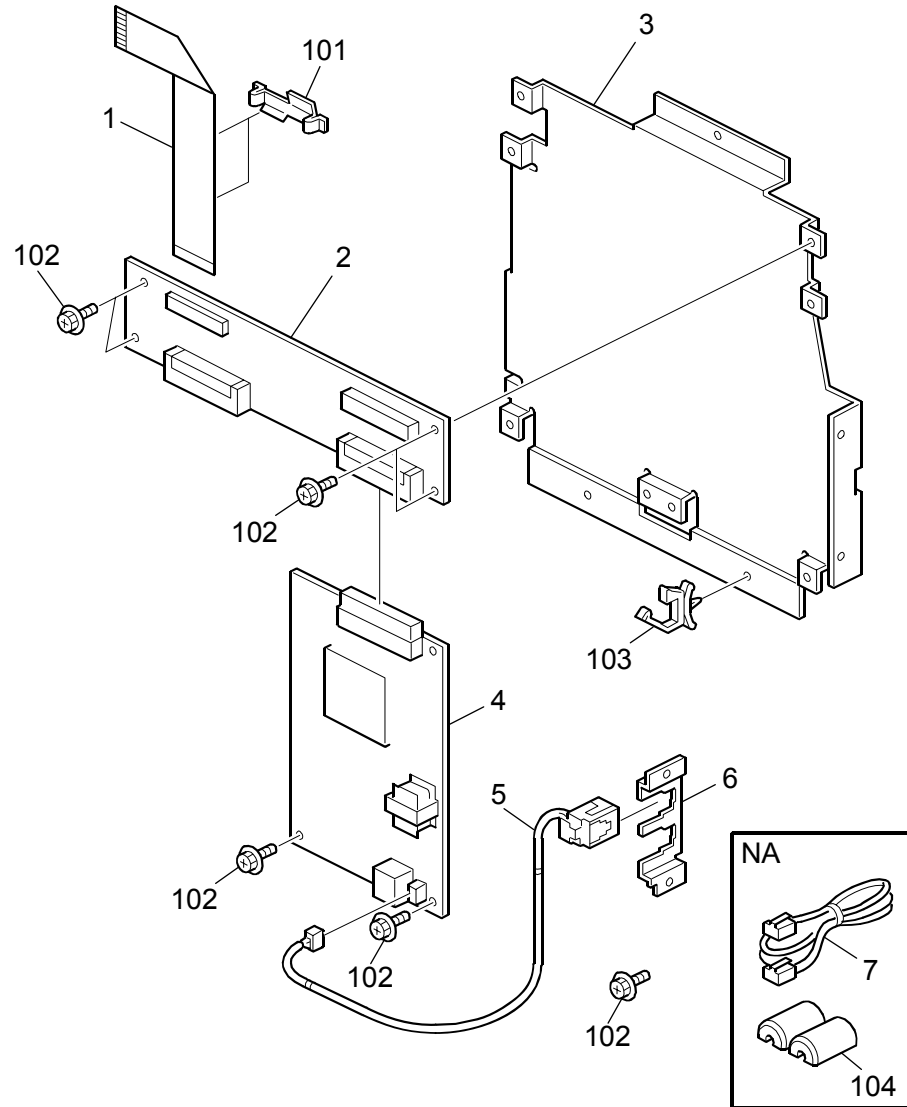
1.Fax Option/Memory Unit (D545)

Index No.	Part No.	Description	Q'ty Per Assembly
1	D393 5824	Bracket:Hand Set	1
2	B786 0529	Bracket:Hand Set	1
3	B223 1835	Bracket:Hand Set	1
4	H523 5350	Telephone Cable	1
5	B237 1543	Sheet:Display:Multi Language	1
6	B237 1546	Sheet:Data:Display:Many Languages:2	1
7	B404 3861	SG3 Decal	1
8	A514 1200	Decal:Serialnumber Sheet:FJI	1
9	B223 1530	Keytop:Trans:NA	1
9	B223 1536	Keytop:Trans:EU	1
10	B786 5740	FCUIF-A Board	1
11	D393 5230	Harness:Speaker:Connecting	1
12	D545 5180	PCB:MBU:Ass'y	1
13	D356 5132	GWFCU3 Board - NA	1
13	D356 5134	GWFCU3 Board - EU	1
13	D356 5136	PCB:GWFCU3:TWN:Ass'y	1
14	B771 5256	Harness - Modular-Tel NA	1
14	B771 5267	Harness - Modular-key Top-Tel EU	1
15	B771 5250	Harness - Modular-Line	1
15	B771 5262	Harness - Modular-Line EU	1
16	B771 0523	Bracket:Modular	1
17	D393 0581	Bracket:FCU	1
18	D393 0583	Bracket:Auxiliary:Fax Control Unit	1
19	B771 5050	Speaker	1
20	D393 0585	Bracket:Speaker	1
21	D393 0584	Bracket:Fax Control Unit:Connecting	1
22	D393 5743	PCB:GWFCU-IF2:Ass'y	1
23	G133 5777	Decal:CE:EU	1

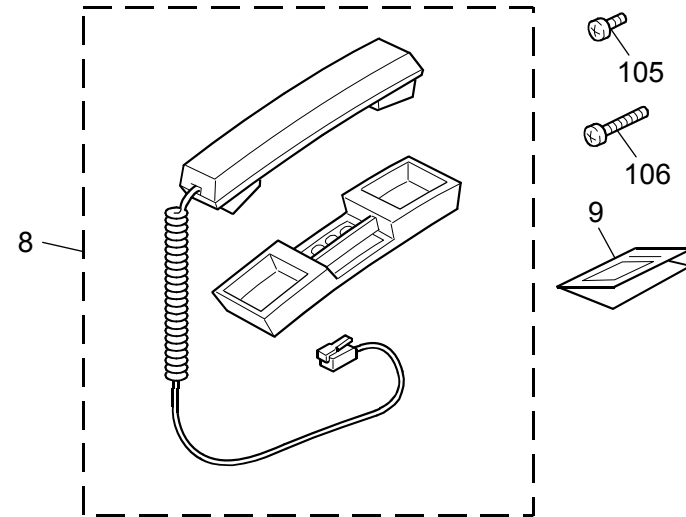
Index No.	Part No.	Description	Q'ty Per Assembly
101	0360 3006N	Screw - M3x6	
102	1607 2251	Ferrite Core:K3 NF-75(N)BK0	
103	0451 3006N	Tapping Screw - 3x6	
104	1105 0534	Clamp	
105	0353 0060N	Bind Screw - M3x6	

2.G3 Interface Unit/Hand Set (D393/B443)

G3 Interface Unit Type C5000 (D393)



Hand Set Type 1018 (B443)



2.G3 Interface Unit/Hand Set (D393/B443)

Index No.	Part No.	Description	Q'ty Per Assembly
1	D393 5231	Harness:FCU-CCU	1
2	B768 5140	PCB CCUIF	1
3	D393 0582	Bracket:G3/G4	1
4	B713 5172	PCB:SG3-NEO:NA	1
4	B713 5174	PCB:SG3-NEO:EA	1
5	D393 5232	Harness:G3	1
6	B772 0524	Bracket:G3	1
7	H523 5350	Telephone Cable	1
8	B433 5003	Hand Set:MLG:390:EXP:Ass'y	1
9	B433 8600	Installation Manual	1

Index No.	Part No.	Description	Q'ty Per Assembly
101	1105 0638	Clamp RFC-33V0	
102	0451 3006N	Tapping Screw - 3x6	
103	1105 0534	Clamp	
104	1607 1460	Ferrite Core:RFC-9	
105	0353 0080N	Screw:M3x8	
106	0353 0140N	Screw:M3x14	

Parts Index

Parts Index

Part No.	Description	Page and Index No.
D545 5180	PCB:MBU:Ass'y	3 - 12

Part No.	Description	Page and Index No.
A514 1200	Decal:Serialnumber Sheet:FJI	3 - 8
B223 1530	Keytop:Trans:NA	3 - 9
B223 1536	Keytop:Trans:EU	3 - 9
B223 1835	Bracket:Hand Set	3 - 3
B237 1543	Sheet:Display:Multi Language	3 - 5
B237 1546	Sheet:Data:Display:Many Languages:2	3 - 6
B404 3861	SG3 Decal	3 - 7
B433 5003	Hand Set:MLG:390:EXP:Ass'y	5 - 8
B433 8600	Installation Manual	5 - 9
B713 5172	PCB:SG3-NEO:NA	5 - 4
B713 5174	PCB:SG3-NEO:EA	5 - 4
B768 5140	PCB CCUIF	5 - 2
B771 0523	Bracket:Modular	3 - 16
B771 5050	Speaker	3 - 19
B771 5250	Harness - Modular-Line	3 - 15
B771 5256	Harness - Modular-Tel NA	3 - 14
B771 5262	Harness - Modular-Line EU	3 - 15
B771 5267	Harness - Modular-key Top-Tel EU	3 - 14
B772 0524	Bracket:G3	5 - 6
B786 0529	Bracket:Hand Set	3 - 2
B786 5740	FCUIF-A Board	3 - 10
D356 5132	GWFCU3 Board - NA	3 - 13
D356 5134	GWFCU3 Board - EU	3 - 13
D356 5136	PCB:GWFCU3:TWN:Ass'y	3 - 13
D393 0581	Bracket:FCU	3 - 17
D393 0582	Bracket:G3/G4	5 - 3
D393 0583	Bracket:Auxiliary:Fax Control Unit	3 - 18
D393 0584	Bracket:Fax Control Unit:Connecting	3 - 21
D393 0585	Bracket:Speaker	3 - 20
D393 5230	Harness:Speaker:Connecting	3 - 11
D393 5231	Harness:FCU-CCU	5 - 1
D393 5232	Harness:G3	5 - 5
D393 5743	PCB:GWFCU-IF2:Ass'y	3 - 22
D393 5824	Bracket:Hand Set	3 - 1
G133 5777	Decal:CE:EU	3 - 23

Part No.	Description	Page and Index No.
H523 5350	Telephone Cable	5 - 7
H523 5350	Telephone Cable	3 - 4

Part No.	Description	Page and Index No.
0353 0060N	Bind Screw - M3x6	3 - 105
0353 0080N	Screw:M3x8	5 - 105
0353 0140N	Screw:M3x14	5 - 106
0360 3006N	Screw - M3x6	3 - 101
0451 3006N	Tapping Screw - 3x6	3 - 103
0451 3006N	Tapping Screw - 3x6	5 - 102
1105 0534	Clamp	3 - 104
1105 0534	Clamp	5 - 103
1105 0638	Clamp RFC-33V0	5 - 101
1607 1460	Ferrite Core:RFC-9	5 - 104
1607 2251	Ferrite Core:K3 NF-75(N)BK0	3 - 102