

Platen Cover Type 3800C
(G329)

Platen Cover Type 3800C (G329)

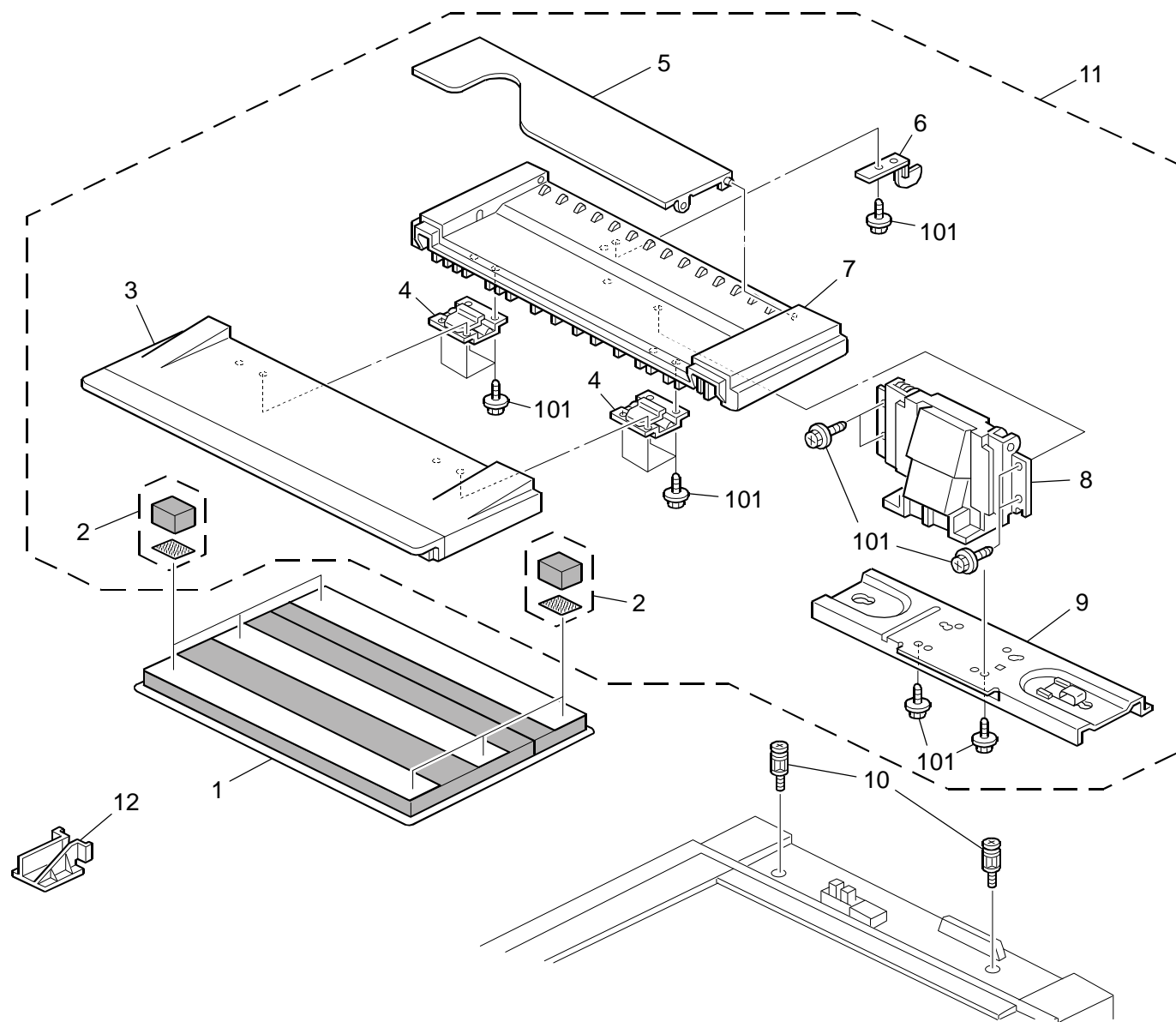
PARTS CATALOG

This catalog gives the numbers and names of parts on this machine.

1.Platen Cover (G329)	2
Parts Index	6

October 16, 2008

1. Platen Cover (G329)



1.Platen Cover (G329)

Index No.	Part No.	Description	Q'ty Per Assembly
1	G329 1371	Sheet:Pressure Plate:Ass'y	1
2	G329 1358	Cushion:Pressure Plate:Upper	6
3	B406 1387	Front Platen Cover	1
4	G329 1350	Flex Hinge - Platen Cover	2
5	B406 1397	Original Holder	1
6	G329 1383	Feeler - Platen Cover Sensor	1
7	B406 1392	Rear Platen Cover	1
8	G329 1355	Hinge:Pressure Plate:Ass'y	1
9	G329 1359	Bracket:Pressure Plate:Ass'y	1
10	AA14 3830	Guide Pin:Pressure Plate:Hinge	2
11	G329 1232	Pressure Plate:Ass'y	1
12	G329 1382	Supporter:Feeler	1

Index No.	Part No.	Description	Q'ty Per Assembly
101	0450 4012N	Tapping Screw:4x12	

Parts Index

Parts Index

Part No.	Description	Page and Index No.
G329 1232	Pressure Plate:Ass'y	3 - 11
G329 1350	Flex Hinge - Platen Cover	3 - 4
G329 1355	Hinge:Pressure Plate:Ass'y	3 - 8
G329 1358	Cushion:Pressure Plate:Upper	3 - 2
G329 1359	Bracket:Pressure Plate:Ass'y	3 - 9
G329 1371	Sheet:Pressure Plate:Ass'y	3 - 1
G329 1382	Supporter:Feeler	3 - 12
G329 1383	Feeler - Platen Cover Sensor	3 - 6

Part No.	Description	Page and Index No.
B406 1387	Front Platen Cover	3 - 3
B406 1392	Rear Platen Cover	3 - 7
B406 1397	Original Holder	3 - 5

Part No.	Description	Page and Index No.
AA14 3830	Guide Pin:Pressure Plate:Hinge	3 - 10

Part No.	Description	Page and Index No.
0450 4012N	Tapping Screw:4x12	3 - 101