

Punch Unit PU3000 (B807)

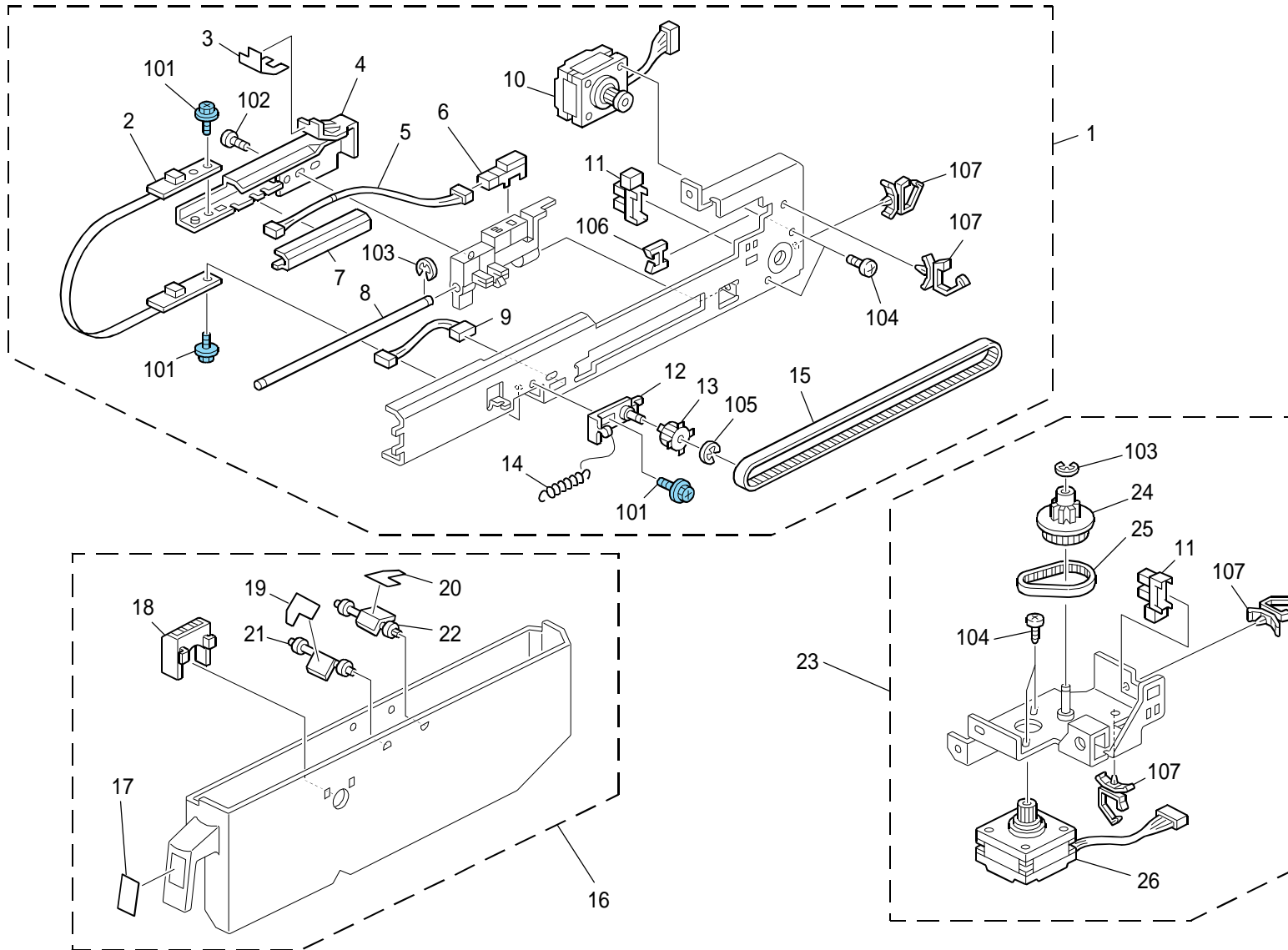
Punch Unit PU3000 (B807)

PARTS CATALOG

This catalog gives the numbers and names of parts on this machine.

1.Punch Unit 1 (B807) 2
2.Punch Unit 2 (B807) 4
PARTS INDEX **7**

1.Punch Unit 1 (B807)



1.Punch Unit 1 (B807)

Index No.	Part No.	Description	Q'ty Per Assembly
1	B807 1020	Registration Sensor Unit	1
2	B702 5200	Punch:Sensor:Connecting:Ass'y	1
3	B702 7140	Guide:Plate	1
4	B702 7130	Guide Plate:Lower:Move	1
5	B702 5306	Harness:Registration Sensor	1
6	AW01 0107	Paper Feed Sensor	1
7	B702 7110	Cover:Harness	1
8	B702 7120	Shaft:Slide:Registration Sensor	1
9	B702 5305	Harness:Registration Sensor:Side	1
10	B700 5810	Stepper Motor:Dc24v 2.5w	1
11	AW02 0114	Photo Interruptor - Lower Limit	1
12	B702 7125	Bracket:Belt Tensioner:Ass'y	1
13	B702 7135	Timing Pulley:18t	1
14	B700 1501	Tension Spring - Pressure	1
15	B702 7105	Timing Belt:B40s2m520	1
16	B807 1320	Toner Hopper Ass'y	1
17	A606 1885	Decal - Hopper	1
18	B545 7212	Toner Hopper Punch Guard	1
19	B352 7802	Front Film - Hopper	1
20	B352 7804	Rear Film - Hopper	1
21	A812 7212	Pin - Front	1
22	A812 7213	Pin - Rear	1
23	B807 2120	Stepper Motor Bracket Ass'y	1
24	B702 7205	Pinion:Punch Unit:Move	1
25	B702 7210	Timing Belt:B60s2m122	1
26	B700 5811	Stepper Motor:DC 25W	1

Index No.	Part No.	Description	Q'ty Per Assembly
101	0454 3006Q	Tapping Screw - M3x6	
102	0452 3008N	Tapping Screw - M3x8	
103	0720 0040E	Retaining Ring - M4	
104	0353 0040N	Screw - M3X4	
105	0720 0030E	Retaining Ring - M3	
106	1105 0328	Harness Clamp - ES-0505	
107	1105 0623	Clamp - LBWS-0206S-V0	

2.Punch Unit 2 (B807)

Index No.	Part No.	Description	Q'ty Per Assembly
1	B807 1410	Punch Unit Slide Bracket	1
2	B807 1311	Sensor Bracket	1
3	B700 4867	Screw:Contact Point:M3	1
4	AA06 0582	Lock Spring	1
5	AW01 0110	Paper Feed Sensor	1
6	B807 1220	Guide Plate:Registration Sensor:Ass	1
7	A666 4270	Roller:Driven:Entrance	1
8	B700 2207	Spring Plate:Pressure:Punch Unit	1
9	B700 2200	Tension Spring:Guide Plate:Move	1
10	B700 2215	Guide Plate:Upper:Move	1
11	B807 1110	Punch Unit	1
11	B807 2110	Punch Unit	1
11	B807 3110	Punch Unit	1
11	B807 4110	Punch Unit	1
12	B807 5311	Harness:Punch Unit:Move	1
13	B807 5310	Harness - Punch Unit	1
14	B804 5302	Harness:Punch Unit:Registration Sen	1
15	B807 5100	PCB Main	1
16	B702 7215	Rack:Punch Unit:Move	1
17	A697 2131	Antistatic Brush	1
18	B702 7225	Bushing:Punch Unit:Slide	2
19	B702 7220	Guide:Punch:Toner Hopper	1

Index No.	Part No.	Description	Q'ty Per Assembly
101	0454 3006Q	Tapping Screw - M3x6	
102	0313 0100N	Pan Head Screw:M3x10	
103	0451 3008N	Tapping Screw - M3x8	
104	0451 3006N	Tapping Screw - 3x6	
105	1105 0583	Clamp:Mps-14-0	
106	1105 0585	Clamp:Wls-14-0:V0	

Parts Index

Parts Index

Part No.	Description	Page and Index No.
B807 1020	Registration Sensor Unit	3 - 1
B807 1110	Punch Unit	6 - 11
B807 1220	Guide Plate:Registration Sensor:Ass	6 - 6
B807 1311	Sensor Bracket	6 - 2
B807 1320	Toner Hopper Ass'y	3 - 16
B807 1410	Punch Unit Slide Bracket	6 - 1
B807 2110	Punch Unit	6 - 11
B807 2120	Stepper Motor Bracket Ass'y	3 - 23
B807 3110	Punch Unit	6 - 11
B807 4110	Punch Unit	6 - 11
B807 5100	PCB Main	6 - 15
B807 5310	Harness - Punch Unit	6 - 13
B807 5311	Harness:Punch Unit:Move	6 - 12

Part No.	Description	Page and Index No.
A606 1885	Decal - Hopper	3 - 17
A666 4270	Roller:Driven:Entrance	6 - 7
A697 2131	Antistatic Brush	6 - 17
A812 7212	Pin - Front	3 - 21
A812 7213	Pin - Rear	3 - 22
B352 7802	Front Film - Hopper	3 - 19
B352 7804	Rear Film - Hopper	3 - 20
B545 7212	Toner Hopper Punch Guard	3 - 18
B700 1501	Tension Spring - Pressure	3 - 14
B700 2200	Tension Spring:Guide Plate:Move	6 - 9
B700 2207	Spring Plate:Pressure:Punch Unit	6 - 8
B700 2215	Guide Plate:Upper:Move	6 - 10
B700 4867	Screw:Contact Point:M3	6 - 3
B700 5810	Stepper Motor:Dc24v 2.5w	3 - 10
B700 5811	Stepper Motor:DC 25W	3 - 26
B702 5200	Punch:Sensor:Connecting:Ass'y	3 - 2
B702 5305	Harness:Registration Sensor:Side	3 - 9
B702 5306	Harness:Registration Sensor	3 - 5
B702 7105	Timing Belt:B40s2m520	3 - 15
B702 7110	Cover:Harness	3 - 7
B702 7120	Shaft:Slide:Registration Sensor	3 - 8
B702 7125	Bracket:Belt Tensioner:Ass'y	3 - 12
B702 7130	Guide Plate:Lower:Move	3 - 4
B702 7135	Timing Pulley:18t	3 - 13
B702 7140	Guide:Plate	3 - 3
B702 7205	Pinion:Punch Unit:Move	3 - 24
B702 7210	Timing Belt:B60s2m122	3 - 25
B702 7215	Rack:Punch Unit:Move	6 - 16
B702 7220	Guide:Punch:Toner Hopper	6 - 19
B702 7225	Bushing:Punch Unit:Slide	6 - 18
B804 5302	Harness:Punch Unit:Registration Sen	6 - 14

Part No.	Description	Page and Index No.
AA06 0582	Lock Spring	6 - 4
AW01 0107	Paper Feed Sensor	3 - 6
AW01 0110	Paper Feed Sensor	6 - 5
AW02 0114	Photo Interruptor - Lower Limit	3 - 11

Part No.	Description	Page and Index No.
0313 0100N	Pan Head Screw:M3x10	6 - 102
0353 0040N	Screw - M3X4	3 - 104
0451 3006N	Tapping Screw - 3x6	6 - 104
0451 3008N	Tapping Screw - M3x8	6 - 103
0452 3008N	Tapping Screw - M3x8	3 - 102
0454 3006Q	Tapping Screw - M3x6	3 - 101
0454 3006Q	Tapping Screw - M3x6	6 - 101
0720 0030E	Retaining Ring - M3	3 - 105
0720 0040E	Retaining Ring - M4	3 - 103
1105 0328	Harness Clamp - ES-0505	3 - 106
1105 0583	Clamp:Mps-14-0	6 - 105
1105 0585	Clamp:Wls-14-0:V0	6 - 106
1105 0623	Clamp - LBWS-0206S-V0	3 - 107