

LCIT RT3010 (D539)

## LCIT RT3010 (D539)

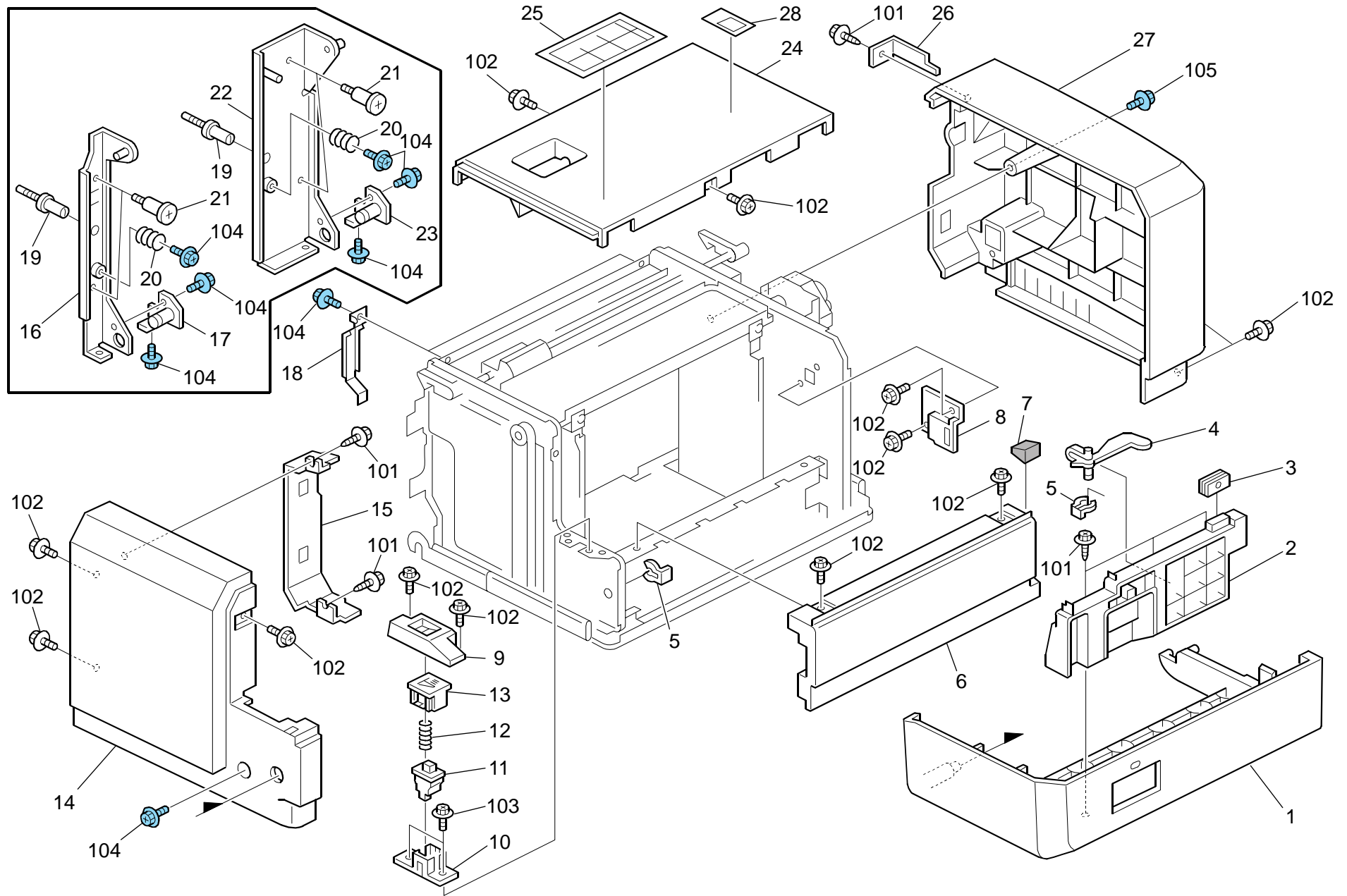
### PARTS CATALOG

This catalog gives the numbers and names of parts on this machine.

1.Exterior (D539) .....	2
2.Paper Feed Section (D539).....	4
3.Paper Tray (D539).....	6
4.Electrical Section (D539).....	8
5.Frame (D539) .....	10
<b>Parts Index .....</b>	<b>14</b>

October 28, 2010

# 1.Exterior (D539)

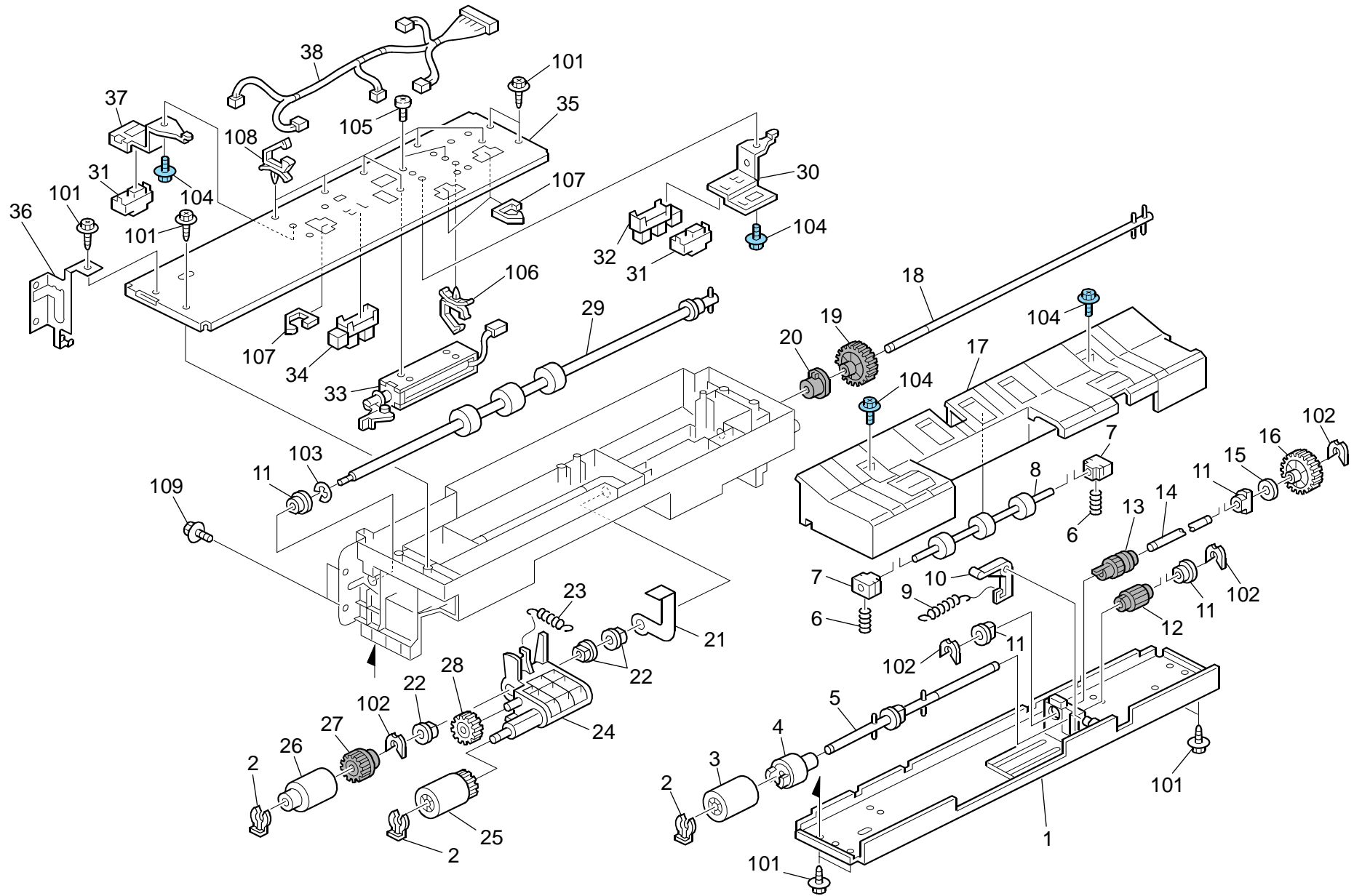


## 1.Exterior (D539)

Index No.	Part No.	Description	Q'ty Per Assembly
1	D353 1250	Right Cover	1
2	D353 1252	Grip - Right Inner Cover	1
3	AG07 0514	Magnet Catch	1
4	D353 1251	End Fence	1
5	AA10 0014	Retaining Ring C - Separate	2
6	D353 1204	Right Lower Cover	1
7	D353 1255	Cushion	1
8	D353 1088	Cover - Safety Switch	1
9	D353 1208	Push Switch Cover	1
10	D353 1221	Housing - Push Switch	1
11	G020 5626	Push Switch	1
12	B065 3561	Spring	1
13	D353 1222	Keytop - Push Switch	1
14	D353 1201	Front Cover	1
15	D353 1209	Supporting Plate - Front Cover	1
16	D353 3850	Front Coupling Bracket	1
17	D353 1101	Front Support Plate	1
18	D353 1014	Pressure Plate - Vertical Transport	2
19	D353 3857	Positioning Pin:Screw:Coupling	2
20	AA06 3926	Compression Spring - Earth	2
21	G569 6207	Stepped Screw - Long	4
22	D353 3860	Rear Coupling Bracket	1
23	D353 1102	Rear Support Plate	1
24	D353 1203	Upper Left Cover	1
25	D353 1341	Decal - Misfeed Removal	1
26	D353 1207	Inner Cover - Drive	1
27	D353 1202	Rea Cover	1
28	D353 1343	Decal:Paper Set Direction:EXP	1

Index No.	Part No.	Description	Q'ty Per Assembly
101	0450 3008N	Tapping Screw - M3x8	
102	0451 3008N	Tapping Screw - M3x8	
103	0451 4006N	Tapping Screw - 4x6	
104	0454 3006Q	Tapping Screw - M3x6	
105	0454 3008Q	Tapping Screw:3x8	

## 2.Paper Feed Section (D539)

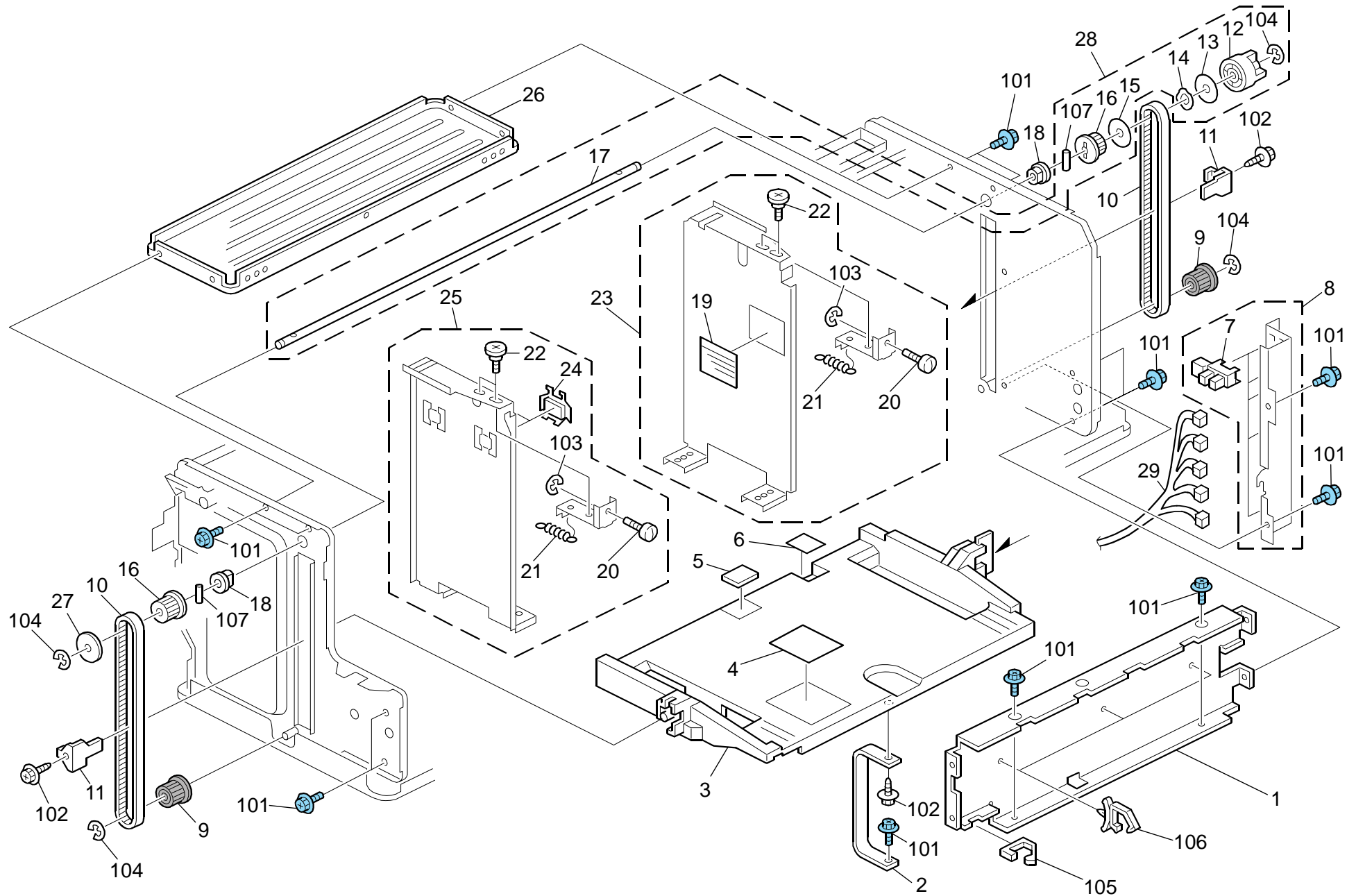


## 2.Paper Feed Section (D539)

Index No.	Part No.	Description	Q'ty Per Assembly
1	D353 2510	Guide Plate - Separate	1
2	AA10 0014	Retaining Ring C - Separate	3
3	<b>AF03 2085</b>	<b>Paper Feed Roller - Separate</b>	<b>1</b>
4	B004 2783	Torque Limiter	1
5	D353 2520	Driven Shaft - Separate	1
6	B223 2676	Spring - 11N	2
7	G060 2652	Bushing - M4	2
8	AF02 0646	Vertical Transport Roller	1
9	AA06 0693	Tension Spring	1
10	D353 2512	Pressure Lever - Separate	1
11	AA08 2143	Bushing - 6x10x6	4
12	AB01 0157	Gear:Separate:Driven	1
13	AB01 0156	Gear:Separate:Drive	1
14	D353 2522	Drive Shaft - Separate	1
15	D539 1327	Spacer:Timing Belt	1
16	D539 2819	Gear:Separator:Input	1
17	D353 2511	Guide Plate - Lower	1
18	D353 2525	Shaft - Paper Feed	1
19	D539 2764	Gear:Feed	1
20	AA08 3023	One-Way Bearing - 6x14x10	1
21	D353 2633	Ground Plate	1
22	AA08 2101	Bushing - 6x10x6	3
23	AA06 0691	Tension Spring	1
24	D353 2501	Pick-Up Arm	1
25	<b>AF03 0085</b>	<b>Paper Feed Roller - Pickup</b>	<b>1</b>
26	<b>AF03 1087</b>	<b>Paper Feed Roller - Feed</b>	<b>1</b>
27	D353 2502	One-Way Gear - 18t	1
28	AB01 1252	Gear - 20Z	1
29	B223 2756	Drive Transport Roller	1
30	D353 2651	Paper Feed Sensor Bracket	1
31	AW01 0145	Photo Refiection Sensor:Paper Feed	2
32	GW02 0020	Photointerruptor:Lg248n1	1
33	D539 2640	DC Solenoid:Pickup:Ass'y	1
34	GW01 0007	Photo Reflection Sensor:Exit	1
35	D353 2630	Upper Stay - Paper Feed Unit	1

Index No.	Part No.	Description	Q'ty Per Assembly
36	D353 2634	Ground Plate	1
37	D353 2650	Sensor Bracket	1
38	D539 5311	Harness:Paper Feed Unit	1
101	0450 3008N	Tapping Screw - M3x8	
102	0805 0089	Retaining Ring - M4	
103	0720 0040E	Retaining Ring - M4	
104	0454 3006Q	Tapping Screw - M3x6	
105	0353 0040N	Screw - M3X4	
106	1105 0516	Clamp	
107	1105 0522	Edge Saddle - Les0510	
108	1105 0511	Harness Clamp - LWS-0306ZC	
109	0451 3008N	Tapping Screw - M3x8	

### 3.Paper Tray (D539)



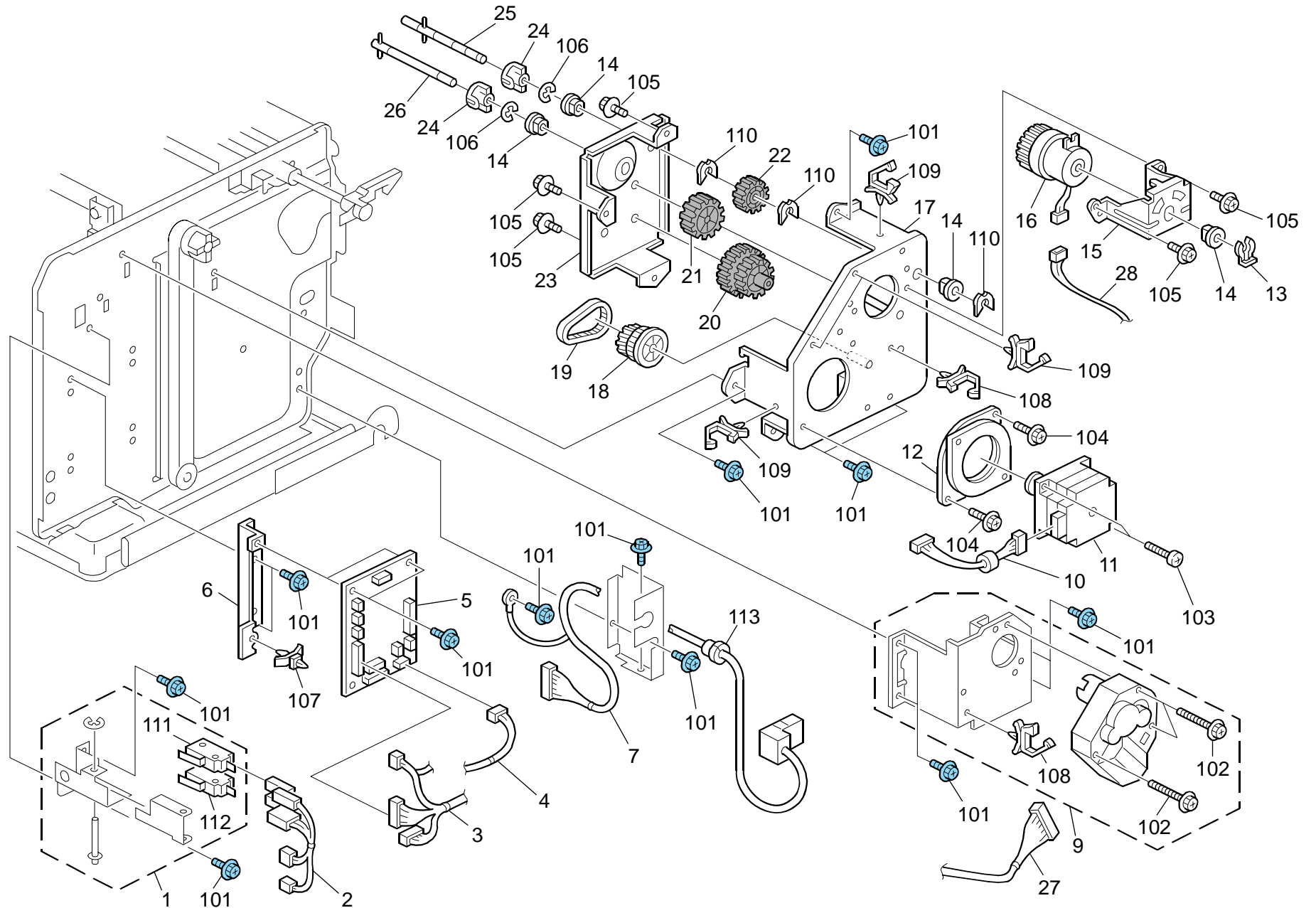
### 3.Paper Tray (D539)

Index No.	Part No.	Description	Q'ty Per Assembly
1	D353 1063	Lower Right Stay	1
2	A667 2653	Paper Stopper	1
3	D353 2532	Tray Bottom Plate	1
4	D353 1340	Decal - Paper Set Direction	1
5	<b>A421 2543</b>	<b>Friction Pad</b>	<b>1</b>
6	C408 6691	Shield	1
7	GW02 0020	Photointerruptor:Lg248nl1	5
8	D539 2534	Bracket:Paper Volume Sensor:Ass'y	1
9	AB03 0609	Pulley - 20T	2
10	AA04 3979	Timing Belt - 80S3M501	2
11	B801 2684	Timing Belt Holder	2
12	D353 1034	One-Way Clutch	1
13	D353 1039	Spacer - One-way Clutch	1
14	5353 1818	Wave Washer - M 12.5	1
15	D353 1038	Spacer - Pulley	1
16	AB03 0633	Timing Pulley - Tray Bottom Plate	2
17	D353 1131	Shaft - Tray Lift	1
18	B872 2614	Bushing:R1	2
19	AA00 0713	Decal - Side Fence Rear	1
20	AA14 3963	Knob Screw:Side Fence	2
21	AA06 0693	Tension Spring	2
22	G004 3519	Stepping Screw	4
23	D353 2850	Side Fence:Rear:Ass'y	1
24	B303 2777	Paper Guide Mylar	2
25	D353 2840	Side Fence:Front:Ass'y	1
26	D353 1003	Upper Stay	1
27	B801 1184	Timing Belt Spacer	1
28	D353 1030	Shaft:Rising Tray:Press Fit	1
29	D539 5330	Harness:Paper Volume Sensor	1

Index No.	Part No.	Description	Q'ty Per Assembly
101	0454 3006Q	Tapping Screw - M3x6	
102	0450 3008N	Tapping Screw - M3x8	
103	0720 0030E	Retaining Ring - M3	
104	0720 0060E	Retaining Ring - M6	
105	1105 0522	Edge Saddle - Les0510	
106	1105 0511	Harness Clamp - LWS-0306ZC	
107	0623 0140E	Spring Pin - 3x14mm	



## 4. Electrical Section (D539)

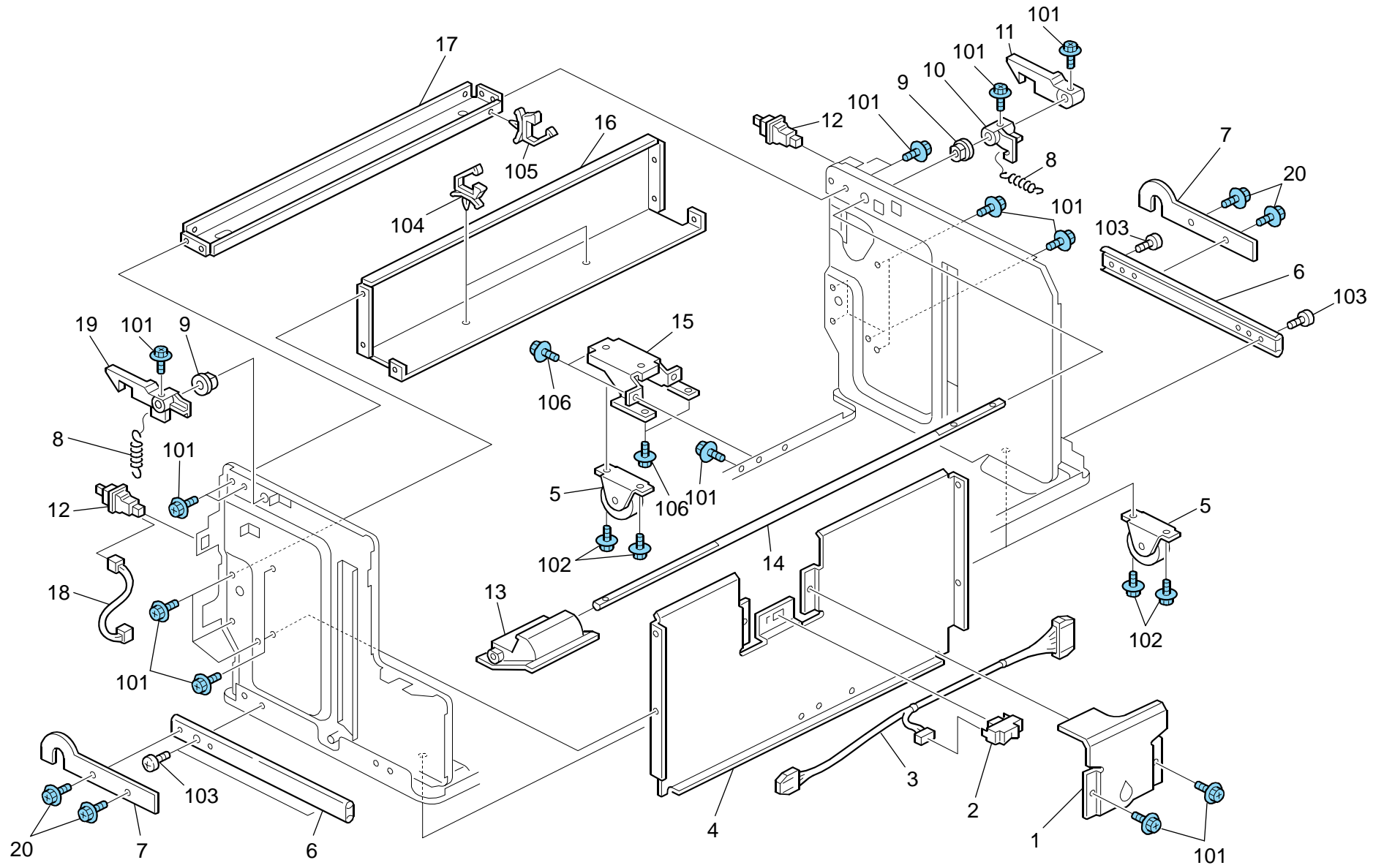


#### 4.Electrical Section (D539)


Index No.	Part No.	Description	Q'ty Per Assembly
1	D353 1009	Safety Switch Ass'y - Right	1
2	D539 5370	Harness:Micro Switch:Rise	1
3	D539 5310	Harness:Paper Feed Unit:Connecting	1
4	D539 5360	Harness:Push Switch	1
5	D539 5100	PCB:Bank:Ass'y	1
6	D353 1075	Bracket	2
7	D539 5300	Harness:Interface	1
9	D353 1031	Lift Motor - DC 24W	1
10	D539 5320	Harness:Motor	1
11	D353 1025	Stepper Motor - DC 3W	1
12	B802 1622	Stepper Motor Damper	1
13	5447 2681	Snap Ring	1
14	AA08 2101	Bushing - 6x10x6	4
15	B223 1187	Magnetic Clutch Bracket	1
16	AX20 0289	Magnetic Clutch - 32Z	1
17	D539 1021	Bracket:Drive Unit:Paper Feed	1
18	D539 1025	Timing Pulley:Paper Feed	1
19	AA04 3982	Timing Belt:40S3M129	1
20	AB01 7699	Gear - 33Z/44Z	1
21	AB01 1258	Gear - 38Z	1
22	D353 1024	Gear - 32Z	1
23	D353 1022	Drive Unit Plate	1
24	B223 1186	Drive Joint	2
25	D353 1183	Grip Shaft	1
26	D353 1023	Feed Shaft	1
27	D539 5350	Harness:Lift Motor	1
28	D539 5340	Harness:Electromagnetic Clutch	1


Index No.	Part No.	Description	Q'ty Per Assembly
101	0454 3006Q	Tapping Screw - M3x6	
102	0451 3030N	Tapping Screw:3x30	
103	0434 0100N	Tapping Screw - 4x10	
104	0451 4008N	Tapping Screw:4x8	
105	0451 3006N	Tapping Screw - 3x6	
106	0720 0040E	Retaining Ring - M4	
107	1105 0192	Locking Support	
108	1105 0511	Harness Clamp - LWS-0306ZC	
109	1105 0516	Clamp	
110	0805 0089	Retaining Ring - M4	
111	1204 2521	Micro Switch	
112	1204 2529	Switch - V-5F912DN	
113	1106 0289	Bushing - SR-5N-1	

# 5.Frame (D539)



## 5.Frame (D539)

Index No.	Part No.	Description	Q'ty Per Assembly
1	D353 1113	Support Guide Plate	1
2	AW01 0145	Photo Refiection Sensor:Paper Feed	1
3	D539 5331	Harness:On Off Detector:Connecting	1
4	D353 1115	Guide Plate - Paper Feed	1
5	D353 1092	Caster:DIA25H33	3
6	AA07 0083	Slide Rail	2
7	D353 1104	Link - Slide Rail	2
8	D353 1017	Tension Spring	2
9	B872 2614	Bushing:R1	2
10	D353 1066	Lever Stopper - Rear	1
11	D353 1067	Lock Lever	1
12	AW50 0023	Push Switch	2
13	D353 1205	Grip - Lever	1
14	AA14 0923	Lever Shaft	1
15	D353 1091	Bracket - Caster	1
16	D353 1006	Left Stay	1
17	D353 1005	Upper Left Stay	1
18	D353 5309	Front Harness - Open	1
19	D353 1057	Lock Lever	1
20	B390 6910	Binding Self Tapping Screw - M3x6	4
			

Index No.	Part No.	Description	Q'ty Per Assembly
101	0454 3006Q	Tapping Screw - M3x6	
102	0454 4008Q	Tapping Screw - M4x8	
103	0433 0060N	Pan Self-tapping Screw:3x6	
104	1105 0488	Harness Clamp	
105	1105 0511	Harness Clamp - LWS-0306ZC	
106	0454 4006Q	Tapping Screw:4x6	
			

# Parts Index

## PM Parts Index

Section Name	Part No.	Description in Service Manual	Description in Parts Catalog	Q'ty Per Assembly	Page and Index No.
Paper Tray (D539)	A421 2543	Friction Pad	Friction Pad	1	7 - 5
Paper Feed Section (D539)	AF03 0085	Paper Feed Roller - Pickup	Paper Feed Roller - Pickup	1	5 - 25
	AF03 2085	Paper Feed Roller - Separate	Paper Feed Roller - Separate	1	5 - 3
	AF03 1087	Paper Feed Roller - Feed	Paper Feed Roller - Feed	1	5 - 26

## Parts Index

Part No.	Description	Page and Index No.
D539 1021	Bracket:Drive Unit:Paper Feed	9 - 17
D539 1025	Timing Pulley:Paper Feed	9 - 18
D539 1327	Spacer:Timing Belt	5 - 15
D539 2534	Bracket:Paper Volume Sensor:Ass'y	7 - 8
D539 2640	DC Solenoid:Pickup:Ass'y	5 - 33
D539 2764	Gear:Feed	5 - 19
D539 2819	Gear:Separator:Input	5 - 16
D539 5100	PCB:Bank:Ass'y	9 - 5
D539 5300	Harness:Interface	9 - 7
D539 5310	Harness:Paper Feed Unit:Connecting	9 - 3
D539 5311	Harness:Paper Feed Unit	5 - 38
D539 5320	Harness:Motor	9 - 10
D539 5330	Harness:Paper Volume Sensor	7 - 29
D539 5331	Harness:On Off Detector:Connecting	11 - 3
D539 5340	Harness:Electromagnetic Clutch	9 - 28
D539 5350	Harness:Lift Motor	9 - 27
D539 5360	Harness:Push Switch	9 - 4
D539 5370	Harness:Micro Switch:Rise	9 - 2

Part No.	Description	Page and Index No.
A421 2543	Friction Pad	7 - 5
A667 2653	Paper Stopper	7 - 2
B004 2783	Torque Limiter	5 - 4
B065 3561	Spring	3 - 12
B223 1186	Drive Joint	9 - 24
B223 1187	Magnetic Clutch Bracket	9 - 15
B223 2676	Spring - 11N	5 - 6
B223 2756	Drive Transport Roller	5 - 29
B303 2777	Paper Guide Mylar	7 - 24
B390 6910	Binding Self Tapping Screw - M3x6	11 - 20
B801 1184	Timing Belt Spacer	7 - 27
B801 2684	Timing Belt Holder	7 - 11
B802 1622	Stepper Motor Damper	9 - 12
B872 2614	Bushing:R1	7 - 18
B872 2614	Bushing:R1	11 - 9
C408 6691	Shield	7 - 6
D353 1003	Upper Stay	7 - 26
D353 1005	Upper Left Stay	11 - 17
D353 1006	Left Stay	11 - 16
D353 1009	Safety Switch Ass'y - Right	9 - 1
D353 1014	Pressure Plate - Vertical Transport	3 - 18
D353 1017	Tension Spring	11 - 8
D353 1022	Drive Unit Plate	9 - 23
D353 1023	Feed Shaft	9 - 26
D353 1024	Gear - 32Z	9 - 22
D353 1025	Stepper Motor - DC 3W	9 - 11
D353 1030	Shaft:Rising Tray:Press Fit	7 - 28
D353 1031	Lift Motor - DC 24W	9 - 9
D353 1034	One-Way Clutch	7 - 12
D353 1038	Spacer - Pulley	7 - 15
D353 1039	Spacer - One-way Clutch	7 - 13
D353 1057	Lock Lever	11 - 19
D353 1063	Lower Right Stay	7 - 1
D353 1066	Lever Stopper - Rear	11 - 10
D353 1067	Lock Lever	11 - 11

Part No.	Description	Page and Index No.
D353 1075	Bracket	9 - 6
D353 1088	Cover - Safety Switch	3 - 8
D353 1091	Bracket - Caster	11 - 15
D353 1092	Caster:DIA25H33	11 - 5
D353 1101	Front Support Plate	3 - 17
D353 1102	Rear Support Plate	3 - 23
D353 1104	Link - Slide Rail	11 - 7
D353 1113	Support Guide Plate	11 - 1
D353 1115	Guide Plate - Paper Feed	11 - 4
D353 1131	Shaft - Tray Lift	7 - 17
D353 1183	Grip Shaft	9 - 25
D353 1201	Front Cover	3 - 14
D353 1202	Rea Cover	3 - 27
D353 1203	Upper Left Cover	3 - 24
D353 1204	Right Lower Cover	3 - 6
D353 1205	Grip - Lever	11 - 13
D353 1207	Inner Cover - Drive	3 - 26
D353 1208	Push Switch Cover	3 - 9
D353 1209	Supporting Plate - Front Cover	3 - 15
D353 1221	Housing - Push Switch	3 - 10
D353 1222	Keytop - Push Switch	3 - 13
D353 1250	Right Cover	3 - 1
D353 1251	End Fence	3 - 4
D353 1252	Grip - Right Inner Cover	3 - 2
D353 1255	Cushion	3 - 7
D353 1340	Decal - Paper Set Direction	7 - 4
D353 1341	Decal - Misfeed Removal	3 - 25
D353 1343	Decal:Paper Set Direction:EXP	3 - 28
D353 2501	Pick-Up Arm	5 - 24
D353 2502	One-Way Gear - 18t	5 - 27
D353 2510	Guide Plate - Separate	5 - 1
D353 2511	Guide Plate - Lower	5 - 17
D353 2512	Pressure Lever - Separate	5 - 10
D353 2520	Driven Shaft - Separate	5 - 5
D353 2522	Drive Shaft - Separate	5 - 14

Part No.	Description	Page and Index No.
D353 2525	Shaft - Paper Feed	5 - 18
D353 2532	Tray Bottom Plate	7 - 3
D353 2630	Upper Stay - Paper Feed Unit	5 - 35
D353 2633	Ground Plate	5 - 21
D353 2634	Ground Plate	5 - 36
D353 2650	Sensor Bracket	5 - 37
D353 2651	Paper Feed Sensor Bracket	5 - 30
D353 2840	Side Fence:Front:Ass'y	7 - 25
D353 2850	Side Fence:Rear:Ass'y	7 - 23
D353 3850	Front Coupling Bracket	3 - 16
D353 3857	Positioning Pin:Screw:Coupling	3 - 19
D353 3860	Rear Coupling Bracket	3 - 22
D353 5309	Front Harness - Open	11 - 18
G004 3519	Stepping Screw	7 - 22
G020 5626	Push Switch	3 - 11
G060 2652	Bushing - M4	5 - 7
G569 6207	Stepped Screw - Long	3 - 21



Part No.	Description	Page and Index No.
AA00 0713	Decal - Side Fence Rear	7 - 19
AA04 3979	Timing Belt - 80S3M501	7 - 10
AA04 3982	Timing Belt:40S3M129	9 - 19
AA06 0691	Tension Spring	5 - 23
AA06 0693	Tension Spring	7 - 21
AA06 0693	Tension Spring	5 - 9
AA06 3926	Compression Spring - Earth	3 - 20
AA07 0083	Slide Rail	11 - 6
AA08 2101	Bushing - 6x10x6	5 - 22
AA08 2101	Bushing - 6x10x6	9 - 14
AA08 2143	Bushing - 6x10x6	5 - 11
AA08 3023	One-Way Bearing - 6x14x10	5 - 20
AA10 0014	Retaining Ring C - Separate	5 - 2
AA10 0014	Retaining Ring C - Separate	3 - 5
AA14 0923	Lever Shaft	11 - 14
AA14 3963	Knob Screw:Side Fence	7 - 20
AB01 0156	Gear:Separate:Drive	5 - 13
AB01 0157	Gear:Separate:Driven	5 - 12
AB01 1252	Gear - 20Z	5 - 28
AB01 1258	Gear - 38Z	9 - 21
AB01 7699	Gear - 33Z/44Z	9 - 20
AB03 0609	Pulley - 20T	7 - 9
AB03 0633	Timing Pulley - Tray Bottom Plate	7 - 16
AF02 0646	Vertical Transport Roller	5 - 8
AF03 0085	Paper Feed Roller - Pickup	5 - 25
AF03 1087	Paper Feed Roller - Feed	5 - 26
AF03 2085	Paper Feed Roller - Separate	5 - 3
AG07 0514	Magnet Catch	3 - 3
AW01 0145	Photo Refiection Sensor:Paper Feed	11 - 2
AW01 0145	Photo Refiection Sensor:Paper Feed	5 - 31
AW50 0023	Push Switch	11 - 12
AX20 0289	Magnetic Clutch - 32Z	9 - 16
GW01 0007	Photo Reflection Sensor:Exit	5 - 34
GW02 0020	Photointerruptor:Lg248n1	7 - 7
GW02 0020	Photointerruptor:Lg248n1	5 - 32

Part No.	Description	Page and Index No.
0353 0040N	Screw - M3X4	5 - 105
0433 0060N	Pan Self-tapping Screw:3x6	11 - 103
0434 0100N	Tapping Screw - 4x10	9 - 103
0450 3008N	Tapping Screw - M3x8	5 - 101
0450 3008N	Tapping Screw - M3x8	7 - 102
0450 3008N	Tapping Screw - M3x8	3 - 101
0451 3006N	Tapping Screw - 3x6	9 - 105
0451 3008N	Tapping Screw - M3x8	3 - 102
0451 3008N	Tapping Screw - M3x8	5 - 109
0451 3030N	Tapping Screw:3x30	9 - 102
0451 4006N	Tapping Screw - 4x6	3 - 103
0451 4008N	Tapping Screw:4x8	9 - 104
0454 3006Q	Tapping Screw - M3x6	7 - 101
0454 3006Q	Tapping Screw - M3x6	9 - 101
0454 3006Q	Tapping Screw - M3x6	5 - 104
0454 3006Q	Tapping Screw - M3x6	11 - 101
0454 3006Q	Tapping Screw - M3x6	3 - 104
0454 3008Q	Tapping Screw:3x8	3 - 105
0454 4006Q	Tapping Screw:4x6	11 - 106
0454 4008Q	Tapping Screw - M4x8	11 - 102
0623 0140E	Spring Pin - 3x14mm	7 - 107
0720 0030E	Retaining Ring - M3	7 - 103
0720 0040E	Retaining Ring - M4	5 - 103
0720 0040E	Retaining Ring - M4	9 - 106
0720 0060E	Retaining Ring - M6	7 - 104
0805 0089	Retaining Ring - M4	9 - 110
0805 0089	Retaining Ring - M4	5 - 102
1105 0192	Locking Support	9 - 107
1105 0488	Harness Clamp	11 - 104
1105 0511	Harness Clamp - LWS-0306ZC	5 - 108
1105 0511	Harness Clamp - LWS-0306ZC	11 - 105
1105 0511	Harness Clamp - LWS-0306ZC	9 - 108
1105 0511	Harness Clamp - LWS-0306ZC	7 - 106
1105 0516	Clamp	9 - 109
1105 0516	Clamp	5 - 106

Part No.	Description	Page and Index No.
1105 0522	Edge Saddle - Les0510	5 - 107
1105 0522	Edge Saddle - Les0510	7 - 105
1106 0289	Bushing - SR-5N-1	9 - 113
1204 2521	Micro Switch	9 - 111
1204 2529	Switch - V-5F912DN	9 - 112

Part No.	Description	Page and Index No.
5353 1818	Wave Washer - M 12.5	7 - 14
5447 2681	Snap Ring	9 - 13