

**Booklet Finisher SR3000  
(B793)**

## Booklet Finisher SR3000 (B793)

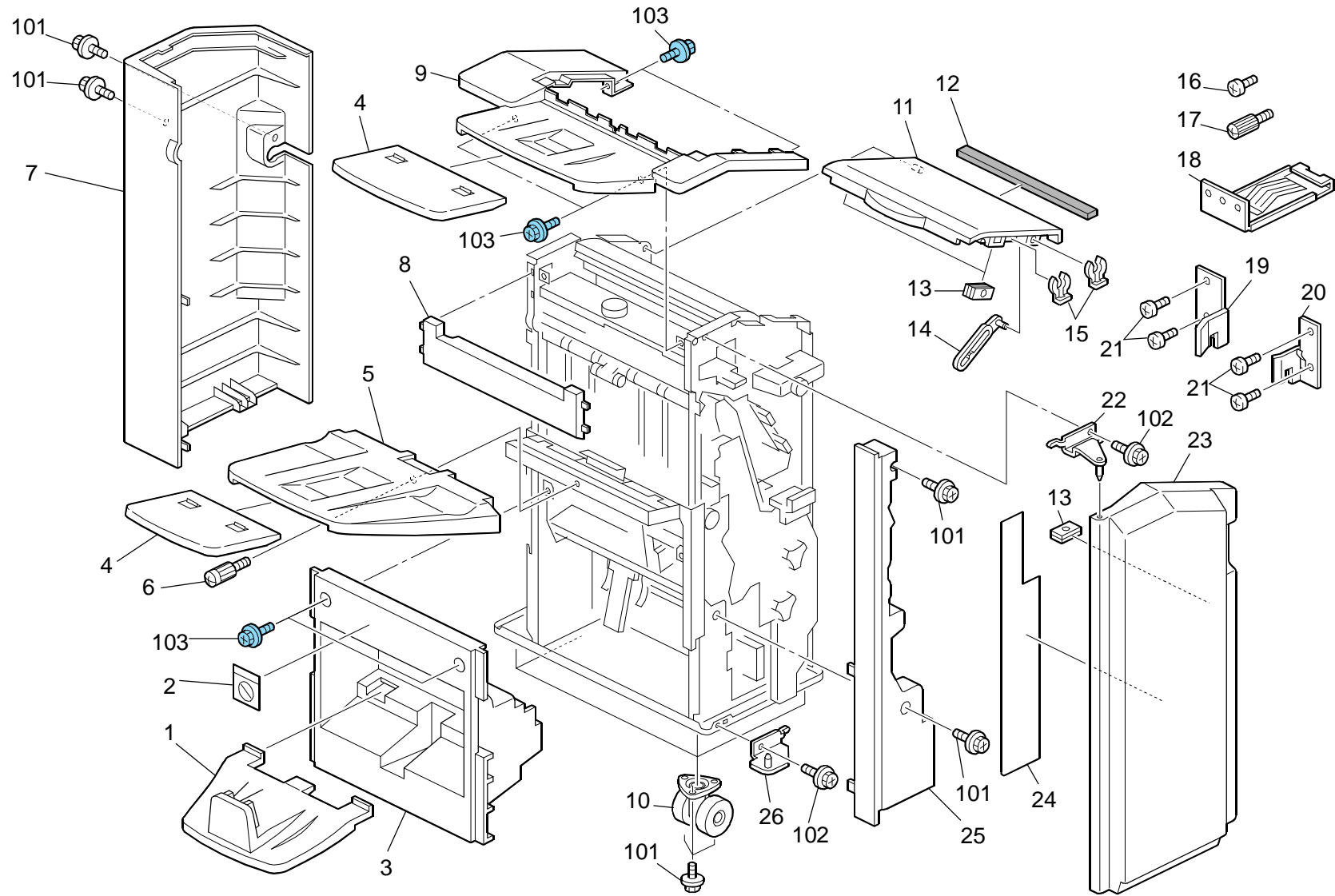
### PARTS CATALOG

This catalog gives the numbers and names of parts on this machine.

1.Exterior (B793) .....	2	19.Decals And Documents (B793) .....	38
2.Paper Transfer (B793) .....	4	<b>Parts Index .....</b>	<b>42</b>
3.Paper Exit (B793) .....	6		
4.Shift Transfer Section (B793).....	8		
5.Staple Transfer Section 1 (B793).....	10		
6.Staple Transfer Section 2 (B793).....	12		
7.Staple Transfer Section 3 (B793).....	14		
8.Jogger Unit (B793) .....	16		
9.Staple Transfer Section 1 (B793).....	18		
10.Staple Transfer Section 2 (B793).....	20		
11.Staple Transfer Section 3 (B793).....	22		
12.Paper Crimp Section 1 (B793) .....	24		
13.Paper Crimp Section 2 (B793) .....	26		
14.Paper Crimp Section 3 (B793) .....	28		
15.Tray Drive Section (B793).....	30		
16.Shift Tray Paper Exit (B793) .....	32		
17.Drive Section (B793) .....	34		
18.Electrical Section (B793).....	36		

September 16, 2008

# 1.Exterior (B793)

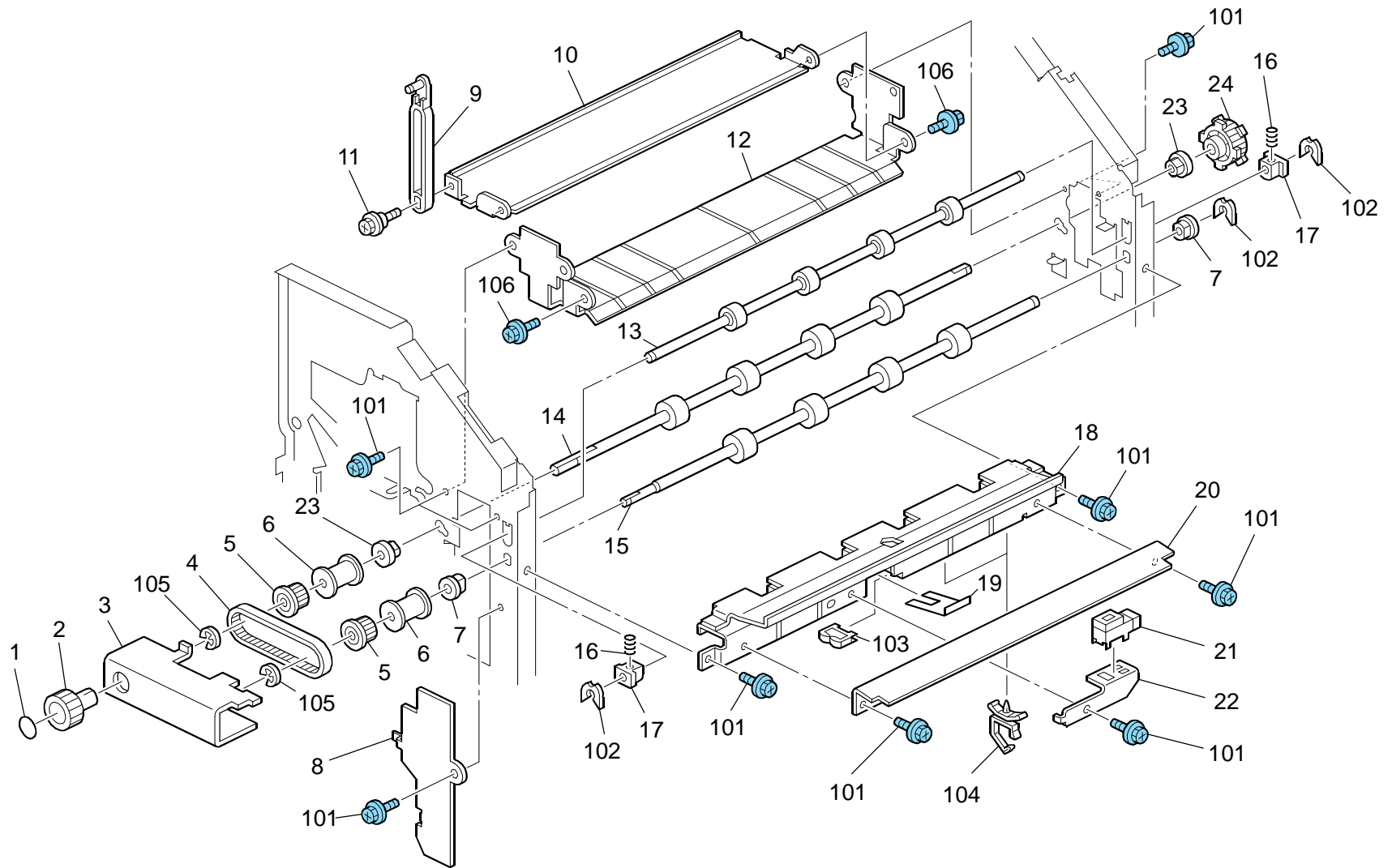


## 1.Exterior (B793)

Index No.	Part No.	Description	Q'ty Per Assembly
1	B804 3853	Tray:Paper Crimp Sub-unit	1
2	B793 7898	Decal:Paper Exit Sub-unit	1
3	B793 6151	Cover - Left Lower	1
4	B700 3420	Tray:Auxiliary	2
5	B793 3311	Tray	1
6	B714 3115	Knob Screw:Document Feeder:Fix	1
7	B793 6121	Cover - Rear	1
8	B793 6141	Cover - Left Upper	1
9	B793 6111	Cover - Upper	1
10	B793 1313	Caster:H43	4
11	B793 6171	Cover - Upper Open And Close	1
12	B793 6201	Spacer Cushion	2
13	AG07 0514	Magnet Catch	3
14	B408 2731	Arm - Top Cover	1
15	5447 2681	Snap Ring	2
16	B408 1390	Flat Screw:Groove Type	2
17	B408 1412	Flat Screw	1
18	B408 1429	Ground Plate Bracket	1
19	B793 1421	Bracket:Coupling:Ground Plate:Rear:Ass'y	1
20	B793 1425	Bracket:Coupling:Ground Plate:Front:Ass'y	1
21	B408 1431	Flat Screw:Coupling	4
22	B793 6132	Upper Door Hinge	1
23	B793 6131	Cover - Front	1
24	B793 7861	Decal - Misfeed Removal	1
25	B793 6161	Cover - Left Sideways	1
26	B793 6134	Lower Door Hinge	1

Index No.	Part No.	Description	Q'ty Per Assembly
101	0451 3008N	Tapping Screw - M3x8	
102	0451 3006N	Tapping Screw - 3x6	
103	0454 3008Q	Tapping Screw:3x8	

## 2.Paper Transfer (B793)

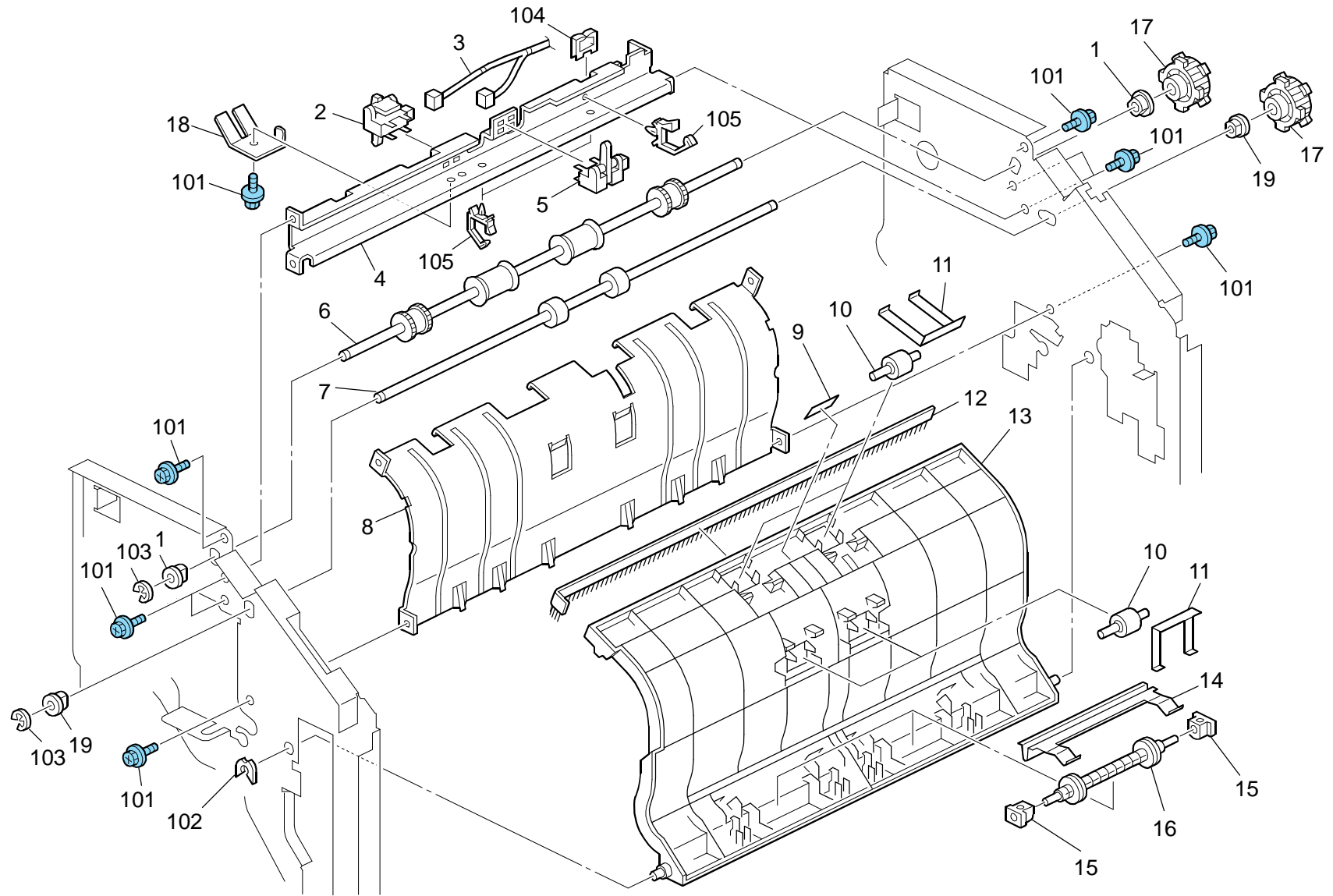


## 2.Paper Transfer (B793)

Index No.	Part No.	Description	Q'ty Per Assembly
1	B793 7866	Decal - Knob	1
2	B408 2281	Knob - Transfer Roller	1
3	B793 1221	Inner Cover - Front	1
4	AA04 3616	Timing Belt - 40S3M210	1
5	A697 2260	Pulley - 17T	2
6	B793 2212	Transport Roller Spacer	2
7	5053 0223	Bushing - 8mm	2
8	B793 1512	Toner Hopper Cover - Front	1
9	B793 2613	Link - Guide Plate Cover	1
10	B793 2612	Guide Plate - Upper	1
11	AA14 3823	Tapping Screw	1
12	B793 2611	Guide Plate - Lower	1
13	B793 2161	Entrance Driven Roller	1
14	B793 2221	Transport Roller - Long	1
15	B793 2211	Entrance Transport Roller	1
16	B793 2162	Compression Spring - Transport Roller	2
17	B793 2163	Bushing - Roller Driven	2
18	B793 2176	Guide Plate:Entrance:Ass'y	1
19	B793 2178	Guide:Guide Plate:Connecting	1
20	B793 2179	Guide Plate:Connecting:Lower	1
21	GW01 0007	Photo Refiection Sensor:Exit	1
22	B793 2164	Entrance Sensor Bracket	1
23	5053 0447	Bushing - 6mm	2
24	B793 2217	Timing Pulley - 24T	1

Index No.	Part No.	Description	Q'ty Per Assembly
101	0454 3006Q	Tapping Screw - M3x6	
102	0805 0088	Retaining Ring - M6	
103	1105 0328	Harness Clamp - ES-0505	
104	1105 0623	Clamp - LBWS-0206S-V0	
105	0720 0040E	Retaining Ring - M4	
106	0454 3008Q	Tapping Screw:3x8	

### 3.Paper Exit (B793)



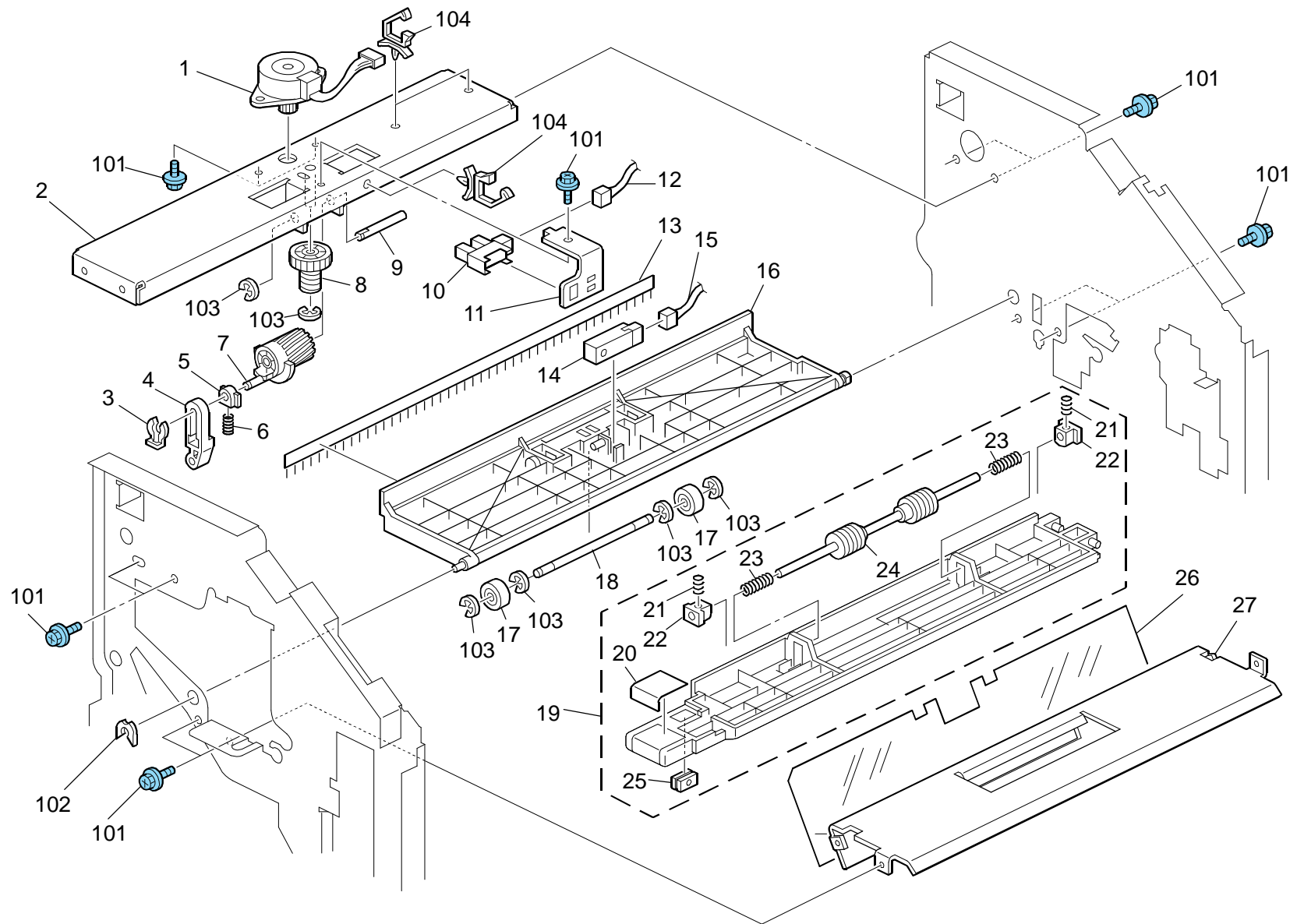
### 3.Paper Exit (B793)

Index No.	Part No.	Description	Q'ty Per Assembly
1	AA08 2101	Bushing - 6x10x6	2
2	AW02 0178	Paper Feed Sensor	1
3	B793 5225	Harness - Exit Proof Tray	1
4	B793 2452	Bracket:Sensor:Proof Tray	1
5	AW02 0184	Paper Feed Sensor	1
6	B408 2232	Exit Roller:Proof Tray	1
7	B408 2211	Transfer Roller	1
8	B793 2121	Guide Plate - Proof Tray	1
9	B793 7871	Decal - Proof Tray	1
10	B793 2148	Roller:Driven:DIA14	4
11	B793 2144	Spring Plate - Roller Driven	4
12	B793 2145	Discharge Brush - Proof Tray	1
13	B793 2146	Guide Plate - Proof Tray	1
14	B793 2142	Spring Plate - Proof Tray	2
15	AA08 0237	Bushing - 4x5x7	4
16	AF02 2097	Driven Roller	2
17	B793 2217	Timing Pulley - 24T	2
18	B793 2453	Guide:Sensor:Proof Tray	1
19	5053 0447	Bushing - 6mm	2

Index No.	Part No.	Description	Q'ty Per Assembly
101	0454 3006Q	Tapping Screw - M3x6	
102	0805 0089	Retaining Ring - M4	
103	0720 0040E	Retaining Ring - M4	
104	1105 0328	Harness Clamp - ES-0505	
105	1105 0623	Clamp - LBWS-0206S-V0	



## 4.Shift Transfer Section (B793)

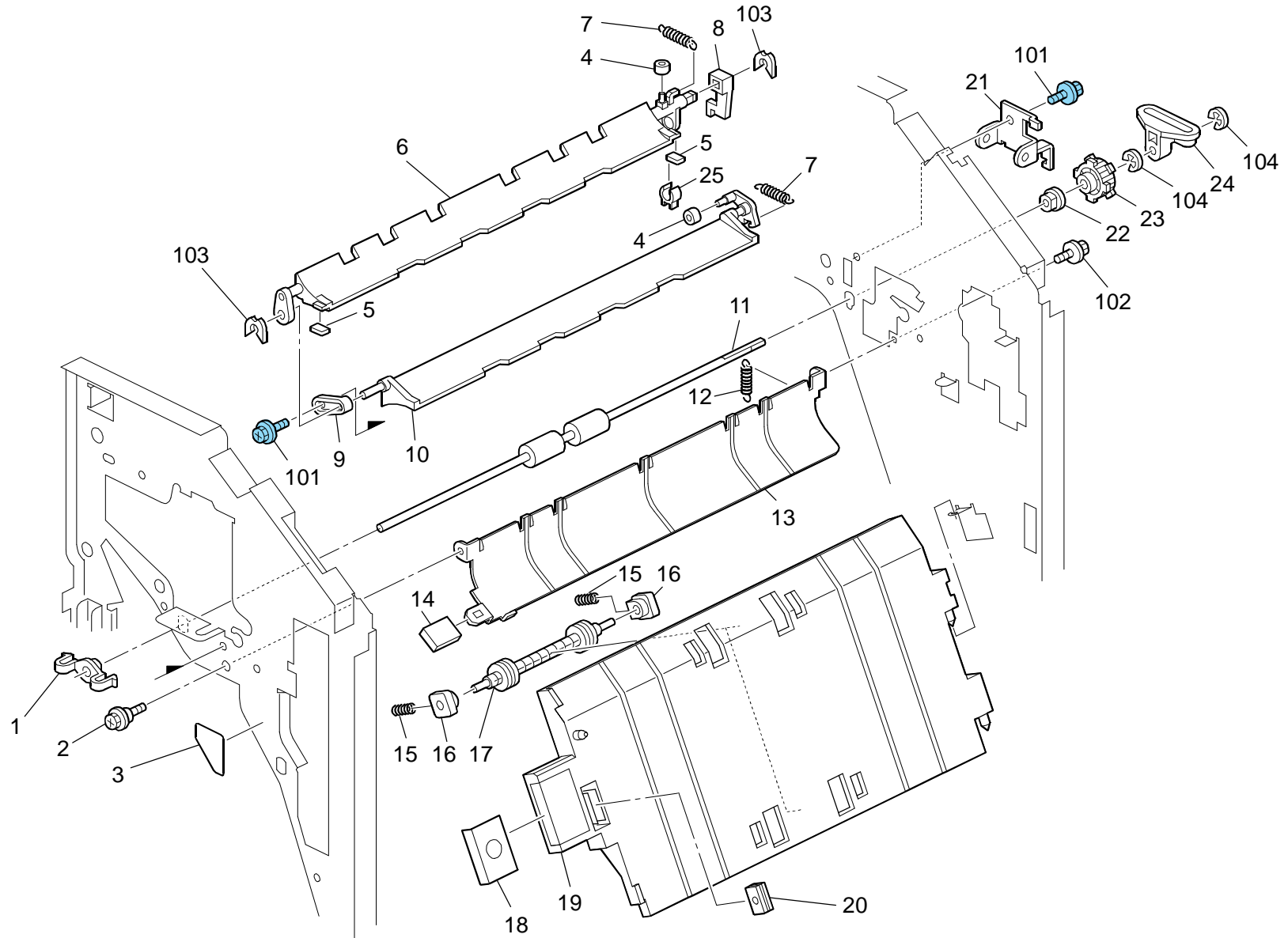


#### 4.Shift Transfer Section (B793)

Index No.	Part No.	Description	Q'ty Per Assembly
1	B793 5830	Stepper Motor DC24V	1
2	B793 2830	Guide Plate Stay	1
3	5447 2681	Snap Ring	1
4	B793 2842	Guide Plate Link	1
5	B468 2882	Link Bushing	1
6	B793 2843	Compression Spring - Guide Plate	1
7	B793 2841	Worm Wheel - 20Z	1
8	B408 2831	Gear - Z53	1
9	B408 2833	Shaft - Worm Wheel	1
10	AW02 0141	Photointerruptor	1
11	B793 2845	Bracket:Sensor	1
12	B793 5227	Harness - Sensor	1
13	B408 2813	Discharge Brush:Exit:Open and Close	1
14	AW01 0109	Photo Refiection Sensor:PS117ED1	1
15	B793 5226	Harness - Paper Feed Sensor	1
16	B793 2811	Exit Guide Plate	1
17	A681 2742	Driven Exit Roller	2
18	A666 4210	Shaft - Exit Roller	1
19	B793 2185	Guide Plate Ass'y	1
20	B793 7865	Decal - Shift Open and Close	1
21	AA06 3529	Pressure Spring - 14.5mm	2
22	B408 2175	Bushing - Roller Slide	2
23	B408 2174	Spring	2
24	B408 2173	Slide Roller	1
25	AG07 0514	Magnet Catch	1
26	B793 2173	Exit Guide	1
27	B793 2172	Guide Plate - Shift Lower	1

Index No.	Part No.	Description	Q'ty Per Assembly
101	0454 3006Q	Tapping Screw - M3x6	
102	0805 0089	Retaining Ring - M4	
103	0720 0040E	Retaining Ring - M4	
104	1105 0623	Clamp - LBWS-0206S-V0	

## 5. Staple Transfer Section 1 (B793)



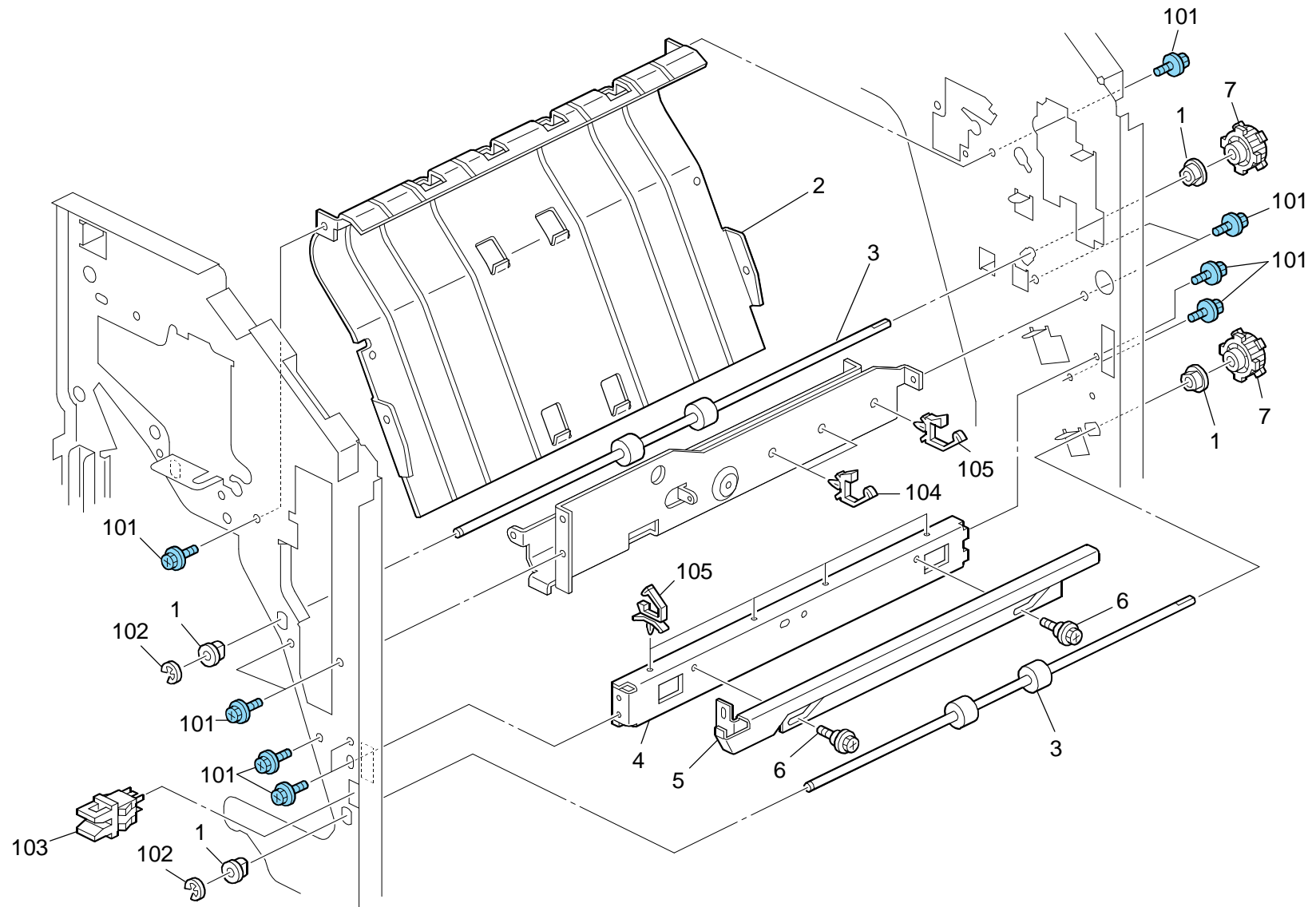
## 5.Staple Transfer Section 1 (B793)



Index No.	Part No.	Description	Q'ty Per Assembly
1	B408 2312	Bushing - Roller Slide	1
2	AA14 3790	Screw:Contact Point	1
3	B793 7873	Decal - Open and Close	1
4	A548 1317	Lever Cushion	2
5	B352 2207	Pad - Stapler Tray	2
6	B793 2531	Gate Pawl - Proof Tray	1
7	B793 2505	Tension Spring - Gate Pawl	2
8	B793 2532	Gate Pawl Arm	1
9	B793 2551	Bushing - Gate Pawl	1
10	B793 2541	Gate Pawl - Staple	1
11	B408 2311	Slide Roller	1
12	B793 2153	Tension Spring - Open and Close	1
13	B793 2152	Guide Plate - Open and Close	1
14	B793 2154	Release Knob	1
15	AA06 3529	Pressure Spring - 14.5mm	4
16	AA08 0237	Bushing - 4x5x7	4
17	AF02 2097	Driven Roller	2
18	B793 7864	Decal - Lengthwise	1
19	B793 2156	Guide Plate - Lengthwise	1
20	AG07 0514	Magnet Catch	1
21	B793 2182	Guide Plate Bracket	1
22	AA08 2101	Bushing - 6x10x6	1
23	B408 2313	Pulley - T24	1
24	B793 2321	Slide Roller Link	1
25	B793 2542	Bushing - Inner Back	1

Index No.	Part No.	Description	Q'ty Per Assembly
101	0454 3006Q	Tapping Screw - M3x6	
102	0451 3010N	Tapping Screw:3x10	
103	0805 0089	Retaining Ring - M4	
104	0720 0040E	Retaining Ring - M4	

## 6. Staple Transfer Section 2 (B793)

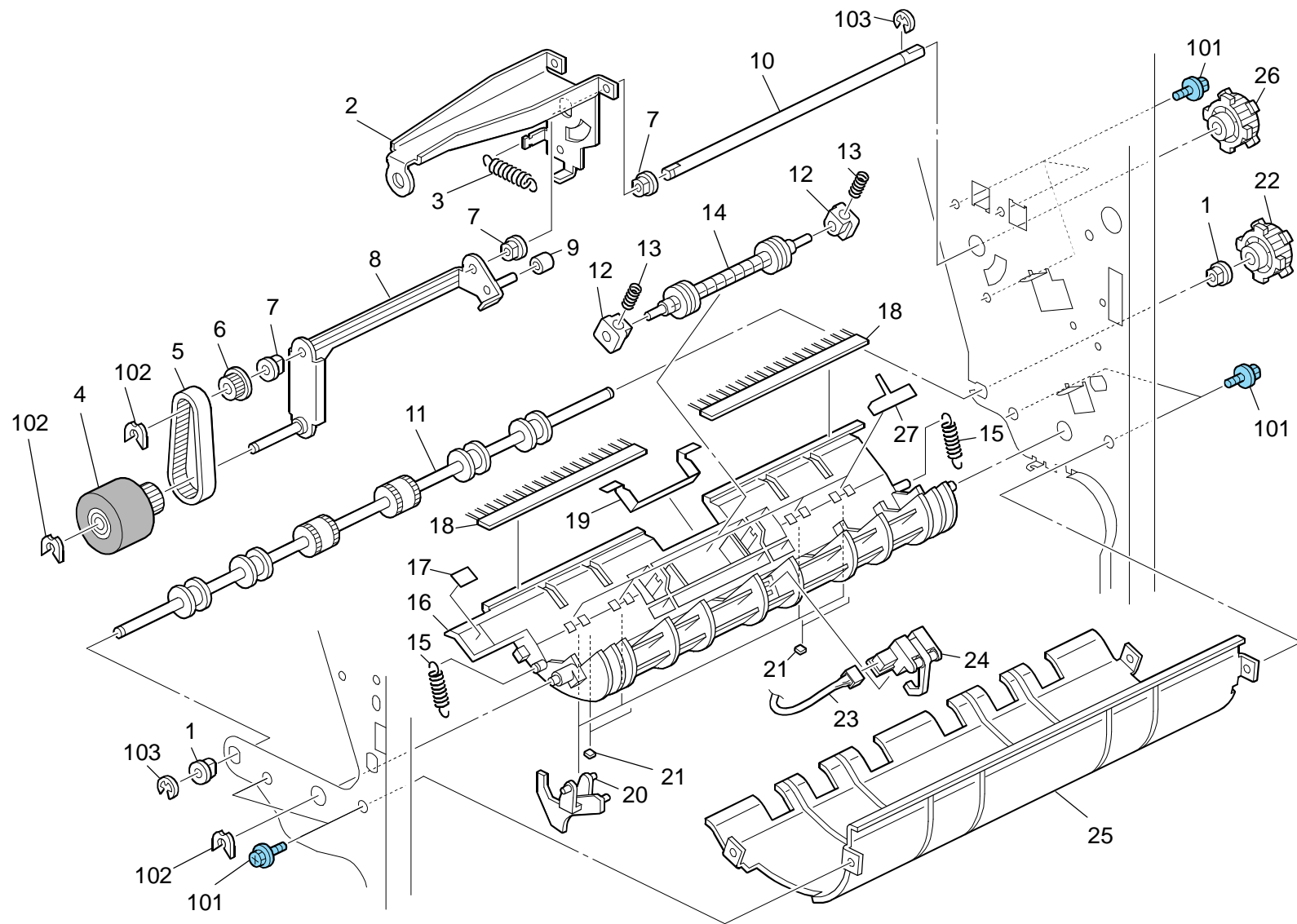


## 6.Staple Transfer Section 2 (B793)

Index No.	Part No.	Description	Q'ty Per Assembly
1	AA08 2101	Bushing - 6x10x6	4
2	B793 2131	Guide Plate - Lengthwise Upper	1
3	B408 2211	Transfer Roller	2
4	B408 1413	Coupling Stay	1
5	B408 1411	Coupling Lever	1
6	AA14 3790	Screw:Contact Point	2
7	B793 2217	Timing Pulley - 24T	2

Index No.	Part No.	Description	Q'ty Per Assembly
101	0454 3006Q	Tapping Screw - M3x6	
102	0720 0040E	Retaining Ring - M4	
103	1204 2702	Switch - FB1L-BA11	
104	1105 0623	Clamp - LBWS-0206S-V0	
105	1105 0619	Clamp:LBWS-0605S-V0	

## 7. Staple Transfer Section 3 (B793)



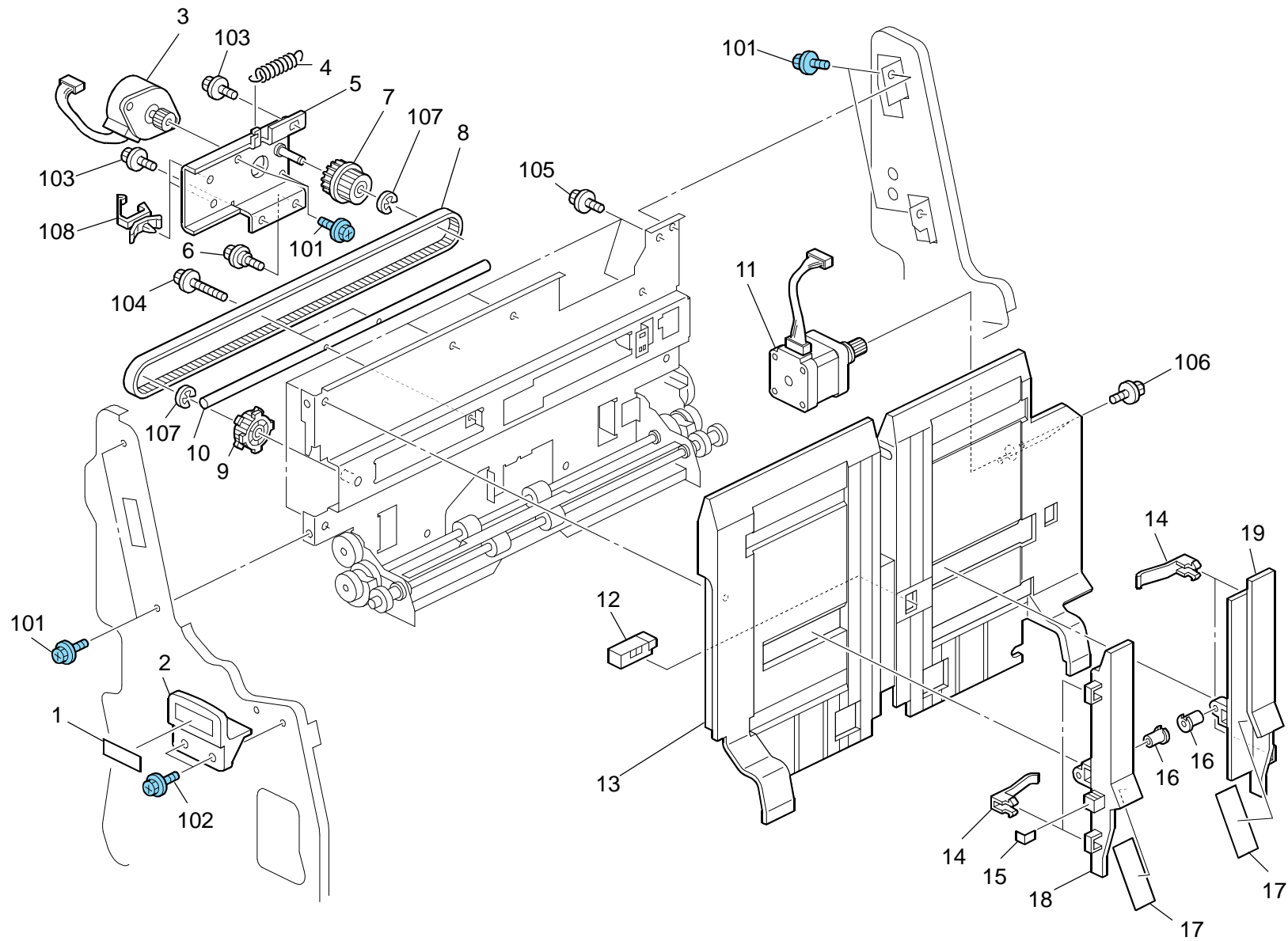
## 7.Staple Transfer Section 3 (B793)

Index No.	Part No.	Description	Q'ty Per Assembly
1	AA08 2101	Bushing - 6x10x6	2
2	B793 2416	Gathering Roller Bracket	1
3	B468 2515	Spring - Gather Roller	1
4	B408 2431	Positioning Roller	1
5	B700 2649	Timing Belt:40S2M144	1
6	B408 2422	Pulley - T16	1
7	5053 0447	Bushing - 6mm	3
8	B793 2411	Gathering Roller Arm	1
9	AA16 1099	Lever Cushion	1
10	B408 2441	Shaft - Positioning Roller	1
11	B408 2251	Stapler Exit Roller	1
12	AA08 0237	Bushing - 4x5x7	2
13	AA06 3529	Pressure Spring - 14.5mm	2
14	AF02 2097	Driven Roller	1
15	B793 2113	Tension Spring	2
16	B793 2112	Guide Plate - Lower Open and Close	1
17	B793 7863	Decal - Lower Open and Close	1
18	B793 2115	Discharge Brush	2
19	B793 2114	Ground Plate - Exit	1
20	B793 2122	Guide:Trailing Edge	4
21	B352 2207	Pad - Stapler Tray	4
22	B793 2217	Timing Pulley - 24T	1
23	B793 5222	Harness - Paper Feed Sensor	1
24	AW02 0154	Photointerruptor:Entrance	1
25	B793 2116	Guide Plate - Lengthwise Lower	1
26	B408 2271	Pulley - T24	1
27	B793 2118	Stopper:Guide:Trailing Edge	4

Index No.	Part No.	Description	Q'ty Per Assembly
101	0454 3006Q	Tapping Screw - M3x6	
102	0805 0089	Retaining Ring - M4	
103	0720 0040E	Retaining Ring - M4	



## 8.Jogger Unit (B793)

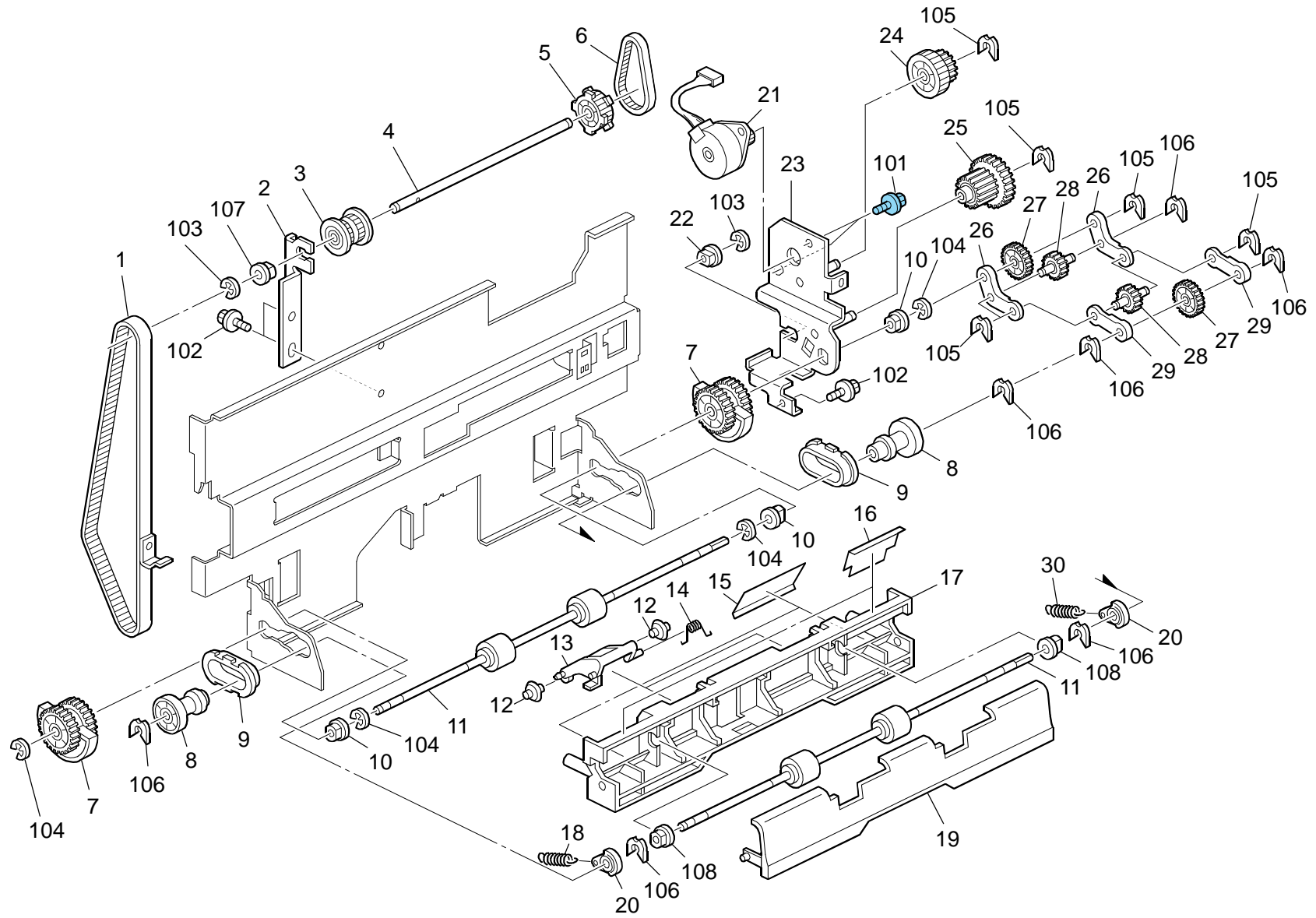


## 8.Jogger Unit (B793)

Index No.	Part No.	Description	Q'ty Per Assembly
1	B793 7867	Decal - Grip Stapler Unit	1
2	B793 4351	Stay Grip	1
3	B793 5815	Stepper Motor DC24V	1
4	B408 4337	Spring	1
5	B793 4561	Jogger Motor Bracket	1
6	AA14 3790	Screw:Contact Point	1
7	B408 4335	Timing Pulley - Jogger	1
8	AA04 3614	Timing Belt - 40S2M796	1
9	A697 4170	Pulley - 32T	1
10	B793 4564	Jogger Fence Shaft	1
11	B793 5813	Stepper Motor DC2.52V	1
12	AW01 0109	Photo Refiection Sensor:PS117ED1	1
13	B793 4402	Stapler Tray	1
14	B408 4363	Slider - Jogger Fence	4
15	B793 7874	Decal - Jogger Fence	1
16	A681 4515	Bushing - 6mm	2
17	B408 4364	Film - Jogger Fence	2
18	B408 4362	Jogger Fence - Front	1
19	B408 4366	Jogger Fence - Inner	1

Index No.	Part No.	Description	Q'ty Per Assembly
101	0454 3006Q	Tapping Screw - M3x6	
102	0454 3008Q	Tapping Screw:3x8	
103	0451 3006N	Tapping Screw - 3x6	
104	0451 3010N	Tapping Screw:3x10	
105	0450 3008N	Tapping Screw - M3x8	
106	0451 3008N	Tapping Screw - M3x8	
107	0720 0040E	Retaining Ring - M4	
108	1105 0487	Harness Clamp	

# 9. Staple Transfer Section 1 (B793)



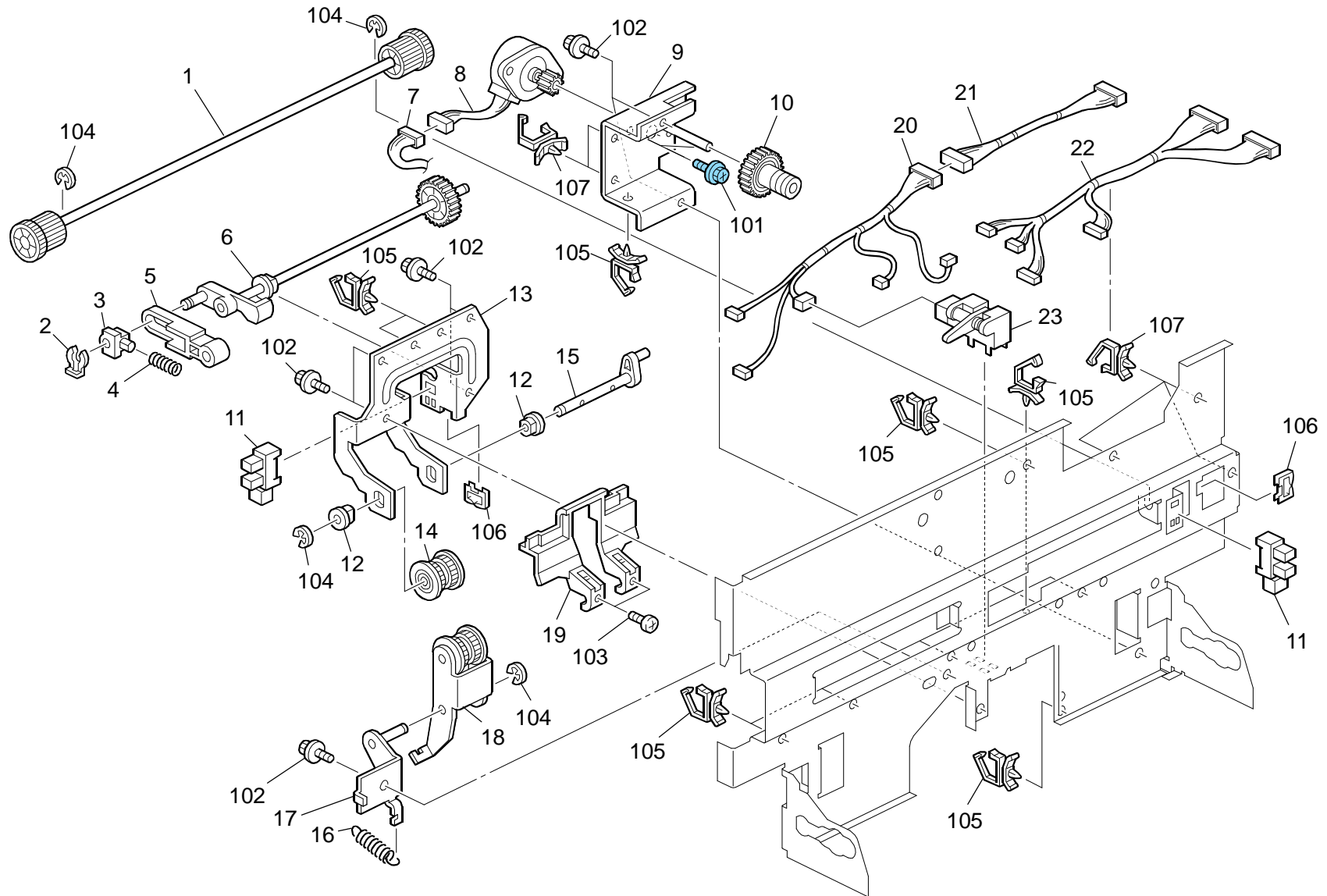
## 9.Staple Transfer Section 1 (B793)

Index No.	Part No.	Description	Q'ty Per Assembly
1	B793 4510	Exit Belt Ass'y	1
2	B793 4513	Exit Belt Bracket	1
3	A666 3180	Timing Pulley - Z32	1
4	B793 4540	Shaft - Drive Exit Belt	1
5	B408 4382	Pulley - T26	1
6	AA04 3613	Timing Belt - 40S3M177	1
7	B793 4612	Release Cam - Transport Roller	2
8	B793 4626	Release Staple Slider	2
9	B793 4625	Bushing - Staple Transport	2
10	AA08 2104	Bushing - 8x12x7	3
11	B793 4611	Staple Transport Roller	2
12	B793 4628	Plate Roller	4
13	B793 4623	Guide - Trailing Edge Plate	2
14	B793 4627	Torsion Spring - Guide Trailing Edg	2
15	B793 4624	Guide - Staple Transport	2
16	B793 4629	Staple:Transport Guide - Upper	2
17	B793 4622	Transport Guide Plate	1
18	B793 4614	Tension Spring - Stapler	1
19	B793 4615	Cover - Transport Guide Plate	1
20	B793 4613	Holder Spring	2
21	B793 5830	Stepper Motor DC24V	1
22	AA08 2101	Bushing - 6x10x6	1
23	B793 4641	Stepper Motor Bracket	1
24	B793 4645	Gear - 25Z/68Z	1
25	B793 4646	Gear - 25Z/52Z	1
26	B793 4651	Drive Gear Arm	2
27	B793 4647	Gear - 25Z	2
28	B793 4656	Gear - 20Z	2
29	B793 4652	Driven Gear Arm	2
30	B793 4616	Tension Spring - Rear	1

Index No.	Part No.	Description	Q'ty Per Assembly
101	0454 3006Q	Tapping Screw - M3x6	
102	0451 3006N	Tapping Screw - 3x6	
103	0720 0040E	Retaining Ring - M4	
104	0720 0060E	Retaining Ring - M6	
105	0805 0089	Retaining Ring - M4	
106	0805 0088	Retaining Ring - M6	
107	0805 3385	Bushing - 6mm	
108	0805 3386	Bushing - 8mm	



# 10.Staple Transfer Section 2 (B793)

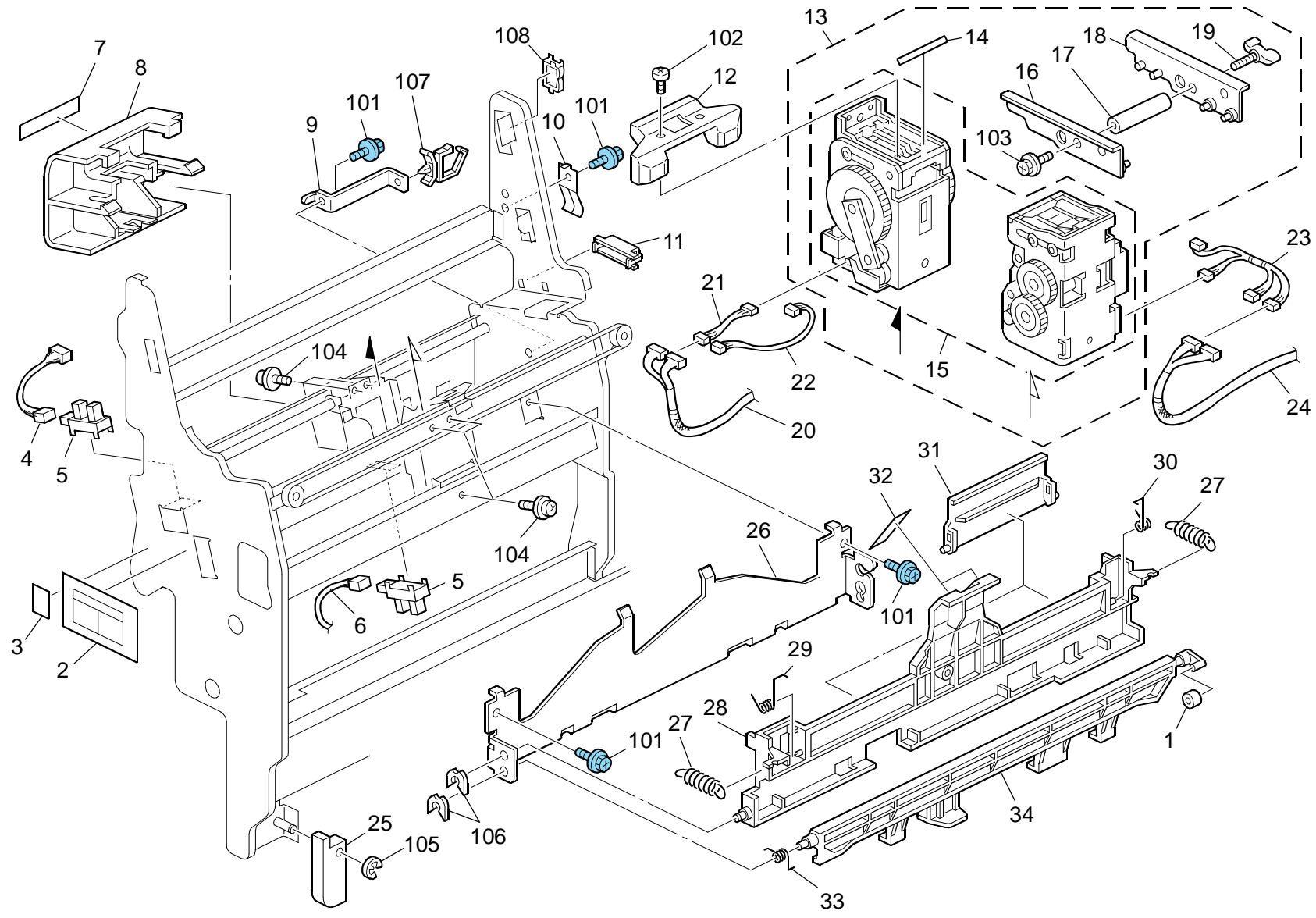


## 10.Staple Transfer Section 2 (B793)

Index No.	Part No.	Description	Q'ty Per Assembly
1	B793 4635	Worm Wheel Shaft	1
2	5447 2681	Snap Ring	1
3	B793 4732	Link Bushing	1
4	B793 4733	Compression Spring - Link	1
5	B793 4731	Standard Fence Link	1
6	B793 4723	Shaft:Drive:Standard Fence	1
7	B793 5233	Harness - Motor	1
8	B793 5815	Stepper Motor DC24V	1
9	B793 4632	Motor:Transport Bracket	1
10	B408 2831	Gear - Z53	1
11	AW02 0141	Photointerruptor	2
12	AA08 2101	Bushing - 6x10x6	2
13	B793 4715	Standard Fence Bracket	1
14	A666 3180	Timing Pulley - Z32	1
15	B793 4713	Standard Fence Shaft	1
16	B793 4514	Tension Spring:Exit Belt	1
17	B793 4531	Tightener Bracket	1
18	B408 4395	Pulley - Exit Belt	1
19	B793 4714	Standard Fence:Upper	1
20	B793 5241	Harness - Stapler Unit Sensor	1
21	B793 5242	Harness - Stapler Unit Sensor	1
22	B793 5231	Harness - Stapler Unit Motor	1
23	AW02 0166	Photointerruptor:Paper Feed Sensor	1

Index No.	Part No.	Description	Q'ty Per Assembly
101	0454 3006Q	Tapping Screw - M3x6	
102	0451 3006N	Tapping Screw - 3x6	
103	0453 3008N	Binding Self Tapping Screw:3x8	
104	0720 0040E	Retaining Ring - M4	
105	1105 0623	Clamp - LBWS-0206S-V0	
106	1105 0328	Harness Clamp - ES-0505	
107	1105 0487	Harness Clamp	

# 11. Staple Transfer Section 3 (B793)



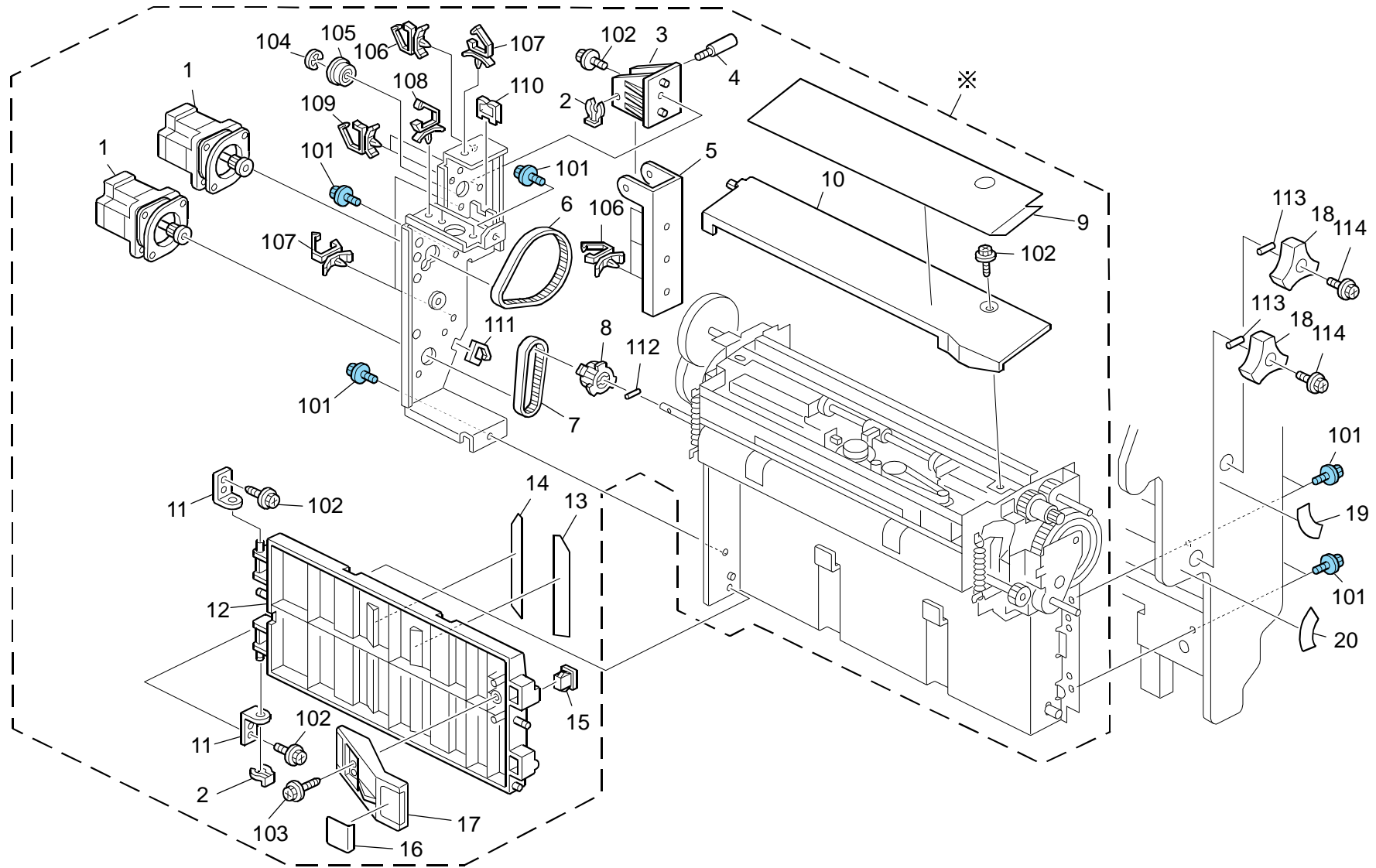
### 11. Staple Transfer Section 3 (B793)

Index No.	Part No.	Description	Q'ty Per Assembly
1	A548 1317	Lever Cushion	1
2	B793 7897	Decal:Caution:Paper Crimp Sub-unit	1
3	B793 7875	Decal - Cartridge S1	1
4	B793 5255	Harness - Move Sensor	1
5	AW02 0141	Photointerruptor	2
6	B793 5247	Harness - Positioning Sensor	1
7	B793 7876	Decal - Caution Cartridge	1
8	B793 4215	Stapler Cover	1
9	B468 5991	Harness Bracket	1
10	B793 4125	Ground Plate - Stapler Unit	1
11	AG07 1012	Magnet Catch:Ass'y	1
12	B793 4251	Standard Fence Guide	1
13	B793 6400	Stapler:Service Parts:Ass'y	1
14	B793 4252	Stapler Guide	1
15	AJ01 1021	Stapler:EH-581R	1
16	B793 6410	Holder:Front:Ass'y	1
17	B793 6431	Rod:Clamp	1
18	B793 6420	Holder:Rear:Ass'y	1
19	B793 6432	Adjusting Screw:M4	1
20	B793 5260	Harness - Stapler Driver	1
21	B793 5262	Harness - Sensor	1
22	B793 5261	Harness - Motor	1
23	B793 5251	Harness - Stapler	1
24	B793 5250	Harness - Stapler	1
25	B793 4155	Stapler Unit Stand	1
26	B793 4311	Stapler Guide - Left	1
27	B793 4333	Tension Spring - Guide Plate Right	2
28	B793 4331	Stapler Guide Plate - Right	1
29	B793 4334	Torsion Spring - Guide Front	1
30	B793 4335	Torsion Spring - Guide Rear	1
31	B793 4332	Stapler Guide - Right	2
32	B793 4341	Standard Fence Guide	2
33	B793 4353	Torsion Spring:Standard Fence:Lower	1
34	B793 4352	Standard Fence - Lower	1

Index No.	Part No.	Description	Q'ty Per Assembly
101	0454 3006Q	Tapping Screw - M3x6	
102	0452 3006N	Binding Self-tapping Screw:3x6	
103	0451 3008N	Tapping Screw - M3x8	
104	0951 3006N	Screw - M3x6	
105	0720 0040E	Retaining Ring - M4	
106	0805 0089	Retaining Ring - M4	
107	1105 0488	Harness Clamp	
108	1105 0334	Edge - 17	



## 12.Paper Crimp Section 1 (B793)

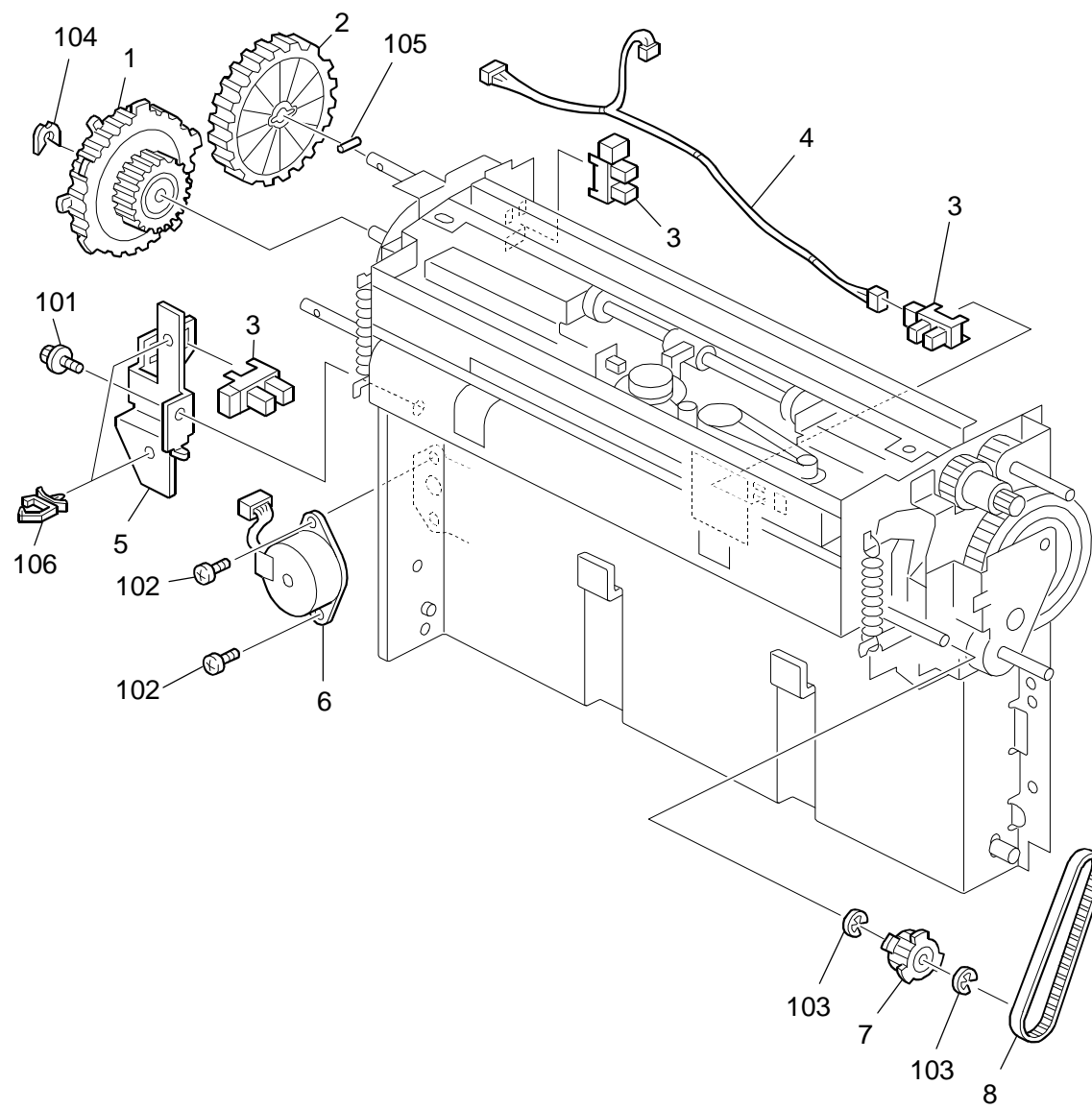


## 12.Paper Crimp Section 1 (B793)

Index No.	Part No.	Description	Q'ty Per Assembly
*	B793 4061	Paper Crimp Unit	1
1	B793 4082	Stepper Motor DC1.76V	2
2	5206 2686	Snap Ring	2
3	B700 4521	Holder:Arm:Harness	1
4	B700 4523	Pin:Fix:Arm	1
5	B700 4522	Arm:Harness:Stapler Unit	1
6	B700 4787	Timing Belt:B80S3M237	1
7	B700 4785	Timing Belt:B80S3M156	1
8	B700 4784	Pulley:22t	1
9	B793 4809	Sheet:Cover:Upper:Paper Crimp Sub-unit	1
10	B793 4807	Cover:Upper:Paper Crimp Sub-unit	1
11	B700 4879	Bracket:Contact Point	2
12	B700 4875	Guide Plate:Open and Close:Lower	1
13	B700 4873	Guide:Open and Close:Front	1
14	B700 4874	Guide:Open and Close:Rear	1
15	B352 2650	Magnet Catch - 5N	1
16	B793 7872	Decal - Guide Plate	1
17	B700 4877	Grip:Guide Plate	1
18	B700 4885	Knob:Paper Crimp	2
19	B793 7869	Decal - Knob Roller	1
20	B793 7868	Decal - Knob Blade	1

Index No.	Part No.	Description	Q'ty Per Assembly
101	0454 3006Q	Tapping Screw - M3x6	
102	0451 3006N	Tapping Screw - 3x6	
103	0450 3008N	Tapping Screw - M3x8	
104	0720 0060E	Retaining Ring - M6	
105	0742 3808	Ball Bearing - 8x16x5	
106	1105 0489	Harness Clamp - LWS 1316	
107	1105 0487	Harness Clamp	
108	1105 0516	Clamp	
109	1105 0488	Harness Clamp	
110	1105 0328	Harness Clamp - ES-0505	
111	1105 0522	Edge Saddle - LES0510	
112	0633 0140G	Parallel Pin - 3x14	
113	0633 0180G	Parallel Pin - 3x18mm	
114	0451 3008N	Tapping Screw - M3x8	

### 13.Paper Crimp Section 2 (B793)

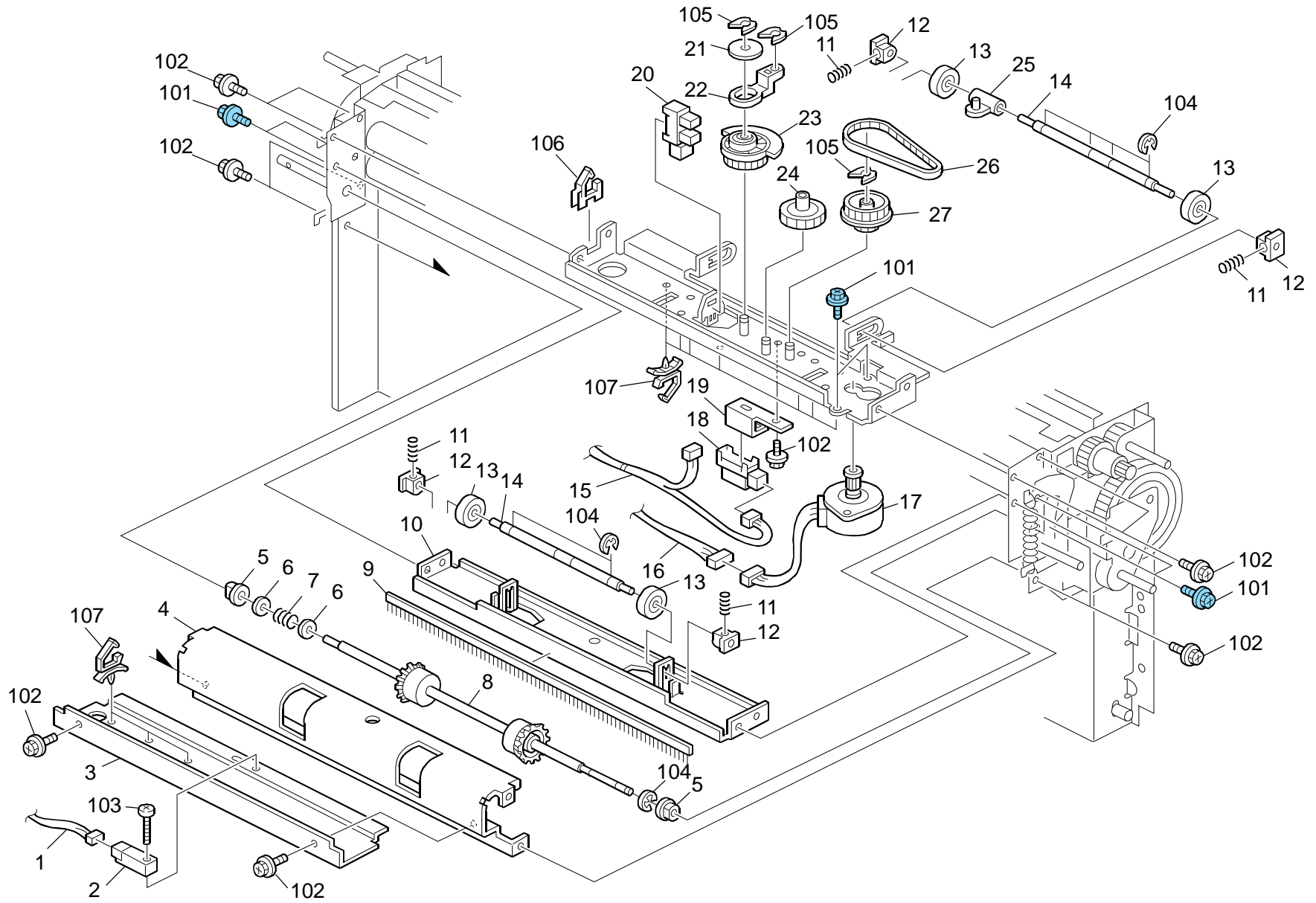


### 13.Paper Crimp Section 2 (B793)

Index No.	Part No.	Description	Q'ty Per Assembly
1	B700 4782	Pulley:31T	1
2	B700 4781	Gear:62T	1
3	AW02 0141	Photointerruptor	3
4	B793 5243	Harness:Connecting:Stopper:Sensor	1
5	B700 4770	Bracket:Home Position Sensor:Blade	1
6	B700 5804	Stepper Motor:DIA42:Z17:Ass'y	1
7	B700 4718	Pulley:27T	1
8	B700 4720	Timing Belt:B40S2M214	1

Index No.	Part No.	Description	Q'ty Per Assembly
101	0451 3006N	Tapping Screw - 3x6	
102	0453 3006N	Tapping Screw - M3x6	
103	0720 0040E	Retaining Ring - M4	
104	0805 0088	Retaining Ring - M6	
105	0633 0140G	Parallel Pin - 3x14	
106	1105 0623	Clamp - LBWS-0206S-V0	

# 14.Paper Crimp Section 3 (B793)

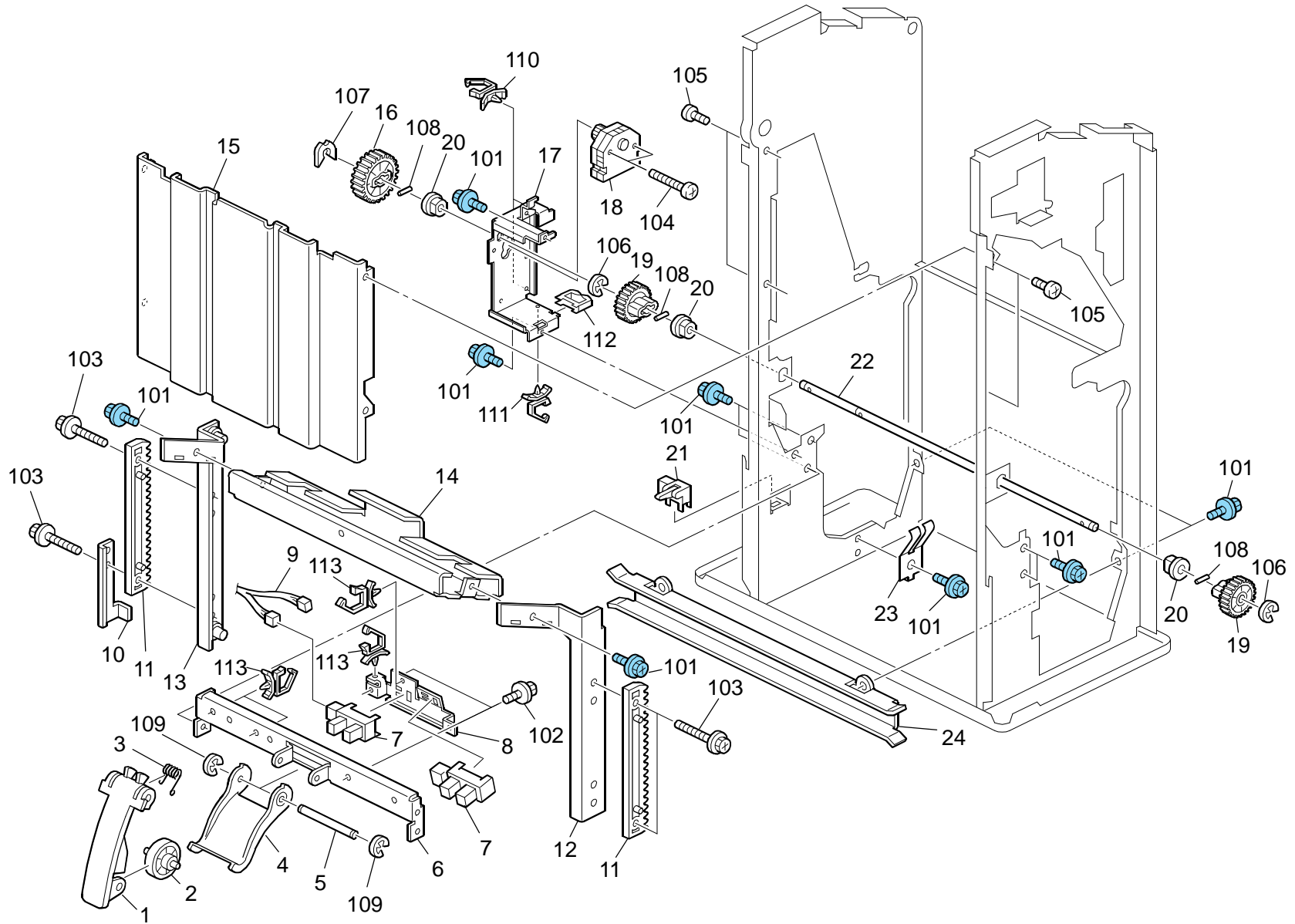


### 14.Paper Crimp Section 3 (B793)

Index No.	Part No.	Description	Q'ty Per Assembly
1	B793 5245	Harness:Connecting:Transport Sensor	1
2	AW01 0109	Photo Refiection Sensor:PS117ED1	1
3	B700 4763	Guide Plate:Roller:Lower	1
4	B700 4745	Guide Plate:Exit:Lower	1
5	AA08 2101	Bushing - 6x10x6	2
6	AA13 2208	Spacer - M6	2
7	B700 4713	Compression Spring	1
8	B700 4715	Exit Roller:Paper Crimp Sub-unit	1
9	B793 4808	Discharge Brush:Exit	1
10	B700 4753	Guide Plate:Exit:Upper	1
11	B700 4757	Compression Spring:Transport Roller	4
12	AA08 0237	Bushing - 4x5x7	4
13	B478 2328	Exit Roller:Driven	4
14	B700 4755	Shaft:Driven	2
15	B793 5246	Harness:Connecting:Sensor	1
16	B793 5232	Harness:Connecting:Swivel:Motor	1
17	B793 5831	Stepper Motor:DIA42:T15:Ass'y	1
18	GW01 0007	Photo Refiection Sensor:Exit	1
19	B700 4835	Bracket:Paper Feed Sensor	1
20	AW02 0141	Photointerruptor	1
21	B700 4829	Spacer:Release:Transport	1
22	B700 4827	Joint:Release:Transport	1
23	B700 4821	Cam:Release:Transport	1
24	B700 4823	Gear:56Z	1
25	B700 4810	Shaft:Driven:Release	1
26	AA04 3615	Timing Belt:40S2M208	1
27	B700 4825	Gear:28Z	1

Index No.	Part No.	Description	Q'ty Per Assembly
101	0454 3006Q	Tapping Screw - M3x6	
102	0451 3006N	Tapping Screw - 3x6	
103	0453 3014N	Binding Self Tapping Screw 3x14	
104	0720 0040E	Retaining Ring - M4	
105	0805 0089	Retaining Ring - M4	
106	1105 0522	Edge Saddle - LES0510	
107	1105 0623	Clamp - LBWS-0206S-V0	

# 15. Tray Drive Section (B793)



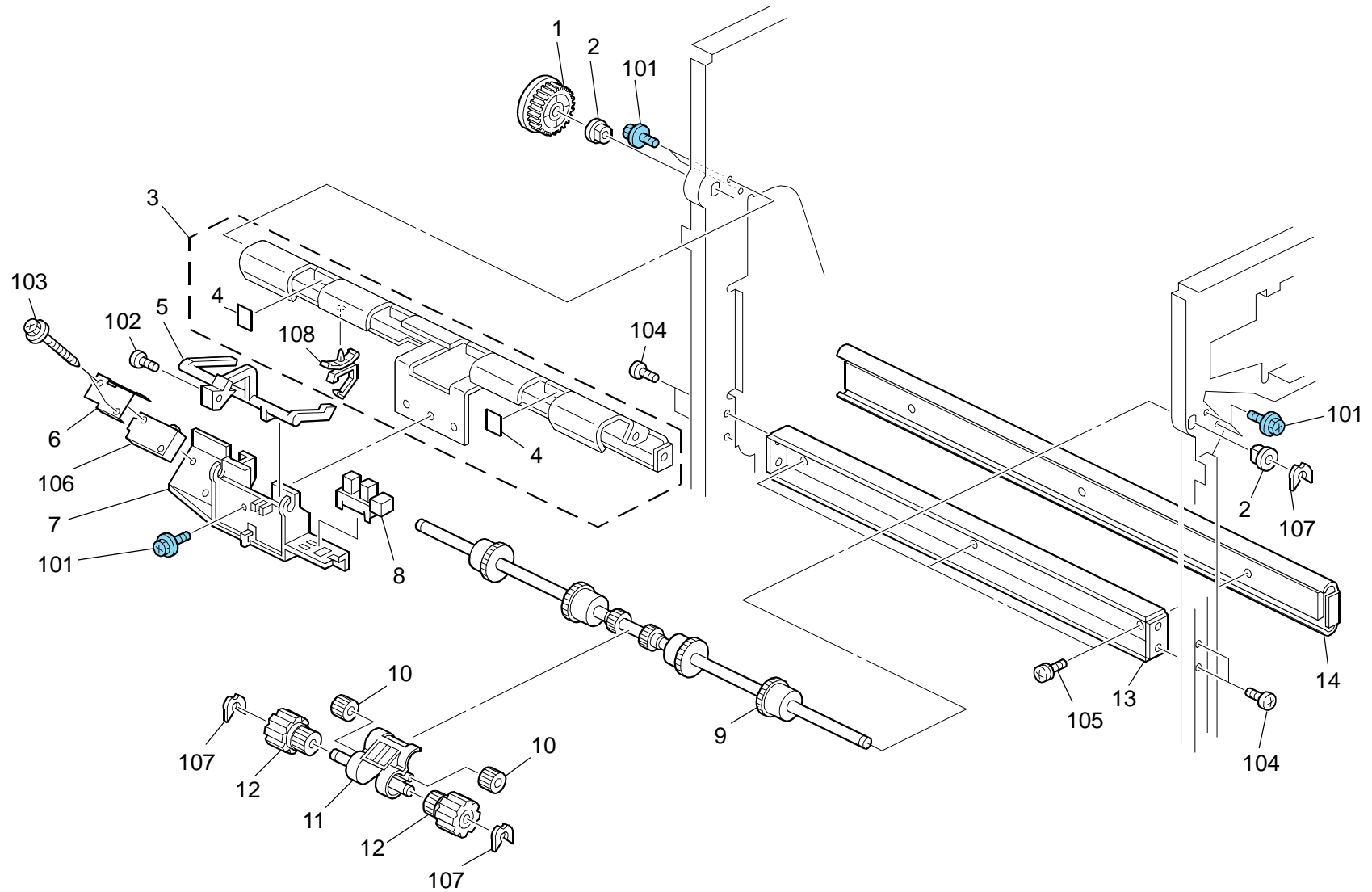
## 15.Tray Drive Section (B793)

Index No.	Part No.	Description	Q'ty Per Assembly
1	B804 3720	Arm:Paper Senser:Paper Exit Sub-unit: Paper Crimp	1
2	B700 3730	Roller:Plate:Paper Exit Sub-unit	1
3	B700 3740	Spring:Arm:16mN.m	1
4	B700 3725	Arm:Plate:Paper Exit Sub-unit	1
5	B700 3715	Shaft:Arm:Paper Exit Sub-unit	1
6	B793 1811	Guide Plate - Paper Crimp	1
7	AW02 0141	Photointerruptor	2
8	B700 3710	Bracket:Surface of Paper Sensor	1
9	B793 5224	Harness - Sensor	1
10	B408 3233	Tray H.p Sensor Feeler	1
11	A666 2331	Rack	2
12	B408 3221	Front Guide Plate	1
13	B408 3231	Rear Guide Plate	1
14	B408 3211	Tray Base	1
15	B408 3112	End Fence	1
16	G838 2347	Gear:Z45	1
17	B793 3111	DC Motor Bracket	1
18	AX04 0214	DC Motor:Shift:Upper Lower:Drive	1
19	B793 3121	Gear - 20Z	2
20	AA08 2104	Bushing - 8x12x7	3
21	AW02 0166	Photointerruptor:Paper Feed Sensor	1
22	B793 3122	Shaft - Drive Shift Tray	1
23	B793 4125	Ground Plate - Stapler Unit	1
24	B793 1851	Lower Slide Stay	1

Index No.	Part No.	Description	Q'ty Per Assembly
101	0454 3006Q	Tapping Screw - M3x6	
102	0451 3006N	Tapping Screw - 3x6	
103	0451 3010N	Tapping Screw:3x10	
104	0353 0400N	Screw - M3x40	
105	0453 3006N	Tapping Screw - M3x6	
106	0720 0060E	Retaining Ring - M6	
107	0805 0088	Retaining Ring - M6	
108	0633 0140G	Parallel Pin - 3x14	
109	0720 0040E	Retaining Ring - M4	
110	1105 0489	Harness Clamp - LWS 1316	
111	1105 0487	Harness Clamp	
112	1105 0328	Harness Clamp - ES-0505	
113	1105 0623	Clamp - LBWS-0206S-V0	



# 16.Shift Tray Paper Exit (B793)

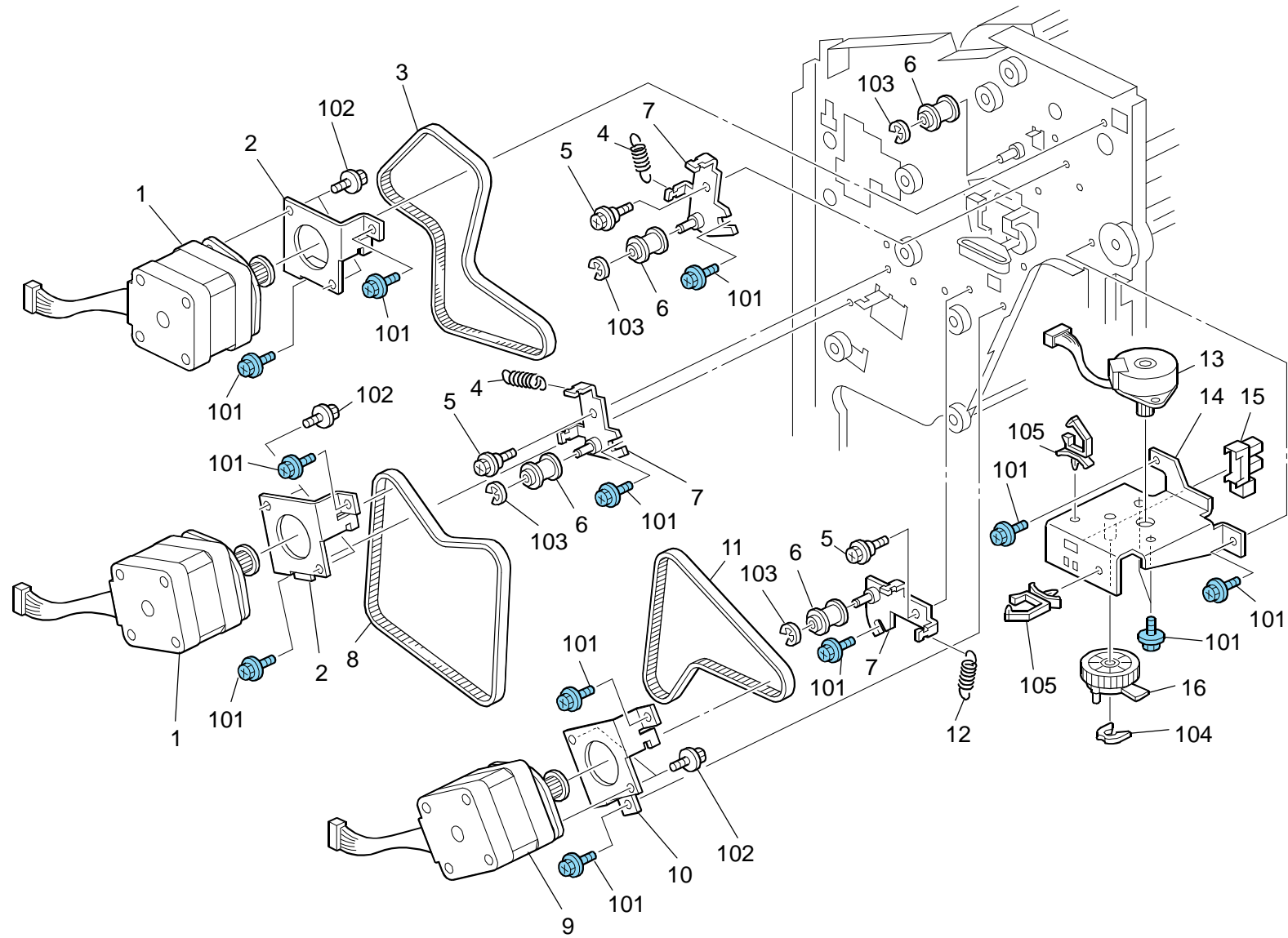


### 16.Shift Tray Paper Exit (B793)

Index No.	Part No.	Description	Q'ty Per Assembly
1	B793 2242	Timing Pulley - 30T	1
2	AA08 2101	Bushing - 6x10x6	2
3	B793 2193	Exit Guide Plate Ass'y	1
4	B793 2192	Exit Sheet	2
5	B793 3212	Feeler - Surface of Paper Sensor	1
6	B408 3613	Lever - Micro Switch	1
7	B793 3211	Stay - Surface of Paper Sensor	1
8	AW02 0141	Photointerruptor	1
9	B408 2241	Exit Roller	1
10	B352 2409	Idler Gear - 17Z	2
11	B408 2246	Reverse Roller Arm	1
12	B352 2407	Reverse Roller - 20Z	2
13	B793 1412	Slide Rail Stay	1
14	B793 1161	Slide Rail - 508mm	1

Index No.	Part No.	Description	Q'ty Per Assembly
101	0454 3006Q	Tapping Screw - M3x6	
102	0452 3008N	Tapping Screw - M3x8	
103	0450 3020N	Tapping Screw:M3x20	
104	0453 3006N	Tapping Screw - M3x6	
105	0950 3005N	Screw:Spring Washer:M3x5	
106	1204 2540	Micro Switch - AM50650C3	
107	0805 0089	Retaining Ring - M4	
108	1105 0623	Clamp - LBWS-0206S-V0	

# 17. Drive Section (B793)



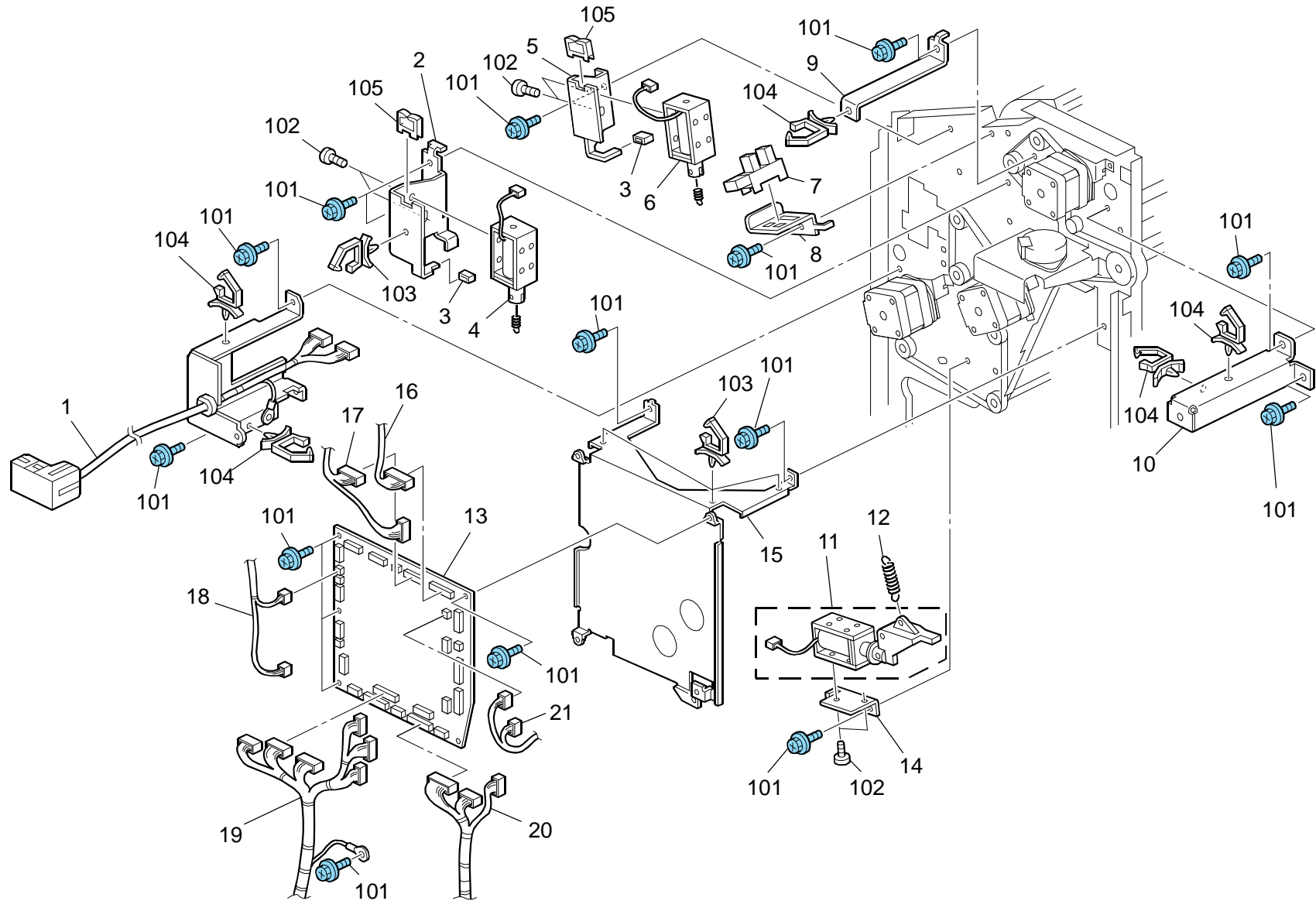
## 17. Drive Section (B793)



Index No.	Part No.	Description	Q'ty Per Assembly
1	B793 5811	Stepper Motor DC2.52V	2
2	B793 2911	Stepper Motor Bracket	2
3	AA04 3629	Timing Belt - 60S3M564	1
4	B700 1501	Tension Spring - Pressure	2
5	AA14 3790	Screw:Contact Point	3
6	A548 2139	Pulley	4
7	B408 2955	Bracket:Tightener:Ass'y	3
8	AA04 3618	Timing Belt - 40S3M453	1
9	B793 5812	Stepper Motor DC3.08V	1
10	B793 2941	Stepper Motor Bracket	1
11	AA04 3617	Timing Belt - 40S3M297	1
12	B793 2901	Tension Spring - Belt Tensioner	1
13	B793 5817	Stepper Motor DC24V	1
14	B793 2311	Drive Shift Bracket	1
15	AW02 0141	Photointerruptor	1
16	B408 2331	Link Drive Gear	1

Index No.	Part No.	Description	Q'ty Per Assembly
101	0454 3006Q	Tapping Screw - M3x6	
102	0451 3006N	Tapping Screw - 3x6	
103	0720 0040E	Retaining Ring - M4	
104	0805 0089	Retaining Ring - M4	
105	1105 0487	Harness Clamp	

# 18. Electrical Section (B793)

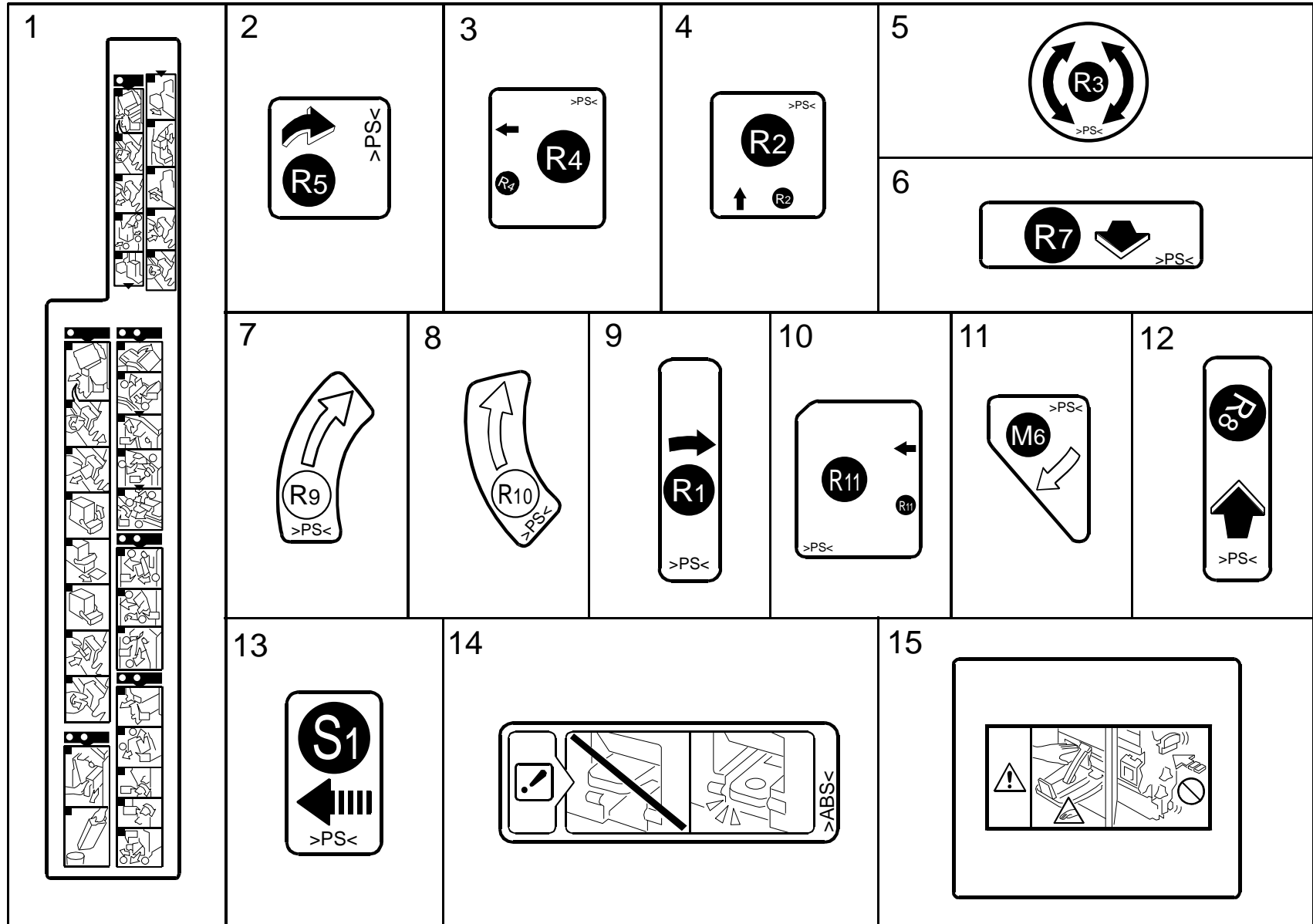


## 18.Electrical Section (B793)

Index No.	Part No.	Description	Q'ty Per Assembly
1	B793 5201	Harness - Interface	1
2	B793 2521	Gate Pawl Dcsol Bracket	1
3	A697 2102	Damper - Junction Gate Solenoid	2
4	B793 2524	DC Solenoid DC24V	1
5	B700 2510	Bracket:Dcsol:Gate Pawl:Proof Tray	1
6	B793 2515	DC Solenoid DC24V	1
7	AW02 0141	Photointerruptor	1
8	B793 1122	Sensor Bracket	1
9	B468 5991	Harness Bracket	1
10	B793 1121	Rear Cover Bracket	1
11	B793 2415	DC Solenoid:Gathering Roller:Ass'y	1
12	B793 2419	Tension Spring - Release	1
13	B793 5511	PCB:Main Control:Ass'y	1
14	B408 2512	Bracket - DC Solenoid	1
15	B793 5521	PCB Bracket	1
16	B793 5220	Harness - PCB Sensor	1
17	B793 5210	Harness - PCB Motor	1
18	B793 5223	Harness - Safety Switch	1
19	B793 5280	Harness:Main:Motor	1
20	B793 5240	Harness - Main Sensor	1
21	B793 5221	Harness - Paper Senser	1

Index No.	Part No.	Description	Q'ty Per Assembly
101	0454 3006Q	Tapping Screw - M3x6	
102	0353 0040N	Screw - M3x4	
103	1105 0623	Clamp - LBWS-0206S-V0	
104	1105 0487	Harness Clamp	
105	1105 0328	Harness Clamp - ES-0505	

# 19. Decals And Documents (B793)



### 19.Decals And Documents (B793)

Index No.	Part No.	Description	Q'ty Per Assembly
1	B793 7861	Decal - Misfeed Removal	1
2	B793 7863	Decal - Lower Open and Close	1
3	B793 7864	Decal - Lengthwise	1
4	B793 7865	Decal - Shift Open and Close	1
5	B793 7866	Decal - Knob	1
6	B793 7867	Decal - Grip Stapler Unit	1
7	B793 7868	Decal - Knob Blade	1
8	B793 7869	Decal - Knob Roller	1
9	B793 7871	Decal - Proof Tray	1
10	B793 7872	Decal - Guide Plate	1
11	B793 7873	Decal - Open and Close	1
12	B793 7874	Decal - Jogger Fence	1
13	B793 7875	Decal - Cartridge S1	1
14	B793 7876	Decal - Caution Cartridge	1
15	B793 7897	Decal:Caution:Paper Crimp Sub-unit	1

Index No.	Part No.	Description	Q'ty Per Assembly



# Parts Index

## Parts Index

Part No.	Description	Page and Index No.
B793 1121	Rear Cover Bracket	37 - 10
B793 1122	Sensor Bracket	37 - 8
B793 1161	Slide Rail - 508mm	33 - 14
B793 1221	Inner Cover - Front	5 - 3
B793 1313	Caster:H43	3 - 10
B793 1412	Slide Rail Stay	33 - 13
B793 1421	Bracket:Coupling:Ground Plate:Rear:Ass'y	3 - 19
B793 1425	Bracket:Coupling:Ground Plate:Front:Ass'y	3 - 20
B793 1512	Toner Hopper Cover - Front	5 - 8
B793 1811	Guide Plate - Paper Crimp	31 - 6
B793 1851	Lower Slide Stay	31 - 24
B793 2112	Guide Plate - Lower Open and Close	15 - 16
B793 2113	Tension Spring	15 - 15
B793 2114	Ground Plate - Exit	15 - 19
B793 2115	Discharge Brush	15 - 18
B793 2116	Guide Plate - Lengthwise Lower	15 - 25
B793 2118	Stopper:Guide:Trailing Edge	15 - 27
B793 2121	Guide Plate - Proof Tray	7 - 8
B793 2122	Guide:Trailing Edge	15 - 20
B793 2131	Guide Plate - Lengthwise Upper	13 - 2
B793 2142	Spring Plate - Proof Tray	7 - 14
B793 2144	Spring Plate - Roller Driven	7 - 11
B793 2145	Discharge Brush - Proof Tray	7 - 12
B793 2146	Guide Plate - Proof Tray	7 - 13
B793 2148	Roller:Driven:DIA14	7 - 10
B793 2152	Guide Plate - Open and Close	11 - 13
B793 2153	Tension Spring - Open and Close	11 - 12
B793 2154	Release Knob	11 - 14
B793 2156	Guide Plate - Lengthwise	11 - 19
B793 2161	Entrance Driven Roller	5 - 13
B793 2162	Compression Spring - Transport Roller	5 - 16
B793 2163	Bushing - Roller Driven	5 - 17
B793 2164	Entrance Sensor Bracket	5 - 22
B793 2172	Guide Plate - Shift Lower	9 - 27
B793 2173	Exit Guide	9 - 26

Part No.	Description	Page and Index No.
B793 2176	Guide Plate:Entrance:Ass'y	5 - 18
B793 2178	Guide:Guide Plate:Connecting	5 - 19
B793 2179	Guide Plate:Connecting:Lower	5 - 20
B793 2182	Guide Plate Bracket	11 - 21
B793 2185	Guide Plate Ass'y	9 - 19
B793 2192	Exit Sheet	33 - 4
B793 2193	Exit Guide Plate Ass'y	33 - 3
B793 2211	Entrance Transport Roller	5 - 15
B793 2212	Transport Roller Spacer	5 - 6
B793 2217	Timing Pulley - 24T	13 - 7
B793 2217	Timing Pulley - 24T	15 - 22
B793 2217	Timing Pulley - 24T	5 - 24
B793 2217	Timing Pulley - 24T	7 - 17
B793 2221	Transport Roller - Long	5 - 14
B793 2242	Timing Pulley - 30T	33 - 1
B793 2311	Drive Shift Bracket	35 - 14
B793 2321	Slide Roller Link	11 - 24
B793 2411	Gathering Roller Arm	15 - 8
B793 2415	DC Solenoid:Gathering Roller:Ass'y	37 - 11
B793 2416	Gathering Roller Bracket	15 - 2
B793 2419	Tension Spring - Release	37 - 12
B793 2452	Bracket:Sensor:Proof Tray	7 - 4
B793 2453	Guide:Sensor:Proof Tray	7 - 18
B793 2505	Tension Spring - Gate Pawl	11 - 7
B793 2515	DC Solenoid DC24V	37 - 6
B793 2521	Gate Pawl Dcsol Bracket	37 - 2
B793 2524	DC Solenoid DC24V	37 - 4
B793 2531	Gate Pawl - Proof Tray	11 - 6
B793 2532	Gate Pawl Arm	11 - 8
B793 2541	Gate Pawl - Staple	11 - 10
B793 2542	Bushing - Inner Back	11 - 25
B793 2551	Bushing - Gate Pawl	11 - 9
B793 2611	Guide Plate - Lower	5 - 12
B793 2612	Guide Plate - Upper	5 - 10
B793 2613	Link - Guide Plate Cover	5 - 9

Part No.	Description	Page and Index No.
B793 2811	Exit Guide Plate	9 - 16
B793 2830	Guide Plate Stay	9 - 2
B793 2841	Worm Wheel - 20Z	9 - 7
B793 2842	Guide Plate Link	9 - 4
B793 2843	Compression Spring - Guide Plate	9 - 6
B793 2845	Bracket:Sensor	9 - 11
B793 2901	Tension Spring - Belt Tensioner	35 - 12
B793 2911	Stepper Motor Bracket	35 - 2
B793 2941	Stepper Motor Bracket	35 - 10
B793 3111	DC Motor Bracket	31 - 17
B793 3121	Gear - 20Z	31 - 19
B793 3122	Shaft - Drive Shift Tray	31 - 22
B793 3211	Stay - Surface of Paper Sensor	33 - 7
B793 3212	Feeler - Surface of Paper Sensor	33 - 5
B793 3311	Tray	3 - 5
B793 4061	Paper Crimp Unit	25 - *
B793 4082	Stepper Motor DC1.76V	25 - 1
B793 4125	Ground Plate - Stapler Unit	31 - 23
B793 4125	Ground Plate - Stapler Unit	23 - 10
B793 4155	Stapler Unit Stand	23 - 25
B793 4215	Stapler Cover	23 - 8
B793 4251	Standard Fence Guide	23 - 12
B793 4252	Stapler Guide	23 - 14
B793 4311	Stapler Guide - Left	23 - 26
B793 4331	Stapler Guide Plate - Right	23 - 28
B793 4332	Stapler Guide - Right	23 - 31
B793 4333	Tension Spring - Guide Plate Right	23 - 27
B793 4334	Torsion Spring - Guide Front	23 - 29
B793 4335	Torsion Spring - Guide Rear	23 - 30
B793 4341	Standard Fence Guide	23 - 32
B793 4351	Stay Grip	17 - 2
B793 4352	Standard Fence - Lower	23 - 34
B793 4353	Torsion Spring:Standard Fence:Lower	23 - 33
B793 4402	Stapler Tray	17 - 13
B793 4510	Exit Belt Ass'y	19 - 1

Part No.	Description	Page and Index No.
B793 4513	Exit Belt Bracket	19 - 2
B793 4514	Tension Spring:Exit Belt	21 - 16
B793 4531	Tightener Bracket	21 - 17
B793 4540	Shaft - Drive Exit Belt	19 - 4
B793 4561	Jogger Motor Bracket	17 - 5
B793 4564	Jogger Fence Shaft	17 - 10
B793 4611	Staple Transport Roller	19 - 11
B793 4612	Release Cam - Transport Roller	19 - 7
B793 4613	Holder Spring	19 - 20
B793 4614	Tension Spring - Stapler	19 - 18
B793 4615	Cover - Transport Guide Plate	19 - 19
B793 4616	Tension Spring - Rear	19 - 30
B793 4622	Transport Guide Plate	19 - 17
B793 4623	Guide - Trailing Edge Plate	19 - 13
B793 4624	Guide - Staple Transport	19 - 15
B793 4625	Bushing - Staple Transport	19 - 9
B793 4626	Release Staple Slider	19 - 8
B793 4627	Torsion Spring - Guide Trailing Edg	19 - 14
B793 4628	Plate Roller	19 - 12
B793 4629	Staple:Transport Guide - Upper	19 - 16
B793 4632	Motor:Transport Bracket	21 - 9
B793 4635	Worm Wheel Shaft	21 - 1
B793 4641	Stepper Motor Bracket	19 - 23
B793 4645	Gear - 25Z/68Z	19 - 24
B793 4646	Gear - 25Z/52Z	19 - 25
B793 4647	Gear - 25Z	19 - 27
B793 4651	Drive Gear Arm	19 - 26
B793 4652	Driven Gear Arm	19 - 29
B793 4656	Gear - 20Z	19 - 28
B793 4713	Standard Fence Shaft	21 - 15
B793 4714	Standard Fence:Upper	21 - 19
B793 4715	Standard Fence Bracket	21 - 13
B793 4723	Shaft:Drive:Standard Fence	21 - 6
B793 4731	Standard Fence Link	21 - 5
B793 4732	Link Bushing	21 - 3

Part No.	Description	Page and Index No.
B793 4733	Compression Spring - Link	21 - 4
B793 4807	Cover:Upper:Paper Crimp Sub-unit	25 - 10
B793 4808	Discharge Brush:Exit	29 - 9
B793 4809	Sheet:Cover:Upper:Paper Crimp Sub-unit	25 - 9
B793 5201	Harness - Interface	37 - 1
B793 5210	Harness - PCB Motor	37 - 17
B793 5220	Harness - PCB Sensor	37 - 16
B793 5221	Harness - Paper Sensor	37 - 21
B793 5222	Harness - Paper Feed Sensor	15 - 23
B793 5223	Harness - Safety Switch	37 - 18
B793 5224	Harness - Sensor	31 - 9
B793 5225	Harness - Exit Proof Tray	7 - 3
B793 5226	Harness - Paper Feed Sensor	9 - 15
B793 5227	Harness - Sensor	9 - 12
B793 5231	Harness - Stapler Unit Motor	21 - 22
B793 5232	Harness:Connecting:Swivel:Motor	29 - 16
B793 5233	Harness - Motor	21 - 7
B793 5240	Harness - Main Sensor	37 - 20
B793 5241	Harness - Stapler Unit Sensor	21 - 20
B793 5242	Harness - Stapler Unit Sensor	21 - 21
B793 5243	Harness:Connecting:Stopper:Sensor	27 - 4
B793 5245	Harness:Connecting:Transport Sensor	29 - 1
B793 5246	Harness:Connecting:Sensor	29 - 15
B793 5247	Harness - Positioning Sensor	23 - 6
B793 5250	Harness - Stapler	23 - 24
B793 5251	Harness - Stapler	23 - 23
B793 5255	Harness - Move Sensor	23 - 4
B793 5260	Harness - Stapler Driver	23 - 20
B793 5261	Harness - Motor	23 - 22
B793 5262	Harness - Sensor	23 - 21
B793 5280	Harness:Main:Motor	37 - 19
B793 5511	PCB:Main Control:Ass'y	37 - 13
B793 5521	PCB Bracket	37 - 15
B793 5811	Stepper Motor DC2.52V	35 - 1
B793 5812	Stepper Motor DC3.08V	35 - 9

Part No.	Description	Page and Index No.
B793 5813	Stepper Motor DC2.52V	17 - 11
B793 5815	Stepper Motor DC24V	17 - 3
B793 5815	Stepper Motor DC24V	21 - 8
B793 5817	Stepper Motor DC24V	35 - 13
B793 5830	Stepper Motor DC24V	9 - 1
B793 5830	Stepper Motor DC24V	19 - 21
B793 5831	Stepper Motor:DIA42:T15:Ass'y	29 - 17
B793 6111	Cover - Upper	3 - 9
B793 6121	Cover - Rear	3 - 7
B793 6131	Cover - Front	3 - 23
B793 6132	Upper Door Hinge	3 - 22
B793 6134	Lower Door Hinge	3 - 26
B793 6141	Cover - Left Upper	3 - 8
B793 6151	Cover - Left Lower	3 - 3
B793 6161	Cover - Left Sideways	3 - 25
B793 6171	Cover - Upper Open And Close	3 - 11
B793 6201	Spacer Cushion	3 - 12
B793 6400	Stapler:Service Parts:Ass'y	23 - 13
B793 6410	Holder:Front:Ass'y	23 - 16
B793 6420	Holder:Rear:Ass'y	23 - 18
B793 6431	Rod:Clamp	23 - 17
B793 6432	Adjusting Screw:M4	23 - 19
B793 7861	Decal - Misfeed Removal	3 - 24
B793 7861	Decal - Misfeed Removal	39 - 1
B793 7863	Decal - Lower Open and Close	15 - 17
B793 7863	Decal - Lower Open and Close	39 - 2
B793 7864	Decal - Lengthwise	11 - 18
B793 7864	Decal - Lengthwise	39 - 3
B793 7865	Decal - Shift Open and Close	9 - 20
B793 7865	Decal - Shift Open and Close	39 - 4
B793 7866	Decal - Knob	39 - 5
B793 7866	Decal - Knob	5 - 1
B793 7867	Decal - Grip Stapler Unit	39 - 6
B793 7867	Decal - Grip Stapler Unit	17 - 1
B793 7868	Decal - Knob Blade	25 - 20

Part No.	Description	Page and Index No.
B793 7868	Decal - Knob Blade	39 - 7
B793 7869	Decal - Knob Roller	25 - 19
B793 7869	Decal - Knob Roller	39 - 8
B793 7871	Decal - Proof Tray	39 - 9
B793 7871	Decal - Proof Tray	7 - 9
B793 7872	Decal - Guide Plate	25 - 16
B793 7872	Decal - Guide Plate	39 - 10
B793 7873	Decal - Open and Close	39 - 11
B793 7873	Decal - Open and Close	11 - 3
B793 7874	Decal - Jogger Fence	39 - 12
B793 7874	Decal - Jogger Fence	17 - 15
B793 7875	Decal - Cartridge S1	23 - 3
B793 7875	Decal - Cartridge S1	39 - 13
B793 7876	Decal - Caution Cartridge	23 - 7
B793 7876	Decal - Caution Cartridge	39 - 14
B793 7897	Decal:Caution:Paper Crimp Sub-unit	39 - 15
B793 7897	Decal:Caution:Paper Crimp Sub-unit	23 - 2
B793 7898	Decal:Paper Exit Sub-unit	3 - 2

Part No.	Description	Page and Index No.
A548 1317	Lever Cushion	23 - 1
A548 1317	Lever Cushion	11 - 4
A548 2139	Pulley	35 - 6
A666 2331	Rack	31 - 11
A666 3180	Timing Pulley - Z32	21 - 14
A666 3180	Timing Pulley - Z32	19 - 3
A666 4210	Shaft - Exit Roller	9 - 18
A681 2742	Driven Exit Roller	9 - 17
A681 4515	Bushing - 6mm	17 - 16
A697 2102	Damper - Junction Gate Solenoid	37 - 3
A697 2260	Pulley - 17T	5 - 5
A697 4170	Pulley - 32T	17 - 9
B352 2207	Pad - Stapler Tray	11 - 5
B352 2207	Pad - Stapler Tray	15 - 21
B352 2407	Reverse Roller - 20Z	33 - 12
B352 2409	Idler Gear - 17Z	33 - 10
B352 2650	Magnet Catch - 5N	25 - 15
B408 1390	Flat Screw:Groove Type	3 - 16
B408 1411	Coupling Lever	13 - 5
B408 1412	Flat Screw	3 - 17
B408 1413	Coupling Stay	13 - 4
B408 1429	Ground Plate Bracket	3 - 18
B408 1431	Flat Screw:Coupling	3 - 21
B408 2173	Slide Roller	9 - 24
B408 2174	Spring	9 - 23
B408 2175	Bushing - Roller Slide	9 - 22
B408 2211	Transfer Roller	7 - 7
B408 2211	Transfer Roller	13 - 3
B408 2232	Exit Roller:Proof Tray	7 - 6
B408 2241	Exit Roller	33 - 9
B408 2246	Reverse Roller Arm	33 - 11
B408 2251	Stapler Exit Roller	15 - 11
B408 2271	Pulley - T24	15 - 26
B408 2281	Knob - Transfer Roller	5 - 2
B408 2311	Slide Roller	11 - 11

Part No.	Description	Page and Index No.
B408 2312	Bushing - Roller Slide	11 - 1
B408 2313	Pulley - T24	11 - 23
B408 2331	Link Drive Gear	35 - 16
B408 2422	Pulley - T16	15 - 6
B408 2431	Positioning Roller	15 - 4
B408 2441	Shaft - Positioning Roller	15 - 10
B408 2512	Bracket - DC Solenoid	37 - 14
B408 2731	Arm - Top Cover	3 - 14
B408 2813	Discharge Brush:Exit:Open and Close	9 - 13
B408 2831	Gear - Z53	9 - 8
B408 2831	Gear - Z53	21 - 10
B408 2833	Shaft - Worm Wheel	9 - 9
B408 2955	Bracket:Tightener:Ass'y	35 - 7
B408 3112	End Fence	31 - 15
B408 3211	Tray Base	31 - 14
B408 3221	Front Guide Plate	31 - 12
B408 3231	Rear Guide Plate	31 - 13
B408 3233	Tray H.p Sensor Feeler	31 - 10
B408 3613	Lever - Micro Switch	33 - 6
B408 4335	Timing Pulley - Jogger	17 - 7
B408 4337	Spring	17 - 4
B408 4362	Jogger Fence - Front	17 - 18
B408 4363	Slider - Jogger Fence	17 - 14
B408 4364	Film - Jogger Fence	17 - 17
B408 4366	Jogger Fence - Inner	17 - 19
B408 4382	Pulley - T26	19 - 5
B408 4395	Pulley - Exit Belt	21 - 18
B468 2515	Spring - Gather Roller	15 - 3
B468 2882	Link Bushing	9 - 5
B468 5991	Harness Bracket	23 - 9
B468 5991	Harness Bracket	37 - 9
B478 2328	Exit Roller:Driven	29 - 13
B700 1501	Tension Spring - Pressure	35 - 4
B700 2510	Bracket:Dcsol:Gate Pawl:Proof Tray	37 - 5
B700 2649	Timing Belt:40S2M144	15 - 5

Part No.	Description	Page and Index No.
B700 3420	Tray:Auxiliary	3 - 4
B700 3710	Bracket:Surface of Paper Sensor	31 - 8
B700 3715	Shaft:Arm:Paper Exit Sub-unit	31 - 5
B700 3725	Arm:Plate:Paper Exit Sub-unit	31 - 4
B700 3730	Roller:Plate:Paper Exit Sub-unit	31 - 2
B700 3740	Spring:Arm:16mN.m	31 - 3
B700 4521	Holder:Arm:Harness	25 - 3
B700 4522	Arm:Harness:Stapler Unit	25 - 5
B700 4523	Pin:Fix:Arm	25 - 4
B700 4713	Compression Spring	29 - 7
B700 4715	Exit Roller:Paper Crimp Sub-unit	29 - 8
B700 4718	Pulley:27T	27 - 7
B700 4720	Timing Belt:B40S2M214	27 - 8
B700 4745	Guide Plate:Exit:Lower	29 - 4
B700 4753	Guide Plate:Exit:Upper	29 - 10
B700 4755	Shaft:Driven	29 - 14
B700 4757	Compression Spring:Transport Roller	29 - 11
B700 4763	Guide Plate:Roller:Lower	29 - 3
B700 4770	Bracket:Home Position Sensor:Blade	27 - 5
B700 4781	Gear:62T	27 - 2
B700 4782	Pulley:31T	27 - 1
B700 4784	Pulley:22t	25 - 8
B700 4785	Timing Belt:B80S3M156	25 - 7
B700 4787	Timing Belt:B80S3M237	25 - 6
B700 4810	Shaft:Driven:Release	29 - 25
B700 4821	Cam:Release:Transport	29 - 23
B700 4823	Gear:56Z	29 - 24
B700 4825	Gear:28Z	29 - 27
B700 4827	Joint:Release:Transport	29 - 22
B700 4829	Spacer:Release:Transport	29 - 21
B700 4835	Bracket:Paper Feed Sensor	29 - 19
B700 4873	Guide:Open and Close:Front	25 - 13
B700 4874	Guide:Open and Close:Rear	25 - 14
B700 4875	Guide Plate:Open and Close:Lower	25 - 12
B700 4877	Grip:Guide Plate	25 - 17

Part No.	Description	Page and Index No.
B700 4879	Bracket:Contact Point	25 - 11
B700 4885	Knob:Paper Crimp	25 - 18
B700 5804	Stepper Motor:DIA42:Z17:Ass'y	27 - 6
B714 3115	Knob Screw:Document Feeder:Fix	3 - 6
B804 3720	Arm:Paper Senser:Paper Exit Sub-unit:Paper Crimp	31 - 1
B804 3853	Tray:Paper Crimp Sub-unit	3 - 1
G838 2347	Gear:Z45	31 - 16

Part No.	Description	Page and Index No.
AA04 3613	Timing Belt - 40S3M177	19 - 6
AA04 3614	Timing Belt - 40S2M796	17 - 8
AA04 3615	Timing Belt:40S2M208	29 - 26
AA04 3616	Timing Belt - 40S3M210	5 - 4
AA04 3617	Timing Belt - 40S3M297	35 - 11
AA04 3618	Timing Belt - 40S3M453	35 - 8
AA04 3629	Timing Belt - 60S3M564	35 - 3
AA06 3529	Pressure Spring - 14.5mm	9 - 21
AA06 3529	Pressure Spring - 14.5mm	15 - 13
AA06 3529	Pressure Spring - 14.5mm	11 - 15
AA08 0237	Bushing - 4x5x7	11 - 16
AA08 0237	Bushing - 4x5x7	29 - 12
AA08 0237	Bushing - 4x5x7	7 - 15
AA08 0237	Bushing - 4x5x7	15 - 12
AA08 2101	Bushing - 6x10x6	15 - 1
AA08 2101	Bushing - 6x10x6	13 - 1
AA08 2101	Bushing - 6x10x6	19 - 22
AA08 2101	Bushing - 6x10x6	21 - 12
AA08 2101	Bushing - 6x10x6	29 - 5
AA08 2101	Bushing - 6x10x6	7 - 1
AA08 2101	Bushing - 6x10x6	11 - 22
AA08 2101	Bushing - 6x10x6	33 - 2
AA08 2104	Bushing - 8x12x7	31 - 20
AA08 2104	Bushing - 8x12x7	19 - 10
AA13 2208	Spacer - M6	29 - 6
AA14 3790	Screw:Contact Point	13 - 6
AA14 3790	Screw:Contact Point	11 - 2
AA14 3790	Screw:Contact Point	17 - 6
AA14 3790	Screw:Contact Point	35 - 5
AA14 3823	Tapping Screw	5 - 11
AA16 1099	Lever Cushion	15 - 9
AF02 2097	Driven Roller	11 - 17
AF02 2097	Driven Roller	15 - 14
AF02 2097	Driven Roller	7 - 16
AG07 0514	Magnet Catch	3 - 13

Part No.	Description	Page and Index No.
AG07 0514	Magnet Catch	9 - 25
AG07 0514	Magnet Catch	11 - 20
AG07 1012	Magnet Catch:Ass'y	23 - 11
AJ01 1021	Stapler:EH-581R	23 - 15
AW01 0109	Photo Refiection Sensor:PS117ED1	29 - 2
AW01 0109	Photo Refiection Sensor:PS117ED1	17 - 12
AW01 0109	Photo Refiection Sensor:PS117ED1	9 - 14
AW02 0141	Photointerruptor	31 - 7
AW02 0141	Photointerruptor	35 - 15
AW02 0141	Photointerruptor	9 - 10
AW02 0141	Photointerruptor	33 - 8
AW02 0141	Photointerruptor	27 - 3
AW02 0141	Photointerruptor	37 - 7
AW02 0141	Photointerruptor	21 - 11
AW02 0141	Photointerruptor	29 - 20
AW02 0141	Photointerruptor	23 - 5
AW02 0154	Photointerruptor:Entrance	15 - 24
AW02 0166	Photointerruptor:Paper Feed Sensor	31 - 21
AW02 0166	Photointerruptor:Paper Feed Sensor	21 - 23
AW02 0178	Paper Feed Sensor	7 - 2
AW02 0184	Paper Feed Sensor	7 - 5
AX04 0214	DC Motor:Shift:Upper Lower:Drive	31 - 18
GW01 0007	Photo Refiection Sensor:Exit	29 - 18
GW01 0007	Photo Refiection Sensor:Exit	5 - 21

Part No.	Description	Page and Index No.
0353 0040N	Screw - M3x4	37 - 102
0353 0400N	Screw - M3x40	31 - 104
0450 3008N	Tapping Screw - M3x8	17 - 105
0450 3008N	Tapping Screw - M3x8	25 - 103
0450 3020N	Tapping Screw:M3x20	33 - 103
0451 3006N	Tapping Screw - 3x6	3 - 102
0451 3006N	Tapping Screw - 3x6	17 - 103
0451 3006N	Tapping Screw - 3x6	29 - 102
0451 3006N	Tapping Screw - 3x6	19 - 102
0451 3006N	Tapping Screw - 3x6	31 - 102
0451 3006N	Tapping Screw - 3x6	27 - 101
0451 3006N	Tapping Screw - 3x6	21 - 102
0451 3006N	Tapping Screw - 3x6	25 - 102
0451 3006N	Tapping Screw - 3x6	35 - 102
0451 3008N	Tapping Screw - M3x8	17 - 106
0451 3008N	Tapping Screw - M3x8	23 - 103
0451 3008N	Tapping Screw - M3x8	3 - 101
0451 3008N	Tapping Screw - M3x8	25 - 114
0451 3010N	Tapping Screw:3x10	31 - 103
0451 3010N	Tapping Screw:3x10	17 - 104
0451 3010N	Tapping Screw:3x10	11 - 102
0452 3006N	Binding Self-tapping Screw:3x6	23 - 102
0452 3008N	Tapping Screw - M3x8	33 - 102
0453 3006N	Tapping Screw - M3x6	31 - 105
0453 3006N	Tapping Screw - M3x6	27 - 102
0453 3006N	Tapping Screw - M3x6	33 - 104
0453 3008N	Binding Self Tapping Screw:3x8	21 - 103
0453 3014N	Binding Self Tapping Screw 3x14	29 - 103
0454 3006Q	Tapping Screw - M3x6	23 - 101
0454 3006Q	Tapping Screw - M3x6	33 - 101
0454 3006Q	Tapping Screw - M3x6	21 - 101
0454 3006Q	Tapping Screw - M3x6	25 - 101
0454 3006Q	Tapping Screw - M3x6	19 - 101
0454 3006Q	Tapping Screw - M3x6	29 - 101
0454 3006Q	Tapping Screw - M3x6	31 - 101



Part No.	Description	Page and Index No.
0454 3006Q	Tapping Screw - M3x6	7 - 101
0454 3006Q	Tapping Screw - M3x6	9 - 101
0454 3006Q	Tapping Screw - M3x6	35 - 101
0454 3006Q	Tapping Screw - M3x6	37 - 101
0454 3006Q	Tapping Screw - M3x6	5 - 101
0454 3006Q	Tapping Screw - M3x6	15 - 101
0454 3006Q	Tapping Screw - M3x6	13 - 101
0454 3006Q	Tapping Screw - M3x6	11 - 101
0454 3006Q	Tapping Screw - M3x6	17 - 101
0454 3008Q	Tapping Screw:3x8	3 - 103
0454 3008Q	Tapping Screw:3x8	5 - 106
0454 3008Q	Tapping Screw:3x8	17 - 102
0633 0140G	Parallel Pin - 3x14	31 - 108
0633 0140G	Parallel Pin - 3x14	27 - 105
0633 0140G	Parallel Pin - 3x14	25 - 112
0633 0180G	Parallel Pin - 3x18mm	25 - 113
0720 0040E	Retaining Ring - M4	5 - 105
0720 0040E	Retaining Ring - M4	23 - 105
0720 0040E	Retaining Ring - M4	35 - 103
0720 0040E	Retaining Ring - M4	31 - 109
0720 0040E	Retaining Ring - M4	7 - 103
0720 0040E	Retaining Ring - M4	11 - 104
0720 0040E	Retaining Ring - M4	27 - 103
0720 0040E	Retaining Ring - M4	9 - 103
0720 0040E	Retaining Ring - M4	13 - 102
0720 0040E	Retaining Ring - M4	21 - 104
0720 0040E	Retaining Ring - M4	19 - 103
0720 0040E	Retaining Ring - M4	29 - 104
0720 0040E	Retaining Ring - M4	15 - 103
0720 0040E	Retaining Ring - M4	17 - 107
0720 0060E	Retaining Ring - M6	19 - 104
0720 0060E	Retaining Ring - M6	25 - 104
0720 0060E	Retaining Ring - M6	31 - 106
0742 3808	Ball Bearing - 8x16x5	25 - 105
0805 0088	Retaining Ring - M6	27 - 104

Part No.	Description	Page and Index No.
0805 0088	Retaining Ring - M6	5 - 102
0805 0088	Retaining Ring - M6	19 - 106
0805 0088	Retaining Ring - M6	31 - 107
0805 0089	Retaining Ring - M4	7 - 102
0805 0089	Retaining Ring - M4	35 - 104
0805 0089	Retaining Ring - M4	9 - 102
0805 0089	Retaining Ring - M4	23 - 106
0805 0089	Retaining Ring - M4	11 - 103
0805 0089	Retaining Ring - M4	33 - 107
0805 0089	Retaining Ring - M4	19 - 105
0805 0089	Retaining Ring - M4	15 - 102
0805 0089	Retaining Ring - M4	29 - 105
0805 3385	Bushing - 6mm	19 - 107
0805 3386	Bushing - 8mm	19 - 108
0950 3005N	Screw:Spring Washer:M3x5	33 - 105
0951 3006N	Screw - M3x6	23 - 104
1105 0328	Harness Clamp - ES-0505	31 - 112
1105 0328	Harness Clamp - ES-0505	37 - 105
1105 0328	Harness Clamp - ES-0505	25 - 110
1105 0328	Harness Clamp - ES-0505	5 - 103
1105 0328	Harness Clamp - ES-0505	21 - 106
1105 0328	Harness Clamp - ES-0505	7 - 104
1105 0334	Edge - 17	23 - 108
1105 0487	Harness Clamp	37 - 104
1105 0487	Harness Clamp	35 - 105
1105 0487	Harness Clamp	25 - 107
1105 0487	Harness Clamp	17 - 108
1105 0487	Harness Clamp	31 - 111
1105 0487	Harness Clamp	21 - 107
1105 0488	Harness Clamp	23 - 107
1105 0488	Harness Clamp	25 - 109
1105 0489	Harness Clamp - LWS 1316	31 - 110
1105 0489	Harness Clamp - LWS 1316	25 - 106
1105 0516	Clamp	25 - 108
1105 0522	Edge Saddle - LES0510	25 - 111

Part No.	Description	Page and Index No.
1105 0522	Edge Saddle - LES0510	29 - 106
1105 0619	Clamp:LBWS-0605S-V0	13 - 105
1105 0623	Clamp - LBWS-0206S-V0	29 - 107
1105 0623	Clamp - LBWS-0206S-V0	37 - 103
1105 0623	Clamp - LBWS-0206S-V0	5 - 104
1105 0623	Clamp - LBWS-0206S-V0	7 - 105
1105 0623	Clamp - LBWS-0206S-V0	21 - 105
1105 0623	Clamp - LBWS-0206S-V0	9 - 104
1105 0623	Clamp - LBWS-0206S-V0	33 - 108
1105 0623	Clamp - LBWS-0206S-V0	13 - 104
1105 0623	Clamp - LBWS-0206S-V0	31 - 113
1105 0623	Clamp - LBWS-0206S-V0	27 - 106
1204 2540	Micro Switch - AM50650C3	33 - 106
1204 2702	Switch - FB1L-BA11	13 - 103

Part No.	Description	Page and Index No.
5053 0223	Bushing - 8mm	5 - 7
5053 0447	Bushing - 6mm	5 - 23
5053 0447	Bushing - 6mm	7 - 19
5053 0447	Bushing - 6mm	15 - 7
5206 2686	Snap Ring	25 - 2
5447 2681	Snap Ring	3 - 15
5447 2681	Snap Ring	9 - 3
5447 2681	Snap Ring	21 - 2