

**Finisher SR3050 (D372)**

## Finisher SR3050 (D372)

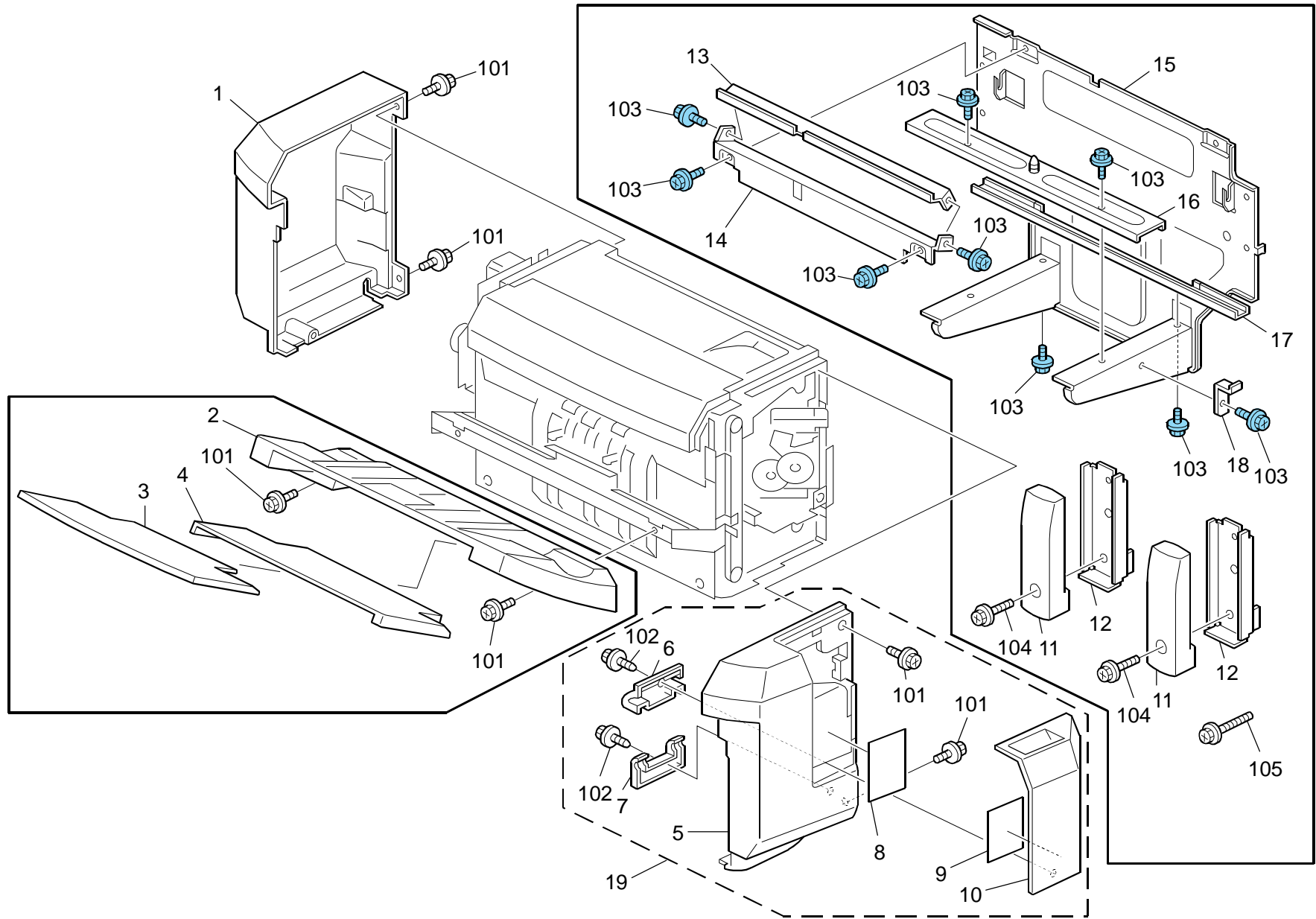
### PARTS CATALOG

This catalog gives the numbers and names of parts on this machine.

1.Exterior (D372).....	2
2.Paper Transfer 1 (D372).....	4
3.Paper Transfer 2 (D372).....	6
4.Jogger Unit 1 (D372) .....	8
5.Jogger Unit 2 (D372) .....	10
6.Stapler Unit (D372) .....	12
7.Paper Exit (D372) .....	14
8.Drive Section (D372) .....	16
<b>Parts Index.....</b>	<b>20</b>

June ,18 ' 2008

# 1.Exterior (D372)

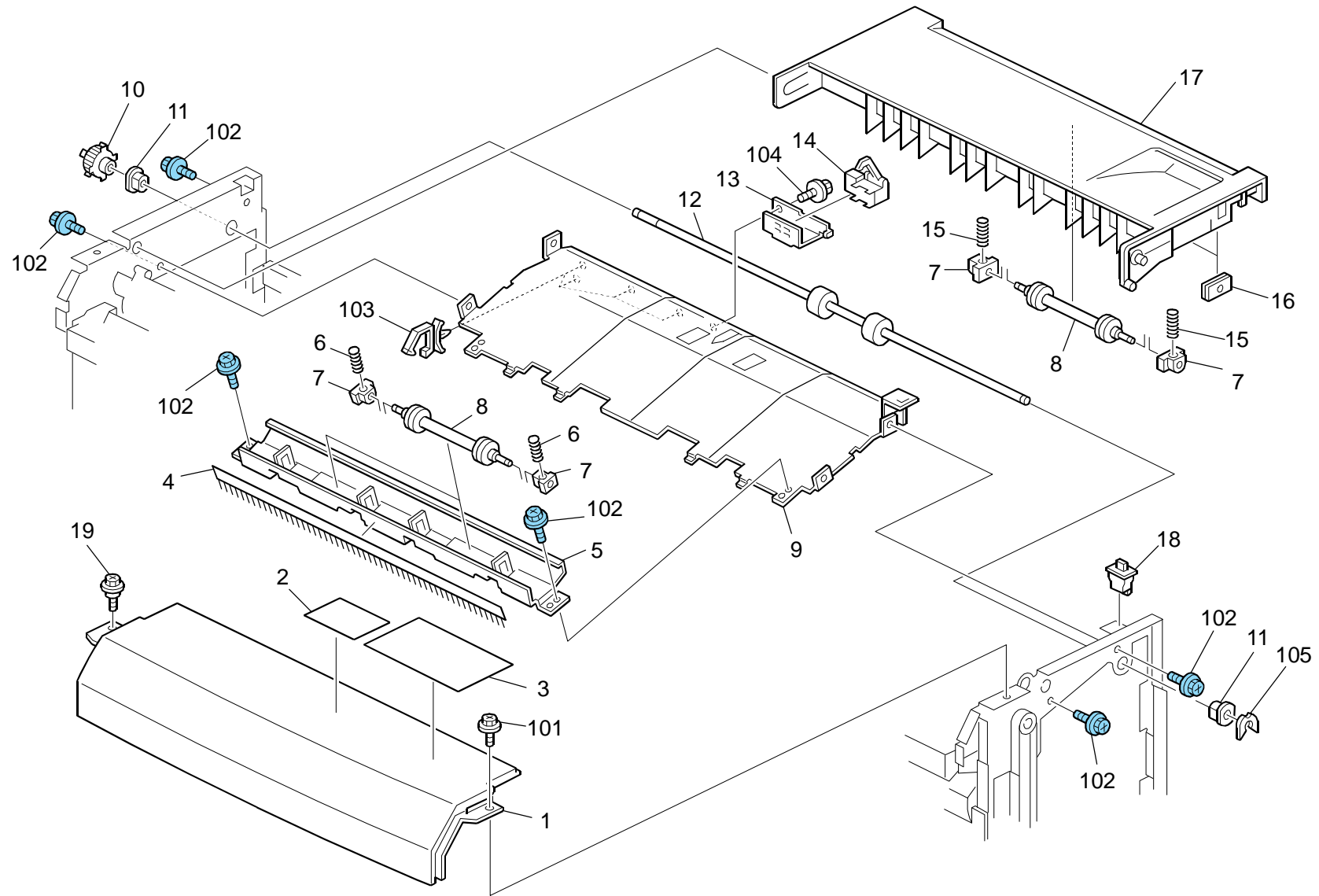


## 1.Exterior (D372)

Index No.	Part No.	Description	Q'ty Per Assembly
1	D372 1511	Rear Cover	1
2	D372 3411	Exit Tray	1
3	D372 3413	Exit Tray - Slide	1
4	D372 3412	Exit Tray - Middle	1
5	D372 1522	Cover:Front	1
6	D372 1525	Hinge - Door	1
7	D372 1524	Hinge - Fix Door	1
8	D372 6812	Decal - Staple Exchange	1
9	D372 6811	Decal - Pick-up Paper Jam	1
10	D372 1523	Front Door - Staple	1
11	D372 6215	Stand Cover	2
12	D372 6211	Left Stand	2
13	D372 6117	Upper Guide Plate - Connecting	1
14	D372 6116	Lower Guide Plate - Connecting	1
15	D372 6110	Connecting Bracket	1
16	D372 6118	Stay - Connecting Bracket	1
17	D372 6122	Cover Bracket - Lower Right	1
18	D372 6121	Bracket - Lock Lever Cover	1
19	D372 1571	Front Cover	1

Index No.	Part No.	Description	Q'ty Per Assembly
101	0451 3008N	Tapping Screw - M3x8	
102	0450 3008N	Tapping Screw - M3x8	
103	0454 3006Q	Tapping Screw - M3x6	
104	0451 4014N	Tapping Screw:M4x14	
105	0451 4020N	Tapping Screw - M4x20	

## 2.Paper Transfer 1 (D372)

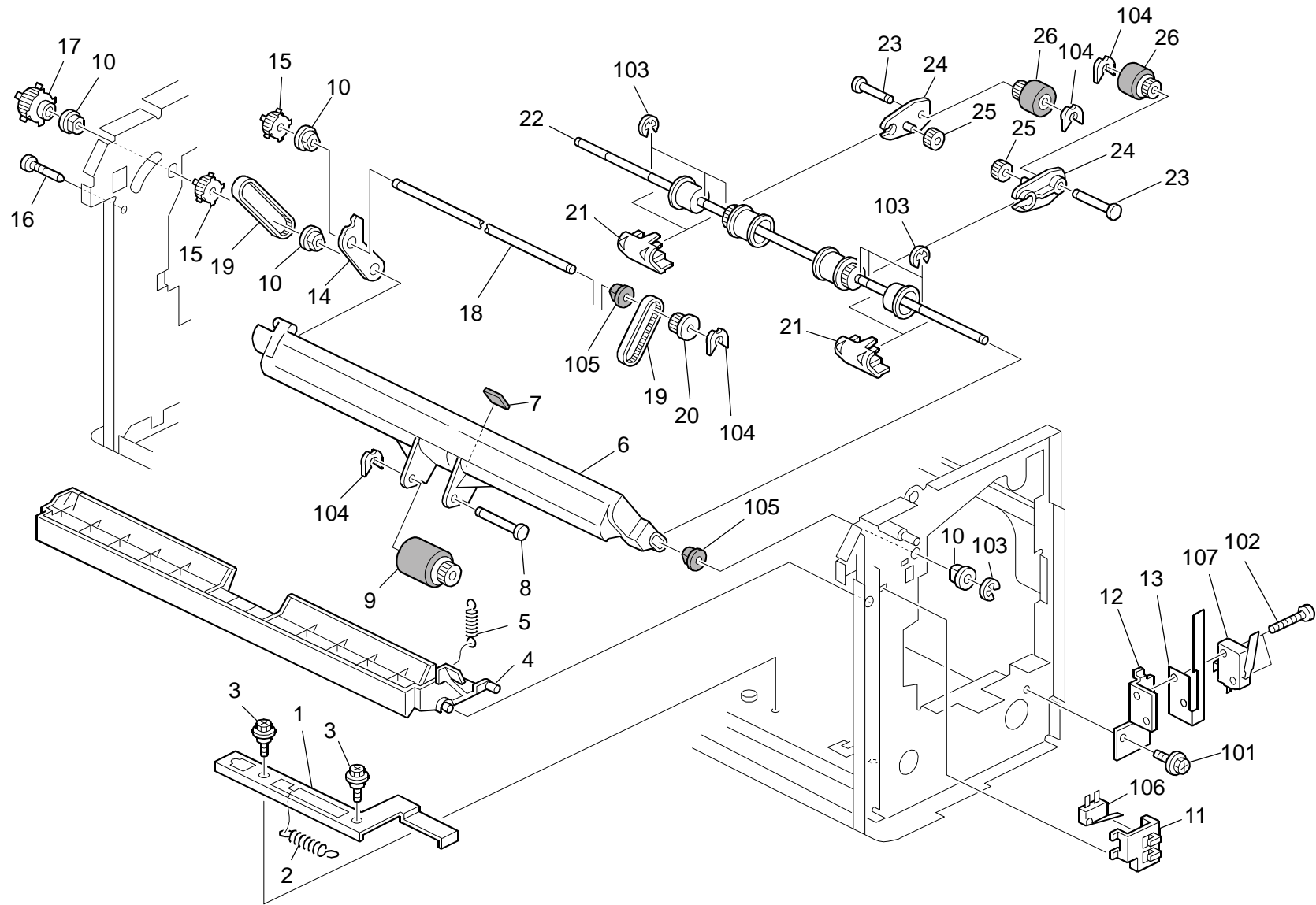


## 2.Paper Transfer 1 (D372)

Index No.	Part No.	Description	Q'ty Per Assembly
1	D372 1531	Cover:Exit	1
2	D372 6813	Decal - Misfeed Removal	1
3	D372 6814	Caution Decal - Pick-Up Paper	1
4	D372 2222	Discharge Brush:Exit	1
5	D372 2221	Upper Guide Plate - Exit	1
6	AA06 3529	Pressure Spring - 14.5MM	4
7	AA08 0237	Bushing - 4x5x7	6
8	AF02 2097	Driven Roller	3
9	D372 2216	Guide Plate:Transport:Ass'y	1
10	B352 1607	Timing Pulley - T20-S3M	1
11	B872 2614	Bushing:R1	2
12	D372 2141	Entrance Roller	1
13	D372 2212	Entrance Sensor Bracket	1
14	AW02 0154	Photointerruptor:Entrance	1
15	D372 2312	Compression Spring	2
16	AG07 0514	Magnet Catch	2
17	D372 2311	Transport Cover	1
18	G020 5626	Push Switch	1
19	AA14 3790	Screw:Contact Point	1

Index No.	Part No.	Description	Q'ty Per Assembly
101	0451 3008N	Tapping Screw - M3x8	
102	0454 3006Q	Tapping Screw - M3x6	
103	1105 0511	Harness Clamp - LWS-0306ZC	
104	0451 3006N	Tapping Screw - 3x6	
105	0805 0088	Retaining Ring - M6	

### 3.Paper Transfer 2 (D372)



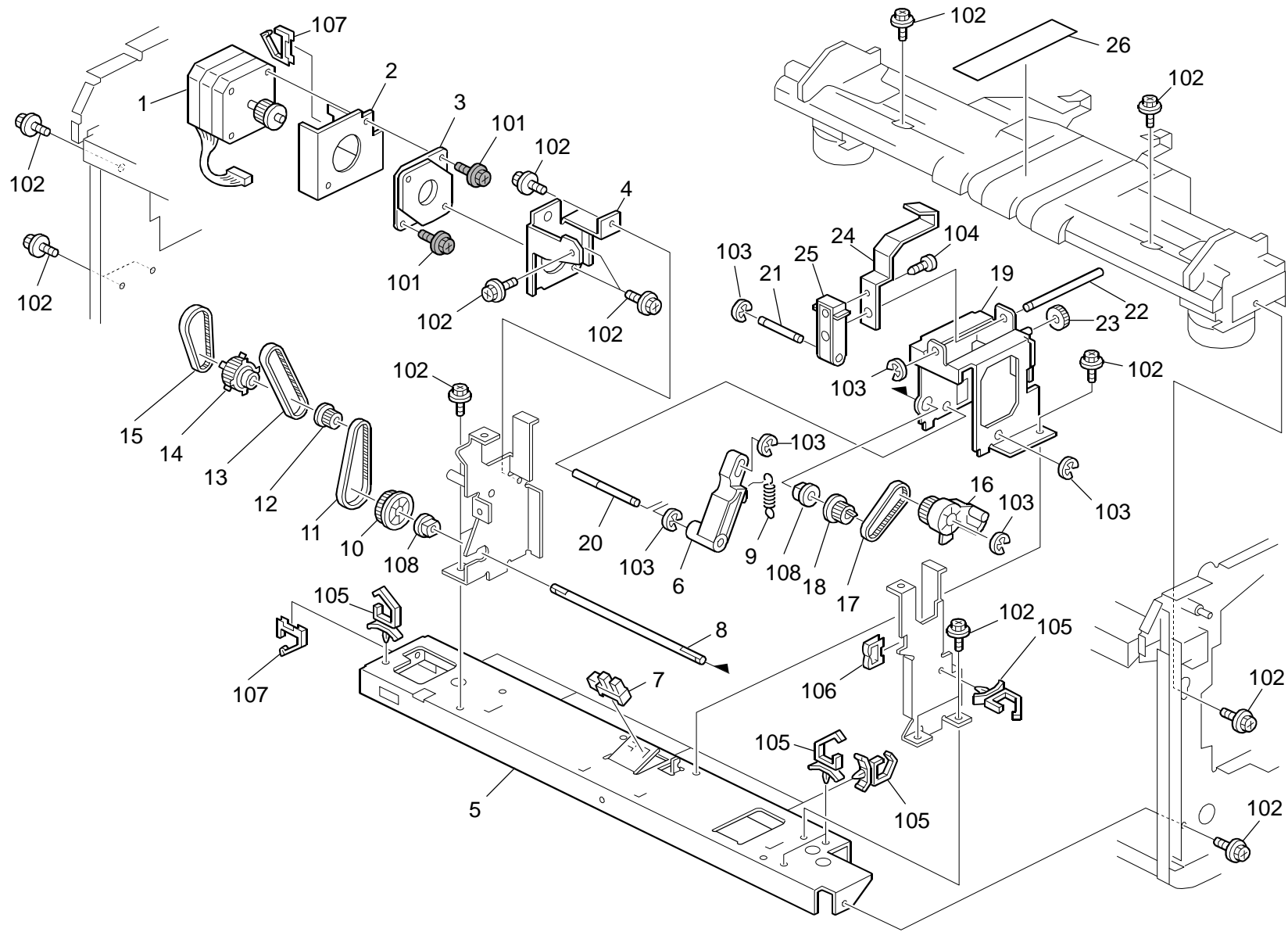
### 3.Paper Transfer 2 (D372)

Index No.	Part No.	Description	Q'ty Per Assembly
1	D372 1112	Lever:Un Lock	1
2	D372 1113	Tension Spring - Lever	1
3	AA14 3702	Screw:Pin:Positioning	2
4	D372 2231	Exit Lever	1
5	D372 2232	Tension Spring - Exit Lever	1
6	D372 2131	Roller Arm	1
7	B872 2515	Cushion:Bracket:Feed	1
8	D372 2133	Shaft - Roller Fix	1
9	D372 2135	Gathering Roller	1
10	AA08 2101	Bushing - 6x10x6	4
11	D372 2241	Witch Holder	1
12	D372 1542	Bracket - Door Switch	1
13	D372 1543	Spring Plate - Door Switch	1
14	D372 2136	Ground Plate	1
15	D372 2113	Timing Pulley - 22T	2
16	AA14 3788	Pin:Guide Plate:Paper Feed	1
17	B352 1607	Timing Pulley - T20-S3M	1
18	D372 2132	Drive Shaft - Roller	1
19	AA04 3632	Timing Belt - 40S2M126	2
20	D372 2134	Timing Pulley - 18T	1
21	D372 2114	Guide - Trailing Edge	4
22	D372 2112	Exit Roller	1
23	D372 2122	Shaft - Reverse Roller	2
24	D372 2121	Holder - Reverse Roller	2
25	D372 2123	Gear - 20Z	2
26	D372 2124	Reverse Roller	2

Index No.	Part No.	Description	Q'ty Per Assembly
101	0451 3006N	Tapping Screw - 3x6	
102	0353 0140N	Screw:M3x14	
103	0720 0040E	Retaining Ring - M4	
104	0805 0089	Retaining Ring - M4	
105	0805 3385	Bushing - 6mm	
106	1204 2515	Micro Switch - DE2L-FJ10	
107	1204 2612	Micro Switch:D3V-16506-3C25	



# 4. Jogger Unit 1 (D372)

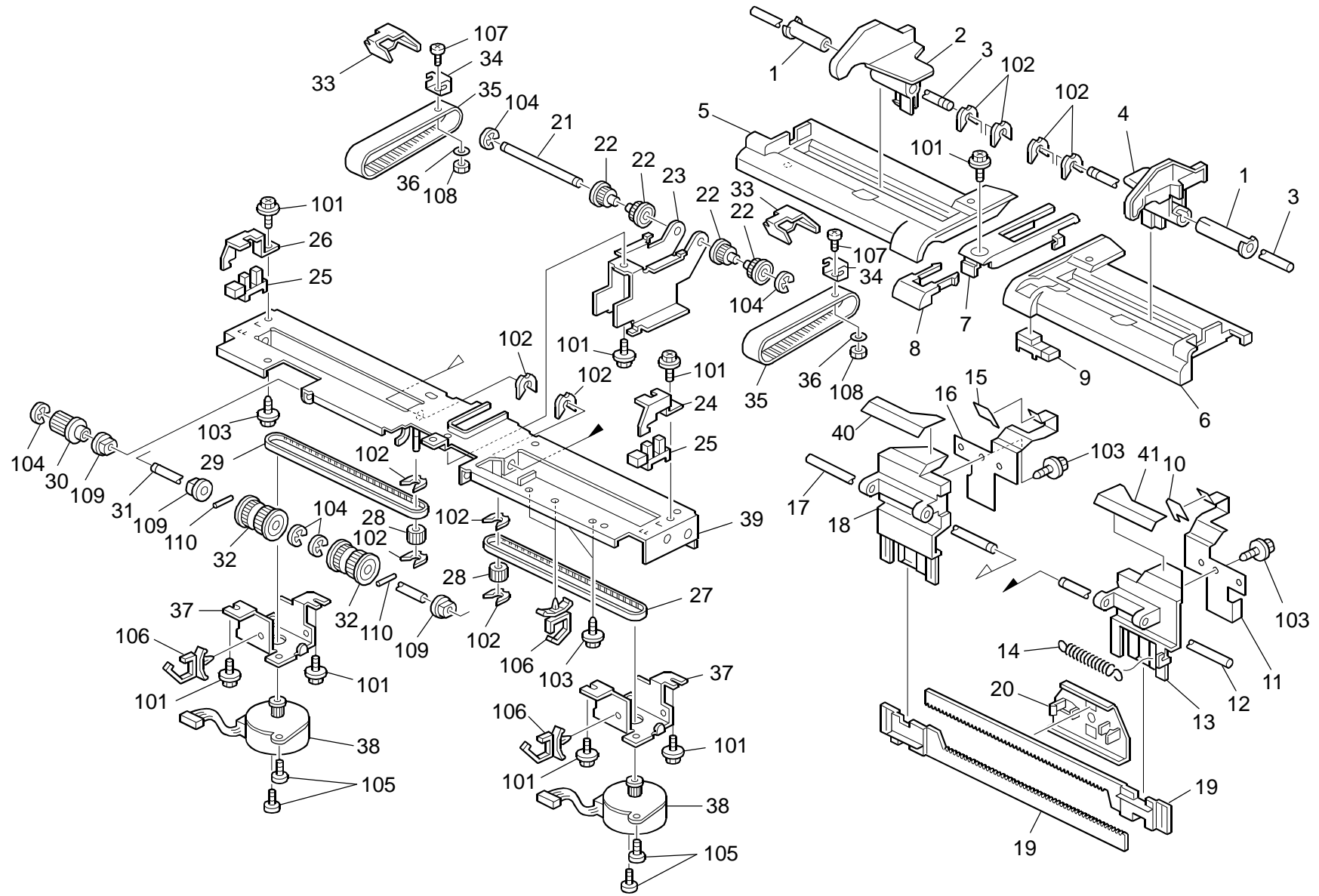


#### 4.Jogger Unit 1 (D372)

Index No.	Part No.	Description	Q'ty Per Assembly
1	D372 5802	Stepper Motor - DC 4W	1
2	D372 4243	Heat Sink - Exit Motor	1
3	D372 5892	Cushion - Stepper Motor	1
4	D372 4242	Bracket - Exit Motor	1
5	D372 4211	Stay - Exit	1
6	D372 4268	Exit Arm	1
7	AW02 0141	Photointerruptor	1
8	D372 4281	Shaft - Standard Fence	1
9	D372 4292	Tension Spring - ARM	1
10	D372 4282	Pulley - 32T	1
11	AA04 3637	Timing Belt - 40S2M124	1
12	D372 4285	Pulley - 16T	1
13	AA04 3328	Timing Belt:40S2M130	1
14	D372 4284	Pulley - 32T/16T	1
15	AA04 3604	Timing Belt:B40S2M110	1
16	D372 4269	Pulley/Arm - Standard Fence	1
17	AA04 3636	Timing Belt - 40S2M96	1
18	D372 4283	Pulley - 16T	1
19	D372 4261	Bracket - Exit	1
20	D372 4266	Arm Shaft - Exit	1
21	D372 4265	Cam Shaft - Slide	1
22	D372 4267	Slider Shaft - Standard Fence	1
23	AB01 1252	Gear - 20Z	1
24	D372 4277	Standard Fence - Middle	1
25	D372 4272	Slider - Standard Fence	1
26	D372 4198	Guide:Exit	1

Index No.	Part No.	Description	Q'ty Per Assembly
101	0360 3008P	Screw - M3x8	
102	0451 3006N	Tapping Screw - 3x6	
103	0720 0040E	Retaining Ring - M4	
104	0452 3008N	Tapping Screw - M3x8	
105	1105 0619	Clamp:LBWS-0605S-V0	
106	1105 0328	Harness Clamp - ES-0505	
107	1105 0522	Edge Saddle - LES0510	
108	0805 3385	Bushing - 6mm	

# 5.Jogger Unit 2 (D372)

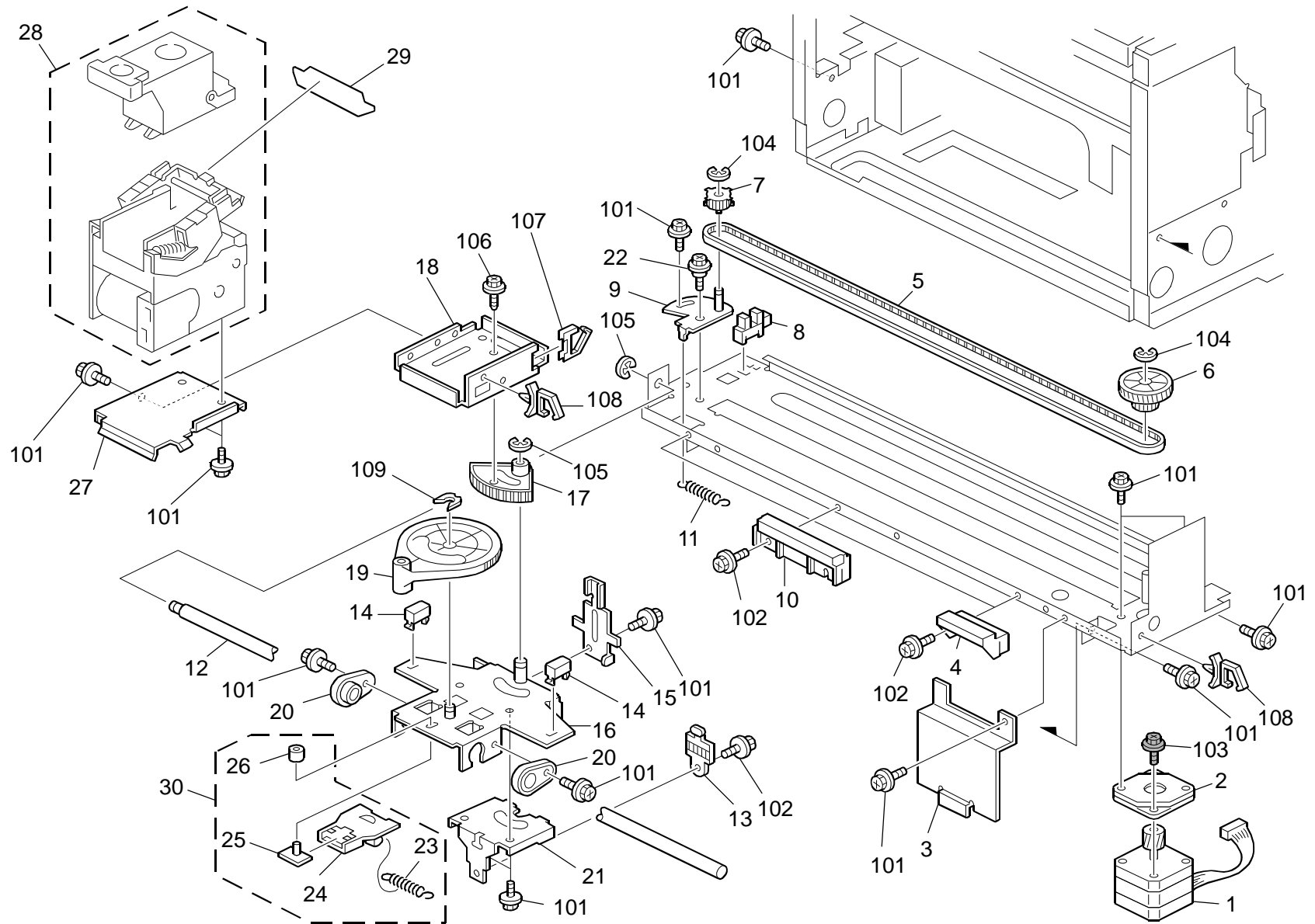


## 5.Jogger Unit 2 (D372)

Index No.	Part No.	Description	Q'ty Per Assembly
1	A681 4515	Bushing - 6mm	2
2	D372 4164	Jogger Fence:Rear	1
3	D372 4159	Guide Shaft - Jogger Fence	2
4	D372 4168	Jogger Fence:Front	1
5	D372 4143	Tray:Staple:Rear	1
6	D372 4147	Tray:Staple:Front	1
7	D372 4195	Tray:Staple:Middle	1
8	D372 4197	Tray:Staple:Middle:Auxiliary	1
9	GW01 0007	Photo Refiection Sensor:Exit	1
10	D372 4179	Front Guide - Standard Fence	1
11	D372 4183	Standard Fence:Staple:Trailing Edge:Front	1
12	D372 4182	Front Slide Shaft - Standard Fence	1
13	D372 4176	Front Slider - Standard Fence	1
14	D372 4291	Tension Spring:Return:Standard Fence	1
15	D372 4178	Rear Guide - Standard Fence	1
16	D372 4173	Raer Standard Fence	1
17	D372 4181	Rear Slide Shaft - Standard Fence	1
18	D372 4172	Rear Slider - Standard Fence	1
19	D372 4174	Rack - Standard	2
20	D372 4186	Pinion Holder - Standard Fence	1
21	D372 4132	Idler Shaft - Exit	1
22	D372 4134	Pulley - 24T	4
23	D372 4122	Bracket - Exit Belt	1
24	D372 4115	Front Cover - Jogger Sensor	1
25	AW02 0141	Photointerruptor	2
26	D372 4116	Rear Cover - Jogger Sensor	1
27	AA04 3635	Timing Belt - 40S2M276	1
28	D372 4163	Timing Pulley - 18T	2
29	AA04 3634	Timing Belt - 40S2M296	1
30	D372 4133	Pulley - 16T	1
31	D372 4131	Exit Shaft	1
32	A666 3180	Timing Pulley - Z32	2
33	D372 4128	Pawl Cover - Exit Belt	2
34	D372 4127	Pawl - Exit Belt	2
35	D372 4126	Exit Belt - 140S2M200	2

Index No.	Part No.	Description	Q'ty Per Assembly
36	A353 2763	Washer - M5	2
37	D372 4162	Motor Bracket	2
38	AX04 0235	Stepper Motor - 20.4W	2
39	D372 4111	Stay:Jogger:Ass'y	1
40	D372 4187	Guide:Stapler:Rear	1
41	D372 4188	Guide:Stapler:Front	1
101	0451 3006N	Tapping Screw - 3x6	
102	0805 0089	Retaining Ring - M4	
103	0450 3008N	Tapping Screw - M3x8	
104	0720 0040E	Retaining Ring - M4	
105	0453 3006N	Tapping Screw - M3x6	
106	1105 0623	Clamp - LBWS-0206S-V0	
107	0242 0035N	Pan Head Screw:M2x3.5	
108	0710 0020P	Hexagonal Nut:M2	
109	0805 3385	Bushing - 6mm	
110	0632 0100G	Pin - 2x10mm	

## 6. Stapler Unit (D372)

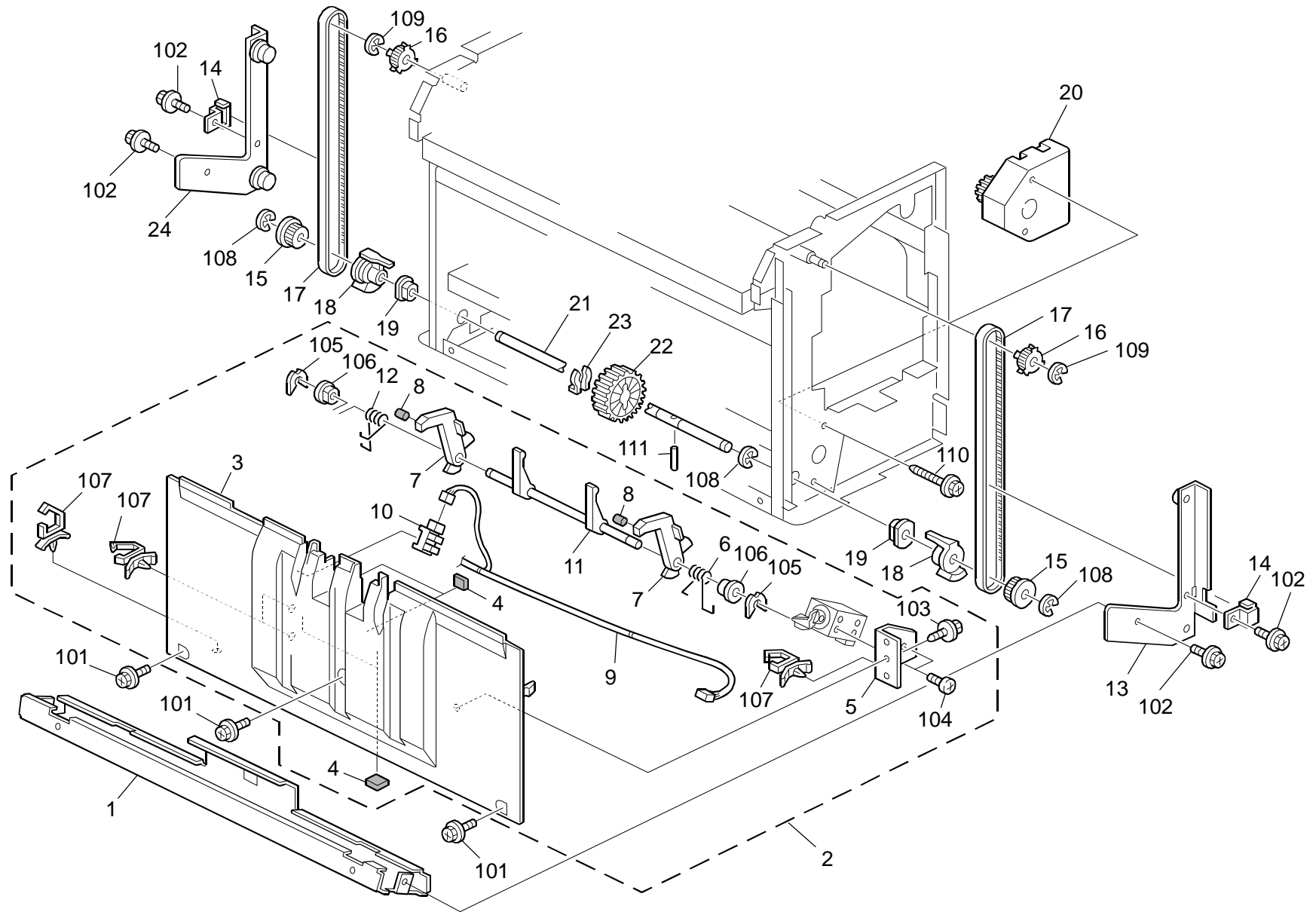


## 6.Stapler Unit (D372)

Index No.	Part No.	Description	Q'ty Per Assembly
1	D372 5803	Stepper Motor - 20.4W	1
2	D372 5892	Cushion - Stepper Motor	1
3	D372 4518	Cover Bracket - Rear Lower	1
4	D372 4513	Front/Rear Rail - Stapler	2
5	D372 4562	Timing Belt - B60S3M900	1
6	D372 4524	Gear/Pulley - 40Z/20T	1
7	D372 4535	Pulley - 20T	1
8	AW02 0141	Photointerruptor	1
9	D372 4531	Tightener Bracket	1
10	D372 4514	Middle Rail - Stapler	1
11	D372 4534	Tension Spring - Stapler	1
12	D372 4512	Shaft - Stapler	1
13	D372 4548	Stay - Stapler Timing Belt	1
14	D372 4547	Spacer - Stapler	2
15	D372 4546	Bracket - End Fence	1
16	D372 4541	Base - Stapler	1
17	D372 4552	Gear - Stapler	1
18	D372 4551	Bracket - Stapler Gear	1
19	D372 4553	Turn Gear - Stapler	1
20	B352 4318	Bushing - Lower Slider	2
21	D372 4545	Bracket - Staple	1
22	AA14 3790	Screw:Contact Point	1
23	D372 4559	Tension Spring - Gear	1
24	D372 4555	Holder:Bracket:Gear:Pressure	1
25	D372 4556	Bracket:Stapler:Positioning:Peen	1
26	D372 4561	Spacer:DIA4	1
27	D372 4554	Bracket - Stapler	1
28	D372 4592	Stapler & Guide:EH530	1
29	D372 4564	Stapler Guide	1
30	D372 4570	Gear Bracket - Pressure	1

Index No.	Part No.	Description	Q'ty Per Assembly
101	0451 3006N	Tapping Screw - 3x6	
102	0451 3008N	Tapping Screw - M3x8	
103	0360 3006P	Screw - M3x6	
104	0720 0040E	Retaining Ring - M4	
105	0720 0060E	Retaining Ring - M6	
106	0450 3008N	Tapping Screw - M3x8	
107	1105 0522	Edge Saddle - LES0510	
108	1105 0619	Clamp:LBWS-0605S-V0	
109	0805 0089	Retaining Ring - M4	

## 7.Paper Exit (D372)



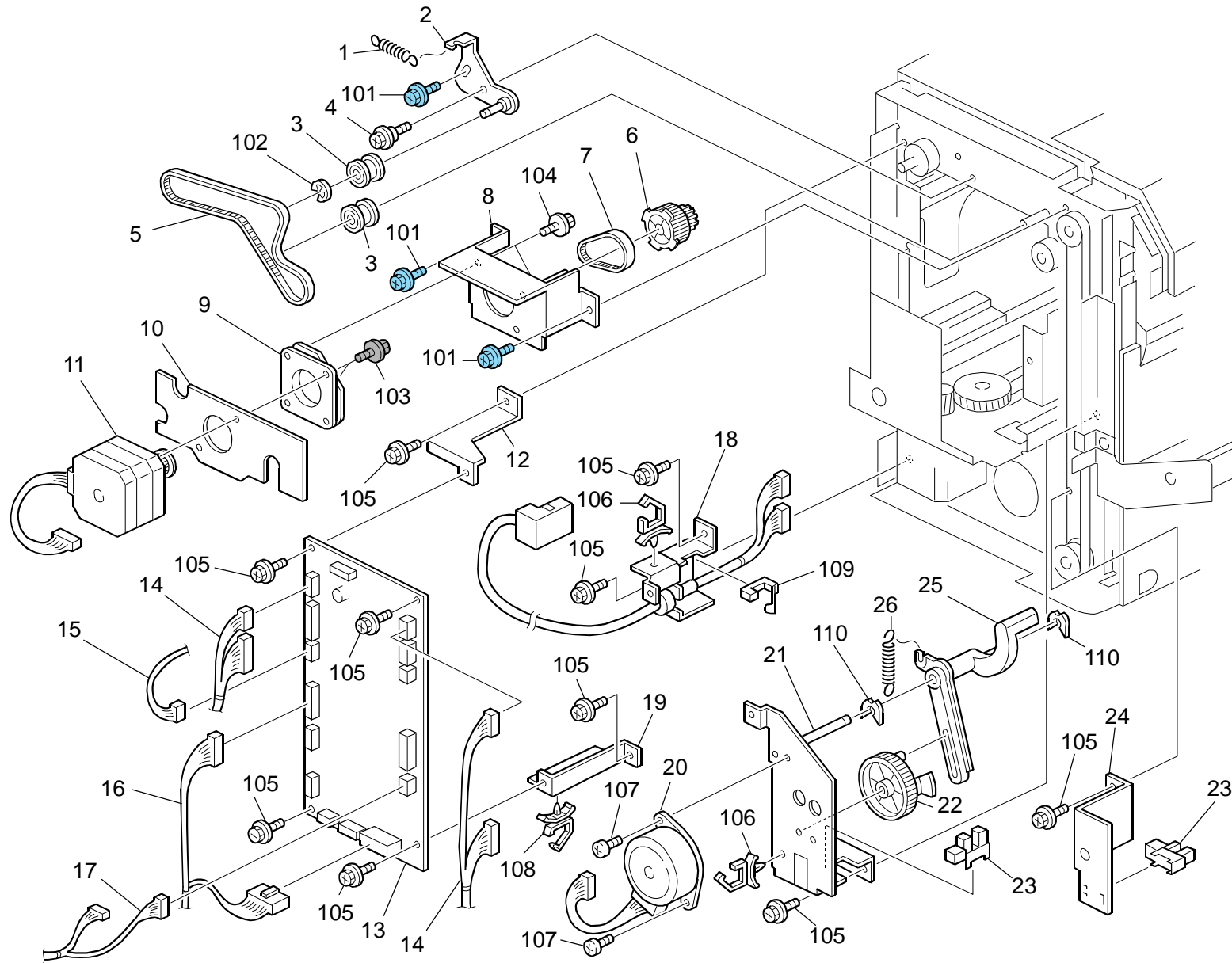
## 7.Paper Exit (D372)

Index No.	Part No.	Description	Q'ty Per Assembly
1	D372 3211	Tray Base Palte	1
2	D372 3100	End Fence:Ass'y	1
3	D372 3111	End Fence	1
4	D372 3145	Cushion - Guide Plate	4
5	D372 3152	Bracket - Solenoid	1
6	D372 3141	Torsion Spring - Front	1
7	D372 3121	Guide - Paper Senser	2
8	D372 3122	Stopper - Paper Senser	2
9	D372 5220	Interface Harness - End Fence	1
10	AW02 0141	Photointerruptor	1
11	D372 3132	Release Lever	1
12	D372 3142	Torsion Spring - Inner Back	1
13	D372 3221	Front Side Plate - Tray Lift	1
14	D372 3223	Timing Belt Stopper	2
15	D372 3511	Pulley - 20T	2
16	D372 3521	Pulley - 20T	2
17	D372 3516	Timing Belt - 60S3M492	2
18	D372 3512	Cover - Timing Belt	2
19	B872 2614	Bushing:R1	2
20	AX04 0238	DC Motor:Tray:Upper Lower:Drive	1
21	D372 3513	Drive Shaft - Tray Lift	1
22	D372 3514	Gear - 30Z	1
23	5215 2621	Snap Ring - M6	1
24	D372 3231	Rear Side Plate - Tray Lift	1

Index No.	Part No.	Description	Q'ty Per Assembly
101	0451 3008N	Tapping Screw - M3x8	
102	0451 3006N	Tapping Screw - 3x6	
103	0450 3008N	Tapping Screw - M3x8	
104	0353 0040N	Screw - M3x4	
105	0805 0089	Retaining Ring - M4	
106	0805 3385	Bushing - 6mm	
107	1105 0623	Clamp - LBWS-0206S-V0	
108	0720 0060E	Retaining Ring - M6	
109	0720 0040E	Retaining Ring - M4	
110	0450 4020N	Tapping Screw - M4x20	
111	0623 0140G	Spring Pin - 3x14	



## 8. Drive Section (D372)



## 8. Drive Section (D372)

Index No.	Part No.	Description	Q'ty Per Assembly
1	D372 2432	Tension Spring - Tightener	1
2	D372 2421	Bracket - Tightener	1
3	A548 2139	Pulley	2
4	AA14 3790	Screw:Contact Point	1
5	AA04 3633	Timing Belt - 40S3M312	1
6	D372 2414	Timing Pulley - 14T/37T	1
7	AA04 3620	Timing Belt - 40S2M102	1
8	D372 2451	Bracket:Motor:Transport:Ass'y	1
9	D372 5892	Cushion - Stepper Motor	1
10	D372 2416	Heat Sink - Transport Motor	1
11	D372 5802	Stepper Motor - DC 4W	1
12	D372 5221	Upper Bracket - PCB	1
13	D372 5521	PCB:Main Control:Ass'y	1
14	D372 5210	Harness - Jogger	1
15	D372 5250	Harness - Entrance Sensor	1
16	D372 5230	Sensor Harness - Stapler	1
17	D372 5240	Harness - Stapler Unit	1
18	D372 5201	Interface Harness	1
19	D372 5222	Lower Upper Bracket - PCB	1
20	AX04 0236	Stepper Motor - DC 20.4W	1
21	D372 2511	Bracket:Gathering Roller:Drive:Ass'y	1
22	D372 2521	Cam - Lever	1
23	AW02 0141	Photointerruptor	2
24	D372 3518	Down Sensor Bracket	1
25	D372 2522	Lever	1
26	D372 2523	Tension Spring - Lever	1

Index No.	Part No.	Description	Q'ty Per Assembly
101	0454 3006Q	Tapping Screw - M3x6	
102	0720 0040E	Retaining Ring - M4	
103	0360 3008P	Screw - M3x8	
104	0451 3008N	Tapping Screw - M3x8	
105	0451 3006N	Tapping Screw - 3x6	
106	1105 0623	Clamp - LBWS-0206S-V0	
107	0453 3006N	Tapping Screw - M3x6	
108	1105 0487	Harness Clamp	
109	1105 0522	Edge Saddle - LES0510	
110	0805 0089	Retaining Ring - M4	

# Parts Index

## Parts Index

Part No.	Description	Page and Index No.
D372 1112	Lever:Un Lock	7 - 1
D372 1113	Tension Spring - Lever	7 - 2
D372 1511	Rear Cover	3 - 1
D372 1522	Cover:Front	3 - 5
D372 1523	Front Door - Staple	3 - 10
D372 1524	Hinge - Fix Door	3 - 7
D372 1525	Hinge - Door	3 - 6
D372 1531	Cover:Exit	5 - 1
D372 1542	Bracket - Door Switch	7 - 12
D372 1543	Spring Plate - Door Switch	7 - 13
D372 1571	Front Cover	3 - 19
D372 2112	Exit Roller	7 - 22
D372 2113	Timing Pulley - 22T	7 - 15
D372 2114	Guide - Trailing Edge	7 - 21
D372 2121	Holder - Reverse Roller	7 - 24
D372 2122	Shaft - Reverse Roller	7 - 23
D372 2123	Gear - 20Z	7 - 25
D372 2124	Reverse Roller	7 - 26
D372 2131	Roller Arm	7 - 6
D372 2132	Drive Shaft - Roller	7 - 18
D372 2133	Shaft - Roller Fix	7 - 8
D372 2134	Timing Pulley - 18T	7 - 20
D372 2135	Gathering Roller	7 - 9
D372 2136	Ground Plate	7 - 14
D372 2141	Entrance Roller	5 - 12
D372 2212	Entrance Sensor Bracket	5 - 13
D372 2216	Guide Plate:Transport:Ass'y	5 - 9
D372 2221	Upper Guide Plate - Exit	5 - 5
D372 2222	Discharge Brush:Exit	5 - 4
D372 2231	Exit Lever	7 - 4
D372 2232	Tension Spring - Exit Lever	7 - 5
D372 2241	Witch Holder	7 - 11
D372 2311	Transport Cover	5 - 17
D372 2312	Compression Spring	5 - 15
D372 2414	Timing Pulley - 14T/37T	17 - 6

Part No.	Description	Page and Index No.
D372 2416	Heat Sink - Transport Motor	17 - 10
D372 2421	Bracket - Tightener	17 - 2
D372 2432	Tension Spring - Tightener	17 - 1
D372 2451	Bracket:Motor:Transport:Ass'y	17 - 8
D372 2511	Bracket:Gathering Roller:Drive:Ass'y	17 - 21
D372 2521	Cam - Lever	17 - 22
D372 2522	Lever	17 - 25
D372 2523	Tension Spring - Lever	17 - 26
D372 3100	End Fence:Ass'y	15 - 2
D372 3111	End Fence	15 - 3
D372 3121	Guide - Paper Sensor	15 - 7
D372 3122	Stopper - Paper Sensor	15 - 8
D372 3132	Release Lever	15 - 11
D372 3141	Torsion Spring - Front	15 - 6
D372 3142	Torsion Spring - Inner Back	15 - 12
D372 3145	Cushion - Guide Plate	15 - 4
D372 3152	Bracket - Solenoid	15 - 5
D372 3211	Tray Base Palte	15 - 1
D372 3221	Front Side Plate - Tray Lift	15 - 13
D372 3223	Timing Belt Stopper	15 - 14
D372 3231	Rear Side Plate - Tray Lift	15 - 24
D372 3411	Exit Tray	3 - 2
D372 3412	Exit Tray - Middle	3 - 4
D372 3413	Exit Tray - Slide	3 - 3
D372 3511	Pulley - 20T	15 - 15
D372 3512	Cover - Timing Belt	15 - 18
D372 3513	Drive Shaft - Tray Lift	15 - 21
D372 3514	Gear - 30Z	15 - 22
D372 3516	Timing Belt - 60S3M492	15 - 17
D372 3518	Down Sensor Bracket	17 - 24
D372 3521	Pulley - 20T	15 - 16
D372 4111	Stay:Jogger:Ass'y	11 - 39
D372 4115	Front Cover - Jogger Sensor	11 - 24
D372 4116	Rear Cover - Jogger Sensor	11 - 26
D372 4122	Bracket - Exit Belt	11 - 23

Part No.	Description	Page and Index No.
D372 4126	Exit Belt - 140S2M200	11 - 35
D372 4127	Pawl - Exit Belt	11 - 34
D372 4128	Pawl Cover - Exit Belt	11 - 33
D372 4131	Exit Shaft	11 - 31
D372 4132	Idler Shaft - Exit	11 - 21
D372 4133	Pulley - 16T	11 - 30
D372 4134	Pulley - 24T	11 - 22
D372 4143	Tray:Staple:Rear	11 - 5
D372 4147	Tray:Staple:Front	11 - 6
D372 4159	Guide Shaft - Jogger Fence	11 - 3
D372 4162	Motor Bracket	11 - 37
D372 4163	Timing Pulley - 18T	11 - 28
D372 4164	Jogger Fence:Rear	11 - 2
D372 4168	Jogger Fence:Front	11 - 4
D372 4172	Rear Slider - Standard Fence	11 - 18
D372 4173	Raer Standard Fence	11 - 16
D372 4174	Rack - Standard	11 - 19
D372 4176	Front Slider - Standard Fence	11 - 13
D372 4178	Rear Guide - Standard Fence	11 - 15
D372 4179	Front Guide - Standard Fence	11 - 10
D372 4181	Rear Slide Shaft - Standard Fence	11 - 17
D372 4182	Front Slide Shaft - Standard Fence	11 - 12
D372 4183	Standard Fence:Staple:Trailing Edge:Front	11 - 11
D372 4186	Pinion Holder - Standard Fence	11 - 20
D372 4187	Guide:Stapler:Rear	11 - 40
D372 4188	Guide:Stapler:Front	11 - 41
D372 4195	Tray:Staple:Middle	11 - 7
D372 4197	Tray:Staple:Middle:Auxiliary	11 - 8
D372 4198	Guide:Exit	9 - 26
D372 4211	Stay - Exit	9 - 5
D372 4242	Bracket - Exit Motor	9 - 4
D372 4243	Heat Sink - Exit Motor	9 - 2
D372 4261	Bracket - Exit	9 - 19
D372 4265	Cam Shaft - Slide	9 - 21
D372 4266	Arm Shaft - Exit	9 - 20

Part No.	Description	Page and Index No.
D372 4267	Slider Shaft - Standard Fence	9 - 22
D372 4268	Exit Arm	9 - 6
D372 4269	Pulley/Arm - Standard Fence	9 - 16
D372 4272	Slider - Standard Fence	9 - 25
D372 4277	Standard Fence - Middle	9 - 24
D372 4281	Shaft - Standard Fence	9 - 8
D372 4282	Pulley - 32T	9 - 10
D372 4283	Pulley - 16T	9 - 18
D372 4284	Pulley - 32T/16T	9 - 14
D372 4285	Pulley - 16T	9 - 12
D372 4291	Tension Spring:Return:Standard Fence	11 - 14
D372 4292	Tension Spring - ARM	9 - 9
D372 4512	Shaft - Stapler	13 - 12
D372 4513	Front/Rear Rail - Stapler	13 - 4
D372 4514	Middle Rail - Stapler	13 - 10
D372 4518	Cover Bracket - Rear Lower	13 - 3
D372 4524	Gear/Pulley - 40Z/20T	13 - 6
D372 4531	Tightener Bracket	13 - 9
D372 4534	Tension Spring - Stapler	13 - 11
D372 4535	Pulley - 20T	13 - 7
D372 4541	Base - Stapler	13 - 16
D372 4545	Bracket - Staple	13 - 21
D372 4546	Bracket - End Fence	13 - 15
D372 4547	Spacer - Stapler	13 - 14
D372 4548	Stay - Stapler Timing Belt	13 - 13
D372 4551	Bracket - Stapler Gear	13 - 18
D372 4552	Gear - Stapler	13 - 17
D372 4553	Turn Gear - Stapler	13 - 19
D372 4554	Bracket - Stapler	13 - 27
D372 4555	Holder:Bracket:Gear:Pressure	13 - 24
D372 4556	Bracket:Stapler:Positioning:Peen	13 - 25
D372 4559	Tension Spring - Gear	13 - 23
D372 4561	Spacer:DIA4	13 - 26
D372 4562	Timing Belt - B60S3M900	13 - 5
D372 4564	Stapler Guide	13 - 29

Part No.	Description	Page and Index No.
D372 4570	Gear Bracket - Pressure	13 - 30
D372 4592	Stapler & Guide:EH530	13 - 28
D372 5201	Interface Harness	17 - 18
D372 5210	Harness - Jogger	17 - 14
D372 5220	Interface Harness - End Fence	15 - 9
D372 5221	Upper Bracket - PCB	17 - 12
D372 5222	Lower Upper Bracket - PCB	17 - 19
D372 5230	Sensor Harness - Stapler	17 - 16
D372 5240	Harness - Stapler Unit	17 - 17
D372 5250	Harness - Entrance Sensor	17 - 15
D372 5521	PCB:Main Control:Ass'y	17 - 13
D372 5802	Stepper Motor - DC 4W	9 - 1
D372 5802	Stepper Motor - DC 4W	17 - 11
D372 5803	Stepper Motor - 20.4W	13 - 1
D372 5892	Cushion - Stepper Motor	13 - 2
D372 5892	Cushion - Stepper Motor	17 - 9
D372 5892	Cushion - Stepper Motor	9 - 3
D372 6110	Connecting Bracket	3 - 15
D372 6116	Lower Guide Plate - Connecting	3 - 14
D372 6117	Upper Guide Plate - Connecting	3 - 13
D372 6118	Stay - Connecting Bracket	3 - 16
D372 6121	Bracket - Lock Lever Cover	3 - 18
D372 6122	Cover Bracket - Lower Right	3 - 17
D372 6211	Left Stand	3 - 12
D372 6215	Stand Cover	3 - 11
D372 6811	Decal - Pick-up Paper Jam	3 - 9
D372 6812	Decal - Staple Exchange	3 - 8
D372 6813	Decal - Misfeed Removal	5 - 2
D372 6814	Caution Decal - Pick-Up Paper	5 - 3

Part No.	Description	Page and Index No.
A353 2763	Washer - M5	11 - 36
A548 2139	Pulley	17 - 3
A666 3180	Timing Pulley - Z32	11 - 32
A681 4515	Bushing - 6mm	11 - 1
B352 1607	Timing Pulley - T20-S3M	7 - 17
B352 1607	Timing Pulley - T20-S3M	5 - 10
B352 4318	Bushing - Lower Slider	13 - 20
B872 2515	Cushion:Bracket:Feed	7 - 7
B872 2614	Bushing:R1	5 - 11
B872 2614	Bushing:R1	15 - 19
G020 5626	Push Switch	5 - 18

Part No.	Description	Page and Index No.
AA04 3328	Timing Belt:40S2M130	9 - 13
AA04 3604	Timing Belt:B40S2M110	9 - 15
AA04 3620	Timing Belt - 40S2M102	17 - 7
AA04 3632	Timing Belt - 40S2M126	7 - 19
AA04 3633	Timing Belt - 40S3M312	17 - 5
AA04 3634	Timing Belt - 40S2M296	11 - 29
AA04 3635	Timing Belt - 40S2M276	11 - 27
AA04 3636	Timing Belt - 40S2M96	9 - 17
AA04 3637	Timing Belt - 40S2M124	9 - 11
AA06 3529	Pressure Spring - 14.5MM	5 - 6
AA08 0237	Bushing - 4x5x7	5 - 7
AA08 2101	Bushing - 6x10x6	7 - 10
AA14 3702	Screw:Pin:Positioning	7 - 3
AA14 3788	Pin:Guide Plate:Paper Feed	7 - 16
AA14 3790	Screw:Contact Point	13 - 22
AA14 3790	Screw:Contact Point	5 - 19
AA14 3790	Screw:Contact Point	17 - 4
AB01 1252	Gear - 20Z	9 - 23
AF02 2097	Driven Roller	5 - 8
AG07 0514	Magnet Catch	5 - 16
AW02 0141	Photointerruptor	15 - 10
AW02 0141	Photointerruptor	17 - 23
AW02 0141	Photointerruptor	13 - 8
AW02 0141	Photointerruptor	9 - 7
AW02 0141	Photointerruptor	11 - 25
AW02 0154	Photointerruptor:Entrance	5 - 14
AX04 0235	Stepper Motor - 20.4W	11 - 38
AX04 0236	Stepper Motor - DC 20.4W	17 - 20
AX04 0238	DC Motor:Tray:Upper Lower:Drive	15 - 20
GW01 0007	Photo Refiection Sensor:Exit	11 - 9

Part No.	Description	Page and Index No.
0242 0035N	Pan Head Screw:M2x3.5	11 - 107
0353 0040N	Screw - M3x4	15 - 104
0353 0140N	Screw:M3x14	7 - 102
0360 3006P	Screw - M3x6	13 - 103
0360 3008P	Screw - M3x8	9 - 101
0360 3008P	Screw - M3x8	17 - 103
0450 3008N	Tapping Screw - M3x8	13 - 106
0450 3008N	Tapping Screw - M3x8	15 - 103
0450 3008N	Tapping Screw - M3x8	11 - 103
0450 3008N	Tapping Screw - M3x8	3 - 102
0450 4020N	Tapping Screw - M4x20	15 - 110
0451 3006N	Tapping Screw - 3x6	5 - 104
0451 3006N	Tapping Screw - 3x6	11 - 101
0451 3006N	Tapping Screw - 3x6	7 - 101
0451 3006N	Tapping Screw - 3x6	13 - 101
0451 3006N	Tapping Screw - 3x6	15 - 102
0451 3006N	Tapping Screw - 3x6	9 - 102
0451 3006N	Tapping Screw - 3x6	17 - 105
0451 3008N	Tapping Screw - M3x8	13 - 102
0451 3008N	Tapping Screw - M3x8	15 - 101
0451 3008N	Tapping Screw - M3x8	3 - 101
0451 3008N	Tapping Screw - M3x8	17 - 104
0451 3008N	Tapping Screw - M3x8	5 - 101
0451 4014N	Tapping Screw:M4x14	3 - 104
0451 4020N	Tapping Screw - M4x20	3 - 105
0452 3008N	Tapping Screw - M3x8	9 - 104
0453 3006N	Tapping Screw - M3x6	17 - 107
0453 3006N	Tapping Screw - M3x6	11 - 105
0454 3006Q	Tapping Screw - M3x6	17 - 101
0454 3006Q	Tapping Screw - M3x6	5 - 102
0454 3006Q	Tapping Screw - M3x6	3 - 103
0623 0140G	Spring Pin - 3x14	15 - 111
0632 0100G	Pin - 2x10mm	11 - 110
0710 0020P	Hexagonal Nut:M2	11 - 108
0720 0040E	Retaining Ring - M4	11 - 104

Part No.	Description	Page and Index No.
0720 0040E	Retaining Ring - M4	13 - 104
0720 0040E	Retaining Ring - M4	7 - 103
0720 0040E	Retaining Ring - M4	17 - 102
0720 0040E	Retaining Ring - M4	15 - 109
0720 0040E	Retaining Ring - M4	9 - 103
0720 0060E	Retaining Ring - M6	15 - 108
0720 0060E	Retaining Ring - M6	13 - 105
0805 0088	Retaining Ring - M6	5 - 105
0805 0089	Retaining Ring - M4	11 - 102
0805 0089	Retaining Ring - M4	7 - 104
0805 0089	Retaining Ring - M4	13 - 109
0805 0089	Retaining Ring - M4	15 - 105
0805 0089	Retaining Ring - M4	17 - 110
0805 3385	Bushing - 6mm	11 - 109
0805 3385	Bushing - 6mm	7 - 105
0805 3385	Bushing - 6mm	15 - 106
0805 3385	Bushing - 6mm	9 - 108
1105 0328	Harness Clamp - ES-0505	9 - 106
1105 0487	Harness Clamp	17 - 108
1105 0511	Harness Clamp - LWS-0306ZC	5 - 103
1105 0522	Edge Saddle - LES0510	9 - 107
1105 0522	Edge Saddle - LES0510	13 - 107
1105 0522	Edge Saddle - LES0510	17 - 109
1105 0619	Clamp:LBWS-0605S-V0	9 - 105
1105 0619	Clamp:LBWS-0605S-V0	13 - 108
1105 0623	Clamp - LBWS-0206S-V0	15 - 107
1105 0623	Clamp - LBWS-0206S-V0	17 - 106
1105 0623	Clamp - LBWS-0206S-V0	11 - 106
1204 2515	Micro Switch - DE2L-FJ10	7 - 106
1204 2612	Micro Switch:D3V-16506-3C25	7 - 107

Part No.	Description	Page and Index No.
5215 2621	Snap Ring - M6	15 - 23