

SR790 (B408)

SR790 (B408)

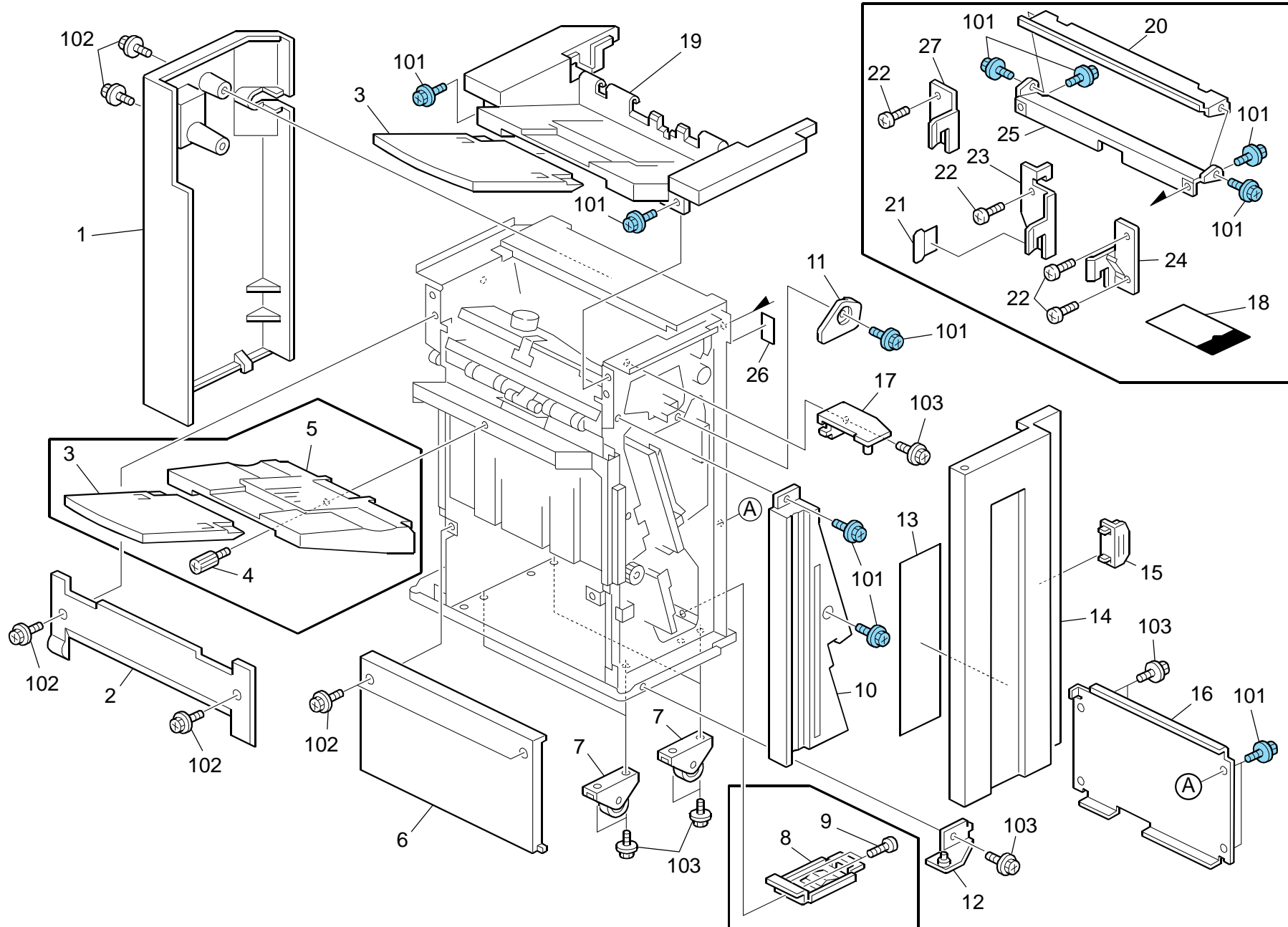
PARTS CATALOG

This catalog gives the numbers and names of parts on this machine.

1.Exterior (B408)	2
2.Transport Section (B408).....	4
3.Paper Exit Section 1 (B408).....	6
4.Paper Exit Section 2 (B408).....	8
5.Vertical Transport (B408).....	10
6.Staple Section 1 (B408)	12
7.Staple Section 2 (B408)	14
8.Staple Section 3 (B408)	16
9.Shift Tray Drive (B408)	18
10.Drive Section (B408).....	20
11.Electrical Section (B408).....	22
12.Decals And Documents (B408).....	24
Parts Index.....	28

June ,16 ' 2008

1.Exterior (B408)



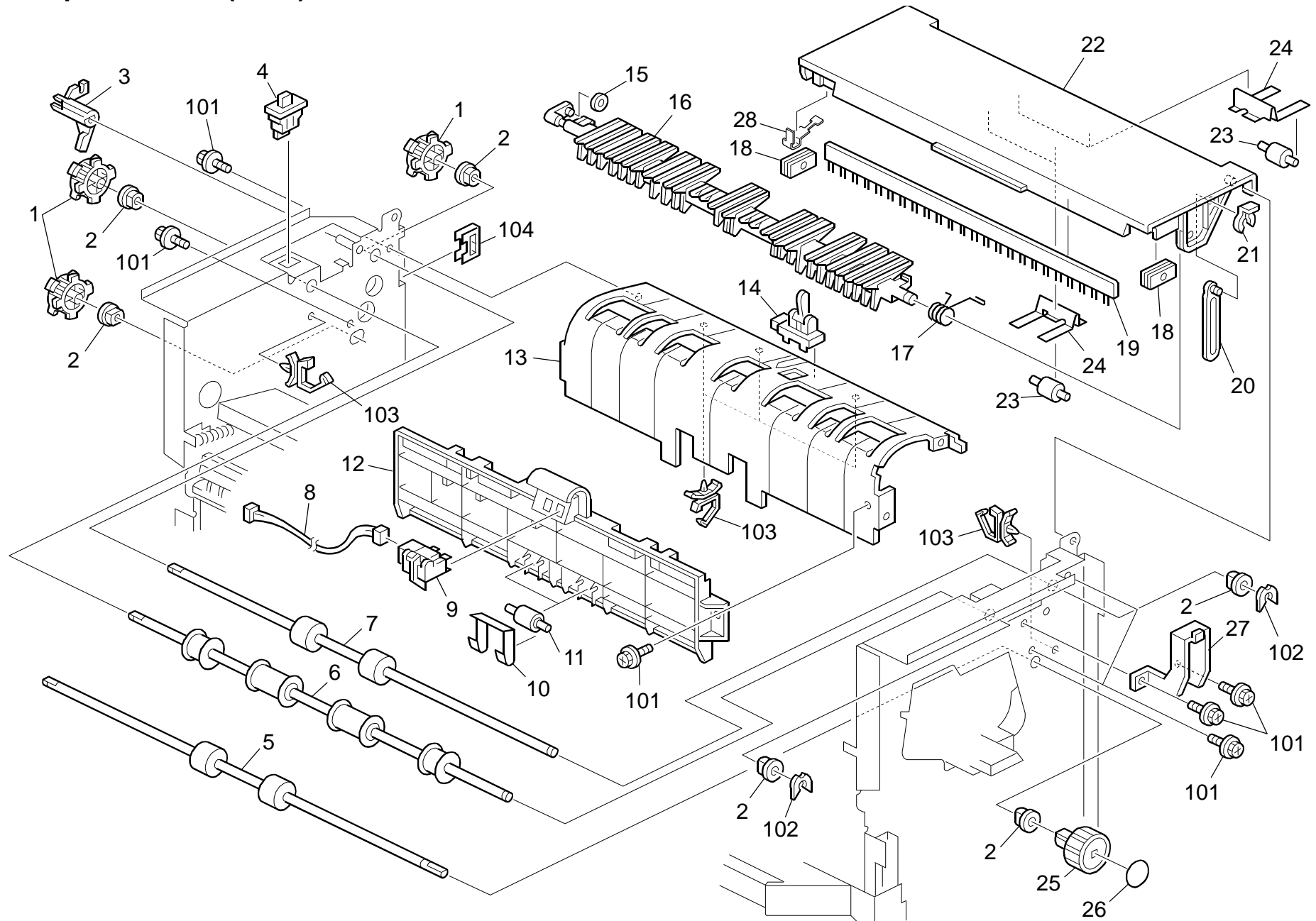
1.Exterior (B408)

Index No.	Part No.	Description	Q'ty Per Assembly
1	B408 6142	Cover:Rear	1
2	B408 6151	Left Upper Cover	1
3	B408 3412	Slide Tray	2
4	B714 3115	Knob Screw:Document Feeder:Fix	1
5	B408 3411	Tray	1
6	B408 6161	Left Lower Cover	1
7	B408 1317	Caster:250N	4
8	B408 1429	Ground Plate Bracket	1
9	B408 1390	Flat Screw:Groove Type	2
10	B408 6131	Left Inner Cover	1
11	B408 1241	Guard - Side Plate Front	1
12	B408 6124	Hinge - Door Lower	1
13	B408 7151	Decal - Misfeed Removal	1
14	B408 6121	Front Cover	1
15	AG07 0512	Magnetic Catch:Ass'y	1
16	B408 6172	Cover:Right Lower	1
17	B408 6122	Hinge - Door Upper	1
18	B408 7171	Decal - Staple	1
19	B408 6111	Upper Cover	1
20	B408 2192	Guide Plate - Connecting Upper	1
21	B408 1418	Mylar - Rear Joint Bracket	1
22	B408 1431	Flat Screw:Coupling	4
23	B408 1414	Bracket - Coupling Rear	1
24	B408 1445	Bracket:Coupling:Ground Plate:Front:Ass'y	1
25	B408 2191	Guide Plate - Connecting Lower	1
26	B408 1251	Film:Side Plate:Front	1
27	B408 1441	Bracket:Coupling:Ground Plate:Rear:Ass'y	1

Index No.	Part No.	Description	Q'ty Per Assembly
101	0454 3006Q	Tapping Screw:3x6	
102	0451 3008N	Tapping Screw - M3x8	
103	0451 3006N	Tapping Screw - 3x6	



2.Transport Section (B408)

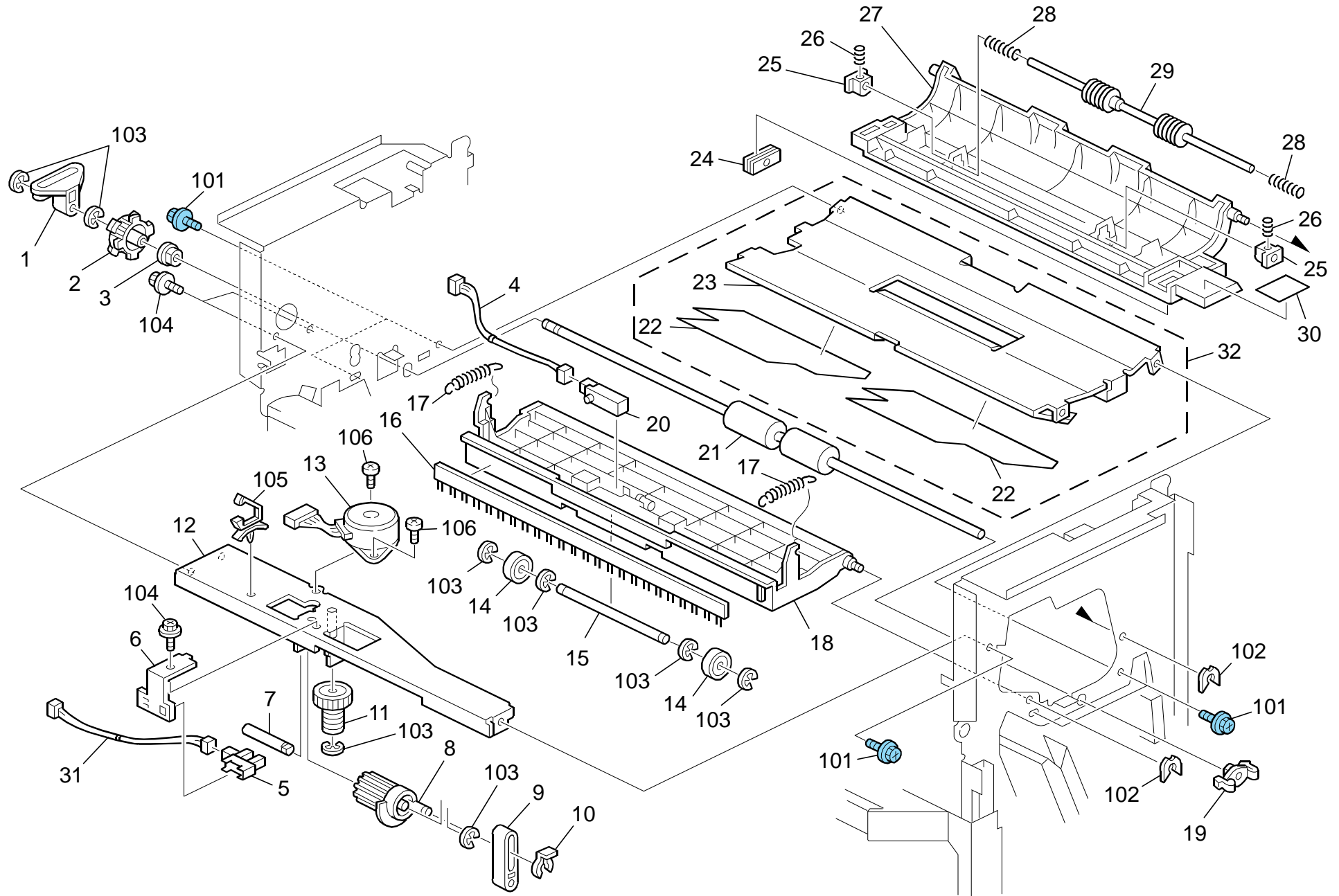


2.Transport Section (B408)

Index No.	Part No.	Description	Q'ty Per Assembly
1	B408 2271	Pulley - T24	3
2	AA08 2101	Bushing - 6x10x6	6
3	B408 2532	Lever - Paper Guide Upper	1
4	G020 5626	Push Switch	1
5	B408 2221	Transfer Roller - Upper	1
6	B408 2232	Exit Roller:Proof Tray	1
7	B408 2211	Transfer Roller	1
8	B408 5315	Harness - Connecting	1
9	AW02 0170	Photointerruptor:Overflow:CT	1
10	A859 3425	Spring Plate	2
11	A859 3420	Middle Driven Roller	2
12	B408 2158	Guide Plate:Entrance:Left	1
13	B408 2152	Guide Plate - Entrance	1
14	AW02 0169	Photointerruptor - OS - 580213-703	1
15	A548 1317	Lever Cushion	1
16	B408 2723	Upper Paer Guide	1
17	B408 2722	Spring - Upper Paper Guide	1
18	AG07 0514	Magnet Catch:Ass'y	2
19	B408 2715	Discharge Brush	1
20	B408 2731	Arm - Top Cover	1
21	5447 2681	Snap Ring	1
22	B408 2711	Top Cover	1
23	AF04 0558	Driven Roller	4
24	A688 3960	Roller Holder	4
25	B408 2281	Knob - Transfer Roller	1
26	B408 7112	Decal - Knob R2	1
27	B408 1231	Angle - Front Side Plate	1
28	B408 2751	Ground Plate:Exit:Proof Tray	1

Index No.	Part No.	Description	Q'ty Per Assembly
101	0454 3006Q	Tapping Screw:3x6	
102	0805 0089	Retaining Ring - M4	
103	1105 0623	Clamp - LBWS-0206S-V0	
104	1105 0522	Edge Saddle - LES0510	

3.Paper Exit Section 1 (B408)

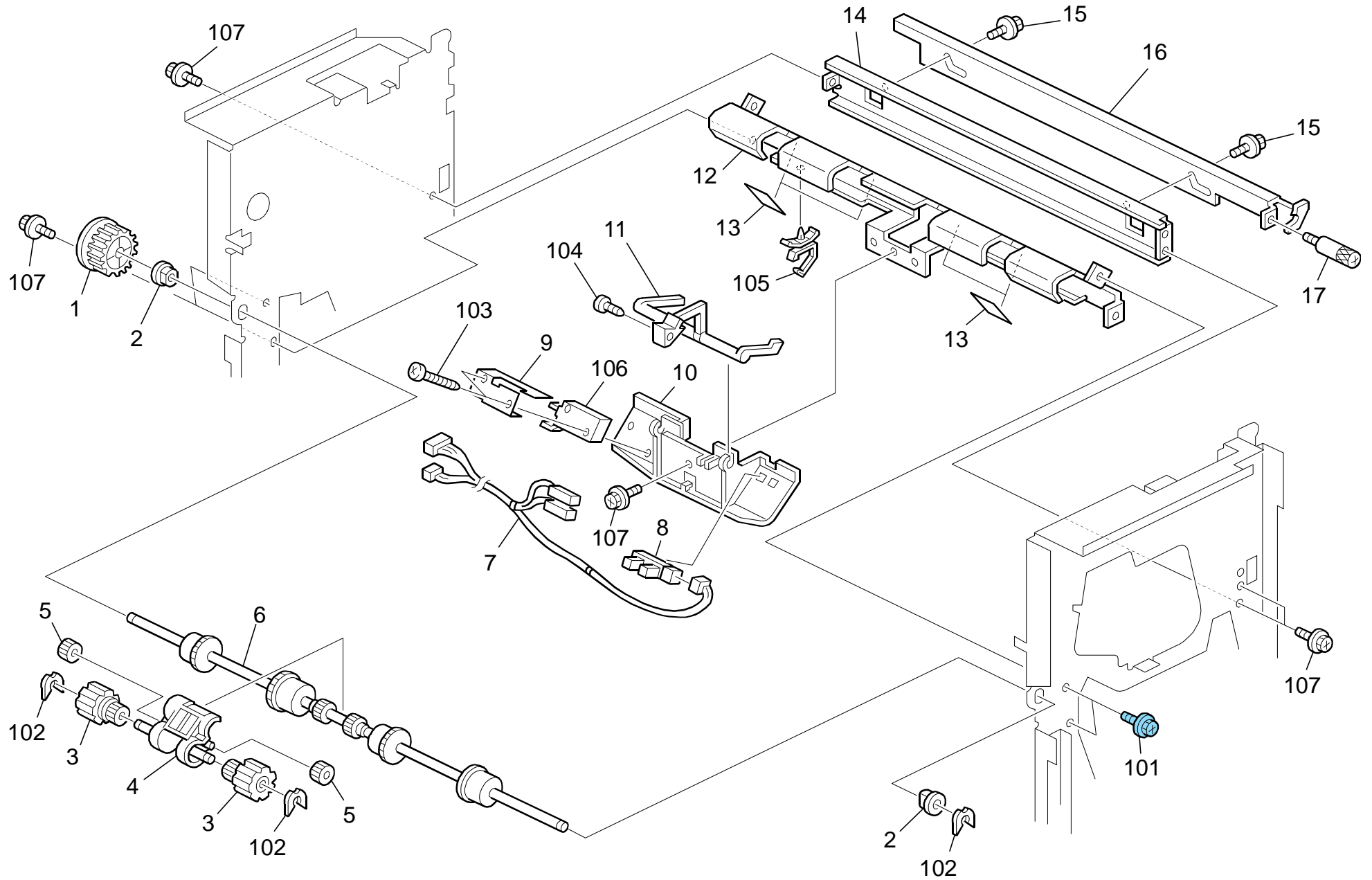


3.Paper Exit Section 1 (B408)

Index No.	Part No.	Description	Q'ty Per Assembly
1	B408 2314	Arm - Roller Slide	1
2	B408 2313	Pulley - T24	1
3	AA08 2101	Bushing - 6x10x6	1
4	B408 5355	Sensor Relay Harness - 280mm	1
5	AW02 0156	Photointerruptor:EE-SX4235A-P2	1
6	B408 2841	Bracket - Home Position Sensor	1
7	B408 2833	Shaft - Worm Wheel	1
8	B408 2832	Worm Wheel - Z20	1
9	B408 2861	Arm - Guide Plate	1
10	5447 2681	Snap Ring	1
11	B408 2831	Gear - Z53	1
12	B408 2821	Stay - Guide Plate	1
13	AX05 0244	Stepper Motor:MM42:0.85A	1
14	A681 2742	Driven Exit Roller	2
15	A666 4210	Shaft - Exit Roller	1
16	B408 2813	Discharge Brush:Exit:Open and Close	1
17	B408 2852	Spring - Guide Plate Exit	2
18	B408 2811	Guide Plate - Exit	1
19	B408 2312	Bushing - Roller Slide	1
20	AW01 0109	Photo Reflection Sensor:PS117ED1	1
21	B408 2311	Slide Roller	1
22	B408 2162	Guide Mylar	2
23	B408 2161	Guide Plate:Shift	1
24	AG07 0514	Magnet Catch:Ass'y	2
25	B408 2175	Bushing - Roller Slide	2
26	A697 2144	Pressure Spring	2
27	B408 2172	Guide Plate - Shift	1
28	B408 2174	Spring	2
29	B408 2173	Slide Roller	1
30	B408 7102	Decal - Shift Tray R1 MB1	1
31	B408 5345	Harness:Connecting:325MM	1
32	B408 2160	Guide Plate - Shift Ass'y	1

Index No.	Part No.	Description	Q'ty Per Assembly
101	0454 3006Q	Tapping Screw:3x6	
102	0805 0089	Retaining Ring - M4	
103	0720 0040E	Retaining Ring - M4	
104	0451 3006N	Tapping Screw - 3x6	
105	1105 0623	Clamp - LBWS-0206S-V0	
106	0453 3006N	Tapping Screw - M3x6	

4.Paper Exit Section 2 (B408)

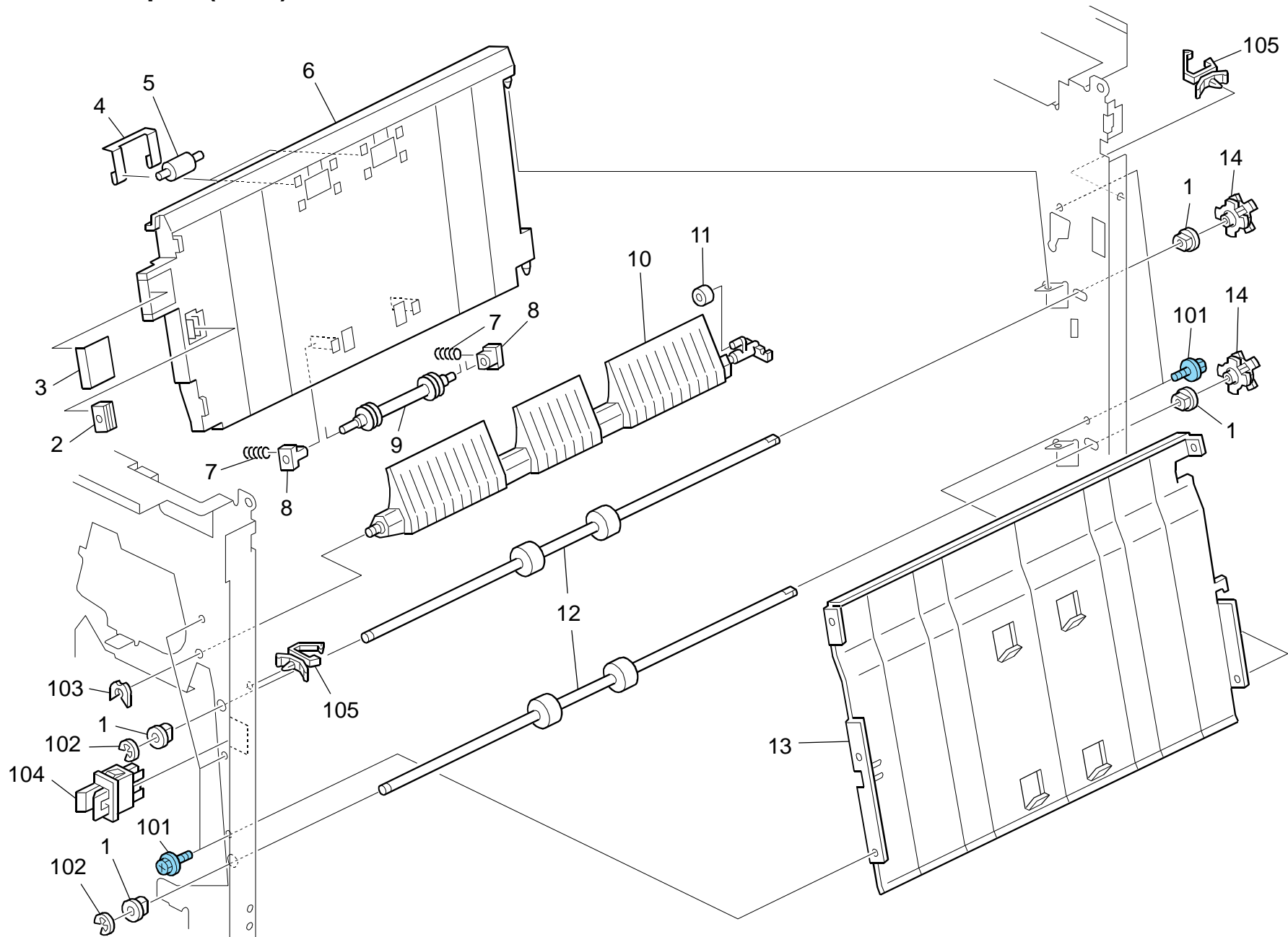


4.Paper Exit Section 2 (B408)

Index No.	Part No.	Description	Q'ty Per Assembly
1	B408 2272	Pulley - T30	1
2	AA08 2101	Bushing - 6x10x6	2
3	B352 2407	Reverse Roller - 20z	2
4	B408 2246	Reverse Roller Arm	1
5	B352 2409	Idler Gear - 17z	2
6	B408 2241	Exit Roller	1
7	B408 5307	Harness:Connecting:Paper Senser	1
8	AW02 0156	Photointerruptor:EE-SX4235A-P2	1
9	B408 3613	Lever - Micro Switch	1
10	B408 3611	Stay - Paper Sensor	1
11	B408 3612	Paper Sensor Feeler	1
12	B408 2184	Guide Plate:Exit:Stapler	1
13	A681 2722	Guide Mylar - Lower Exit Guide	4
14	B408 1413	Coupling Stay	1
15	AA14 3790	Screw:Contact Point	2
16	B408 1411	Coupling Lever	1
17	B408 1412	Flat Screw	1

Index No.	Part No.	Description	Q'ty Per Assembly
101	0454 3006Q	Tapping Screw:3x6	
102	0805 0089	Retaining Ring - M4	
103	0452 3020N	Tapping Screw - 3x20	
104	0452 3008N	Tapping Screw - M3x8	
105	1105 0623	Clamp - LBWS-0206S-V0	
106	1204 2540	Micro Switch - AM50650C3	
107	0451 3006N	Tapping Screw - 3x6	

5.Vertical Transport (B408)

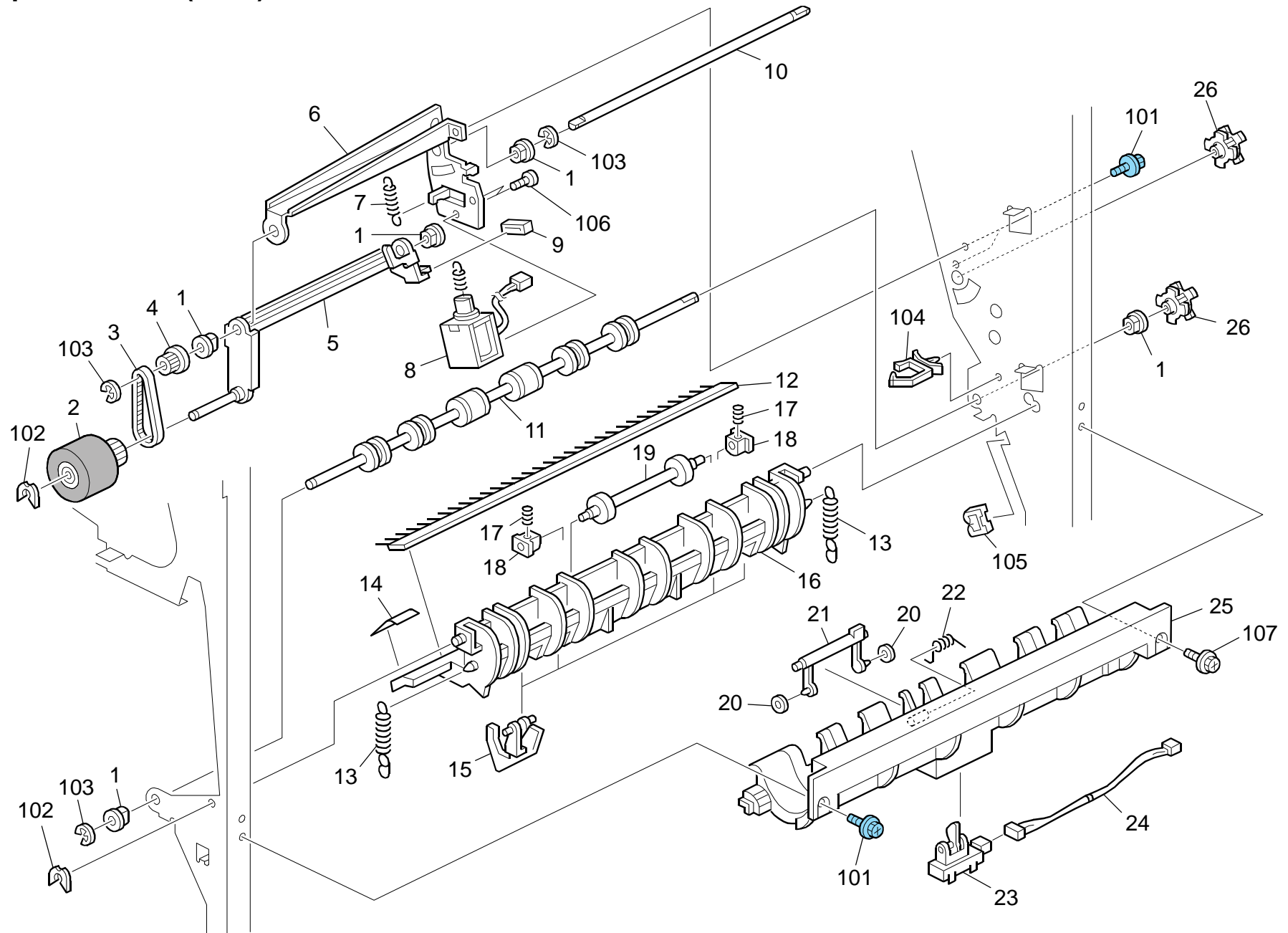


5.Vertical Transport (B408)

Index No.	Part No.	Description	Q'ty Per Assembly
1	AA08 2101	Bushing - 6x10x6	4
2	AG07 0514	Magnet Catch:Ass'y	1
3	B408 7122	Decal - Stapler Tray R3	1
4	A859 3425	Spring Plate	2
5	A859 3420	Middle Driven Roller	2
6	B408 2142	Guide Plate - Stapler Tray	1
7	A697 2144	Pressure Spring	2
8	AA08 0237	Bushing - 4x5x7	2
9	AF02 2097	Driven Roller	1
10	B408 2541	Gate Pawl:Lower	1
11	A548 1317	Lever Cushion	1
12	B408 2211	Transfer Roller	2
13	B408 2131	Upper Guide Plate	1
14	B408 2271	Pulley - T24	2

Index No.	Part No.	Description	Q'ty Per Assembly
101	0454 3006Q	Tapping Screw:3x6	
102	0720 0040E	Retaining Ring - M4	
103	0805 0089	Retaining Ring - M4	
104	1204 2541	Interlock Switch	
105	1105 0623	Clamp - LBWS-0206S-V0	

6. Staple Section 1 (B408)

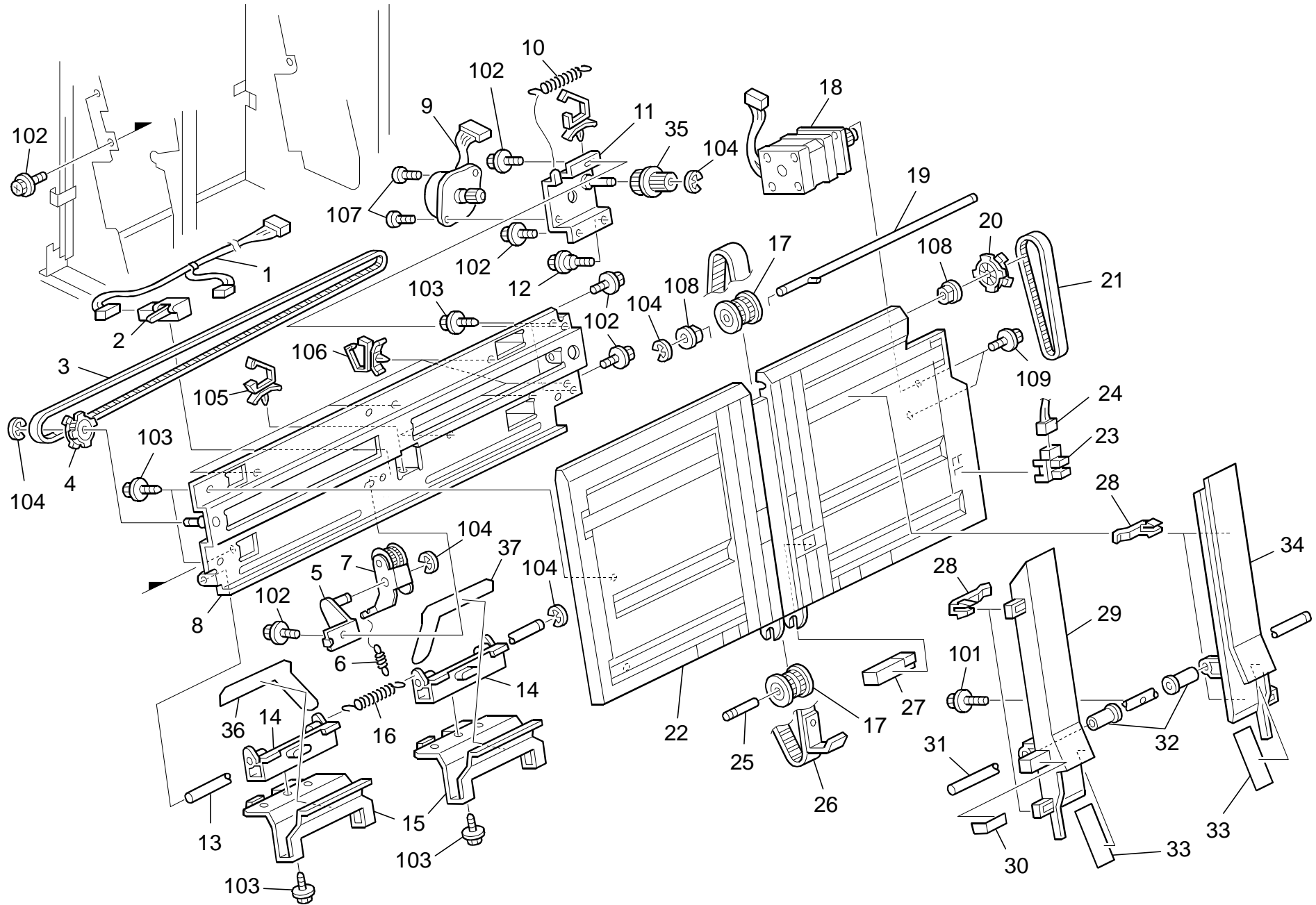


6.Staple Section 1 (B408)

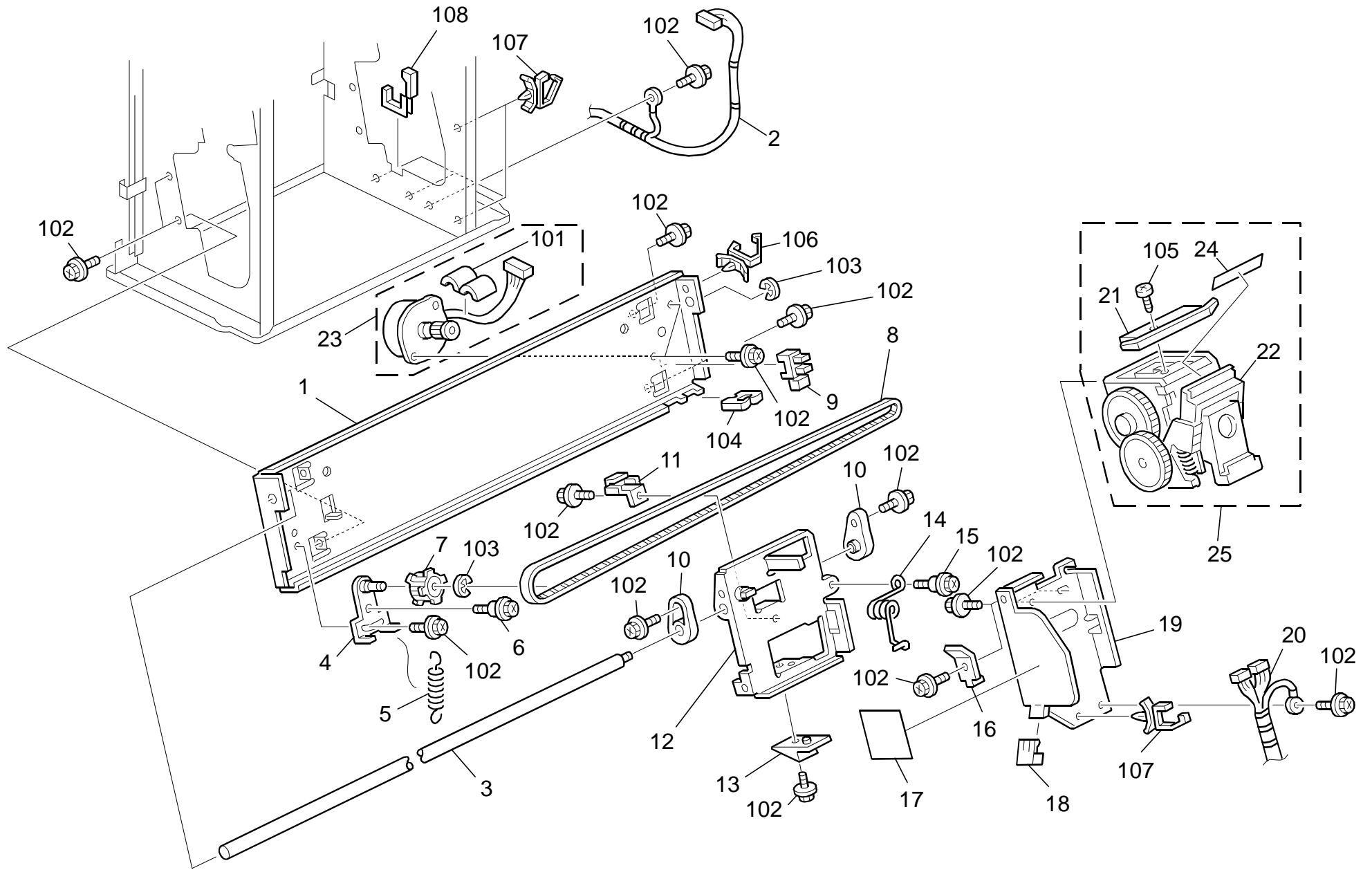
Index No.	Part No.	Description	Q'ty Per Assembly
1	AA08 2101	Bushing - 6x10x6	5
2	B408 2435	Gathering Roller:Ass'y	1
3	B408 2434	Timing Belt - 124P2M4	1
4	B408 2422	Pulley - T16	1
5	B408 2411	Arm - Positioning Roller	1
6	B408 2421	Bracket - Positioning Roller	1
7	B408 2444	Spring - Positioning Roller	1
8	B408 2451	DC Solenoid - 12.5W	1
9	A498 4625	Arm Cushion	1
10	B408 2441	Shaft - Positioning Roller	1
11	B408 2251	Stapler Exit Roller	1
12	B408 2117	Discharge Brush:Exit:Stapler Tray	1
13	B352 2206	Tension Spring - Lower Guide	2
14	B408 7132	Decal - Stapler Tray Exit R4	1
15	B700 2113	Guide:Trailing Edge	4
16	B408 2011	Guide Plate:Lower:Open and Close:Small:Ass'y	1
17	A697 2144	Pressure Spring	2
18	B352 2205	Bushing - Driven Roller	2
19	B352 2204	Driven Roller	1
20	B352 2229	Roller - Paper Guide	2
21	B352 2222	Paper Guide - Trailing Edge	1
22	B352 2232	Torsion Spring	1
23	AW02 0169	Photointerruptor - OS - 580213-703	1
24	B408 5355	Sensor Relay Harness - 280mm	1
25	B408 2122	Guide Plate - Lower	1
26	B408 2271	Pulley - T24	2

Index No.	Part No.	Description	Q'ty Per Assembly
101	0454 3006Q	Tapping Screw:3x6	
102	0805 0089	Retaining Ring - M4	
103	0720 0040E	Retaining Ring - M4	
104	1105 0623	Clamp - LBWS-0206S-V0	
105	1105 0328	Harness Clamp - ES-0505	
106	0353 0040N	Screw - M3x4	
107	0451 3006N	Tapping Screw - 3x6	

7.Staple Section 2 (B408)



8.Staple Section 3 (B408)

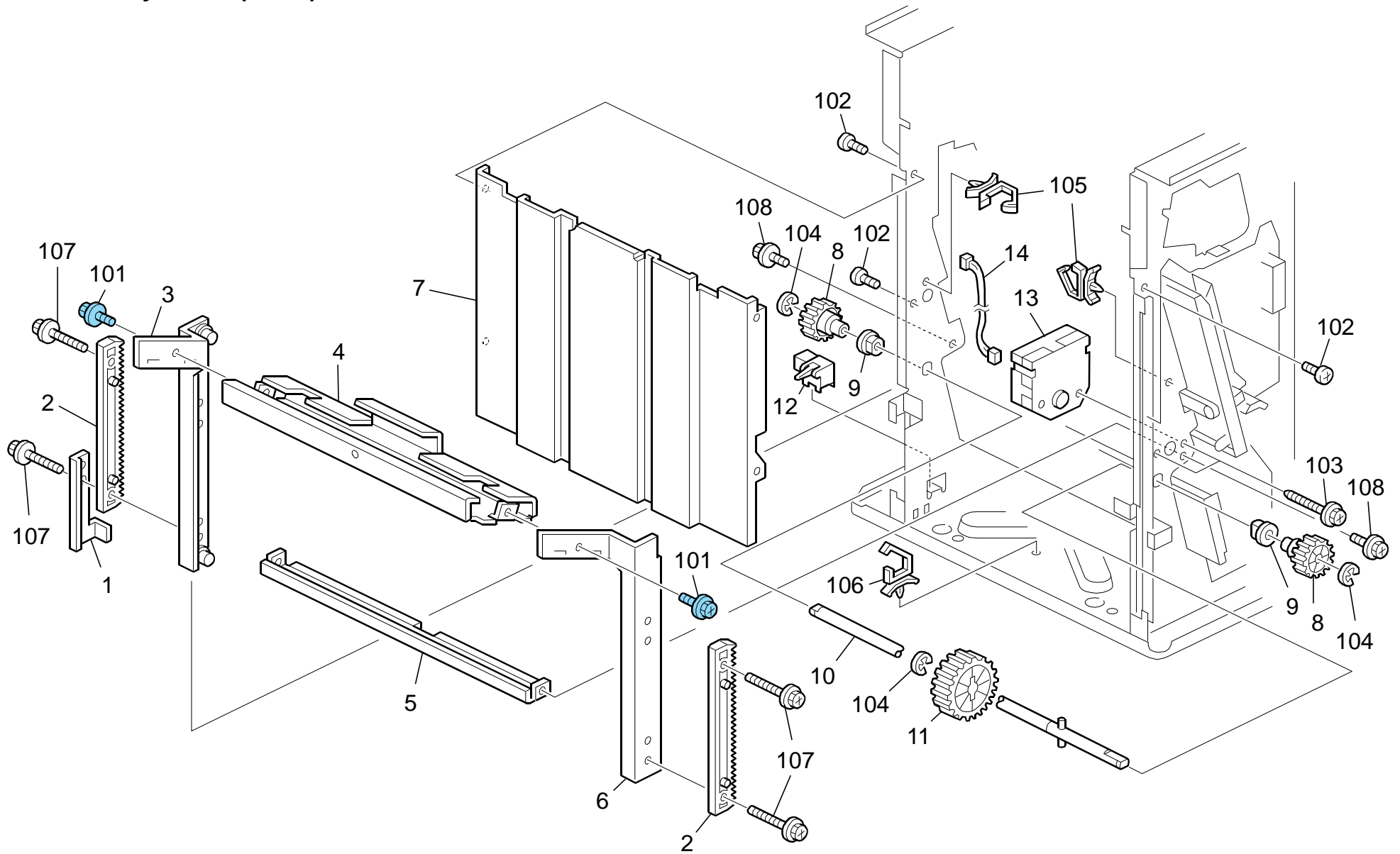


8.Staple Section 3 (B408)

Index No.	Part No.	Description	Q'ty Per Assembly
1	B408 4211	Stapler Stay	1
2	B408 5227	Harness:Sensor:Stapler Tray	1
3	B408 4212	Stapler Guide Rod	1
4	B408 4223	Belt Tensioner - Stapler	1
5	AA06 2334	Tension Spring:4.9N	1
6	AA14 3790	Screw:Contact Point	1
7	A697 4170	Pulley - 32T	1
8	B408 4231	Timing Belt - 846P2M4	1
9	AW02 0156	Photointerruptor:EE-SX4235A-P2	1
10	B408 4125	Stapler Bushing	2
11	B408 4126	Timing Belt Stay	1
12	B408 4121	Stapler Slider	1
13	B408 4127	Stay Slider	1
14	B408 4128	Spring	1
15	AA14 3823	Tapping Screw	1
16	B408 4114	Stapler Stopper	1
17	B408 7161	Decal - Stapler	1
18	B408 4113	Stapler Knob	1
19	B408 4111	Stapler Base	1
20	B408 5255	Harness:Stapler MB3	1
21	B408 4112	Stapler Guide	1
22	B352 4380	Stapler - EH530	1
23	B408 5630	Stepper Motor:Ass'y	1
24	B408 4115	Stapler Upper Mylar	1
25	B408 4101	Stapler Ass'y	1

Index No.	Part No.	Description	Q'ty Per Assembly
101	1607 0622	Ferrite Core - TFC16816	
102	0451 3006N	Tapping Screw - 3x6	
103	0720 0040E	Retaining Ring - M4	
104	1105 0328	Harness Clamp - ES-0505	
105	0452 3006N	Binding Self-Tapping Screw:3x6	
106	1105 0623	Clamp - LBWS-0206S-V0	
107	1105 0310	Harness Clamp - LWS-1S	
108	1105 0334	Edge - 17	

9.Shift Tray Drive (B408)

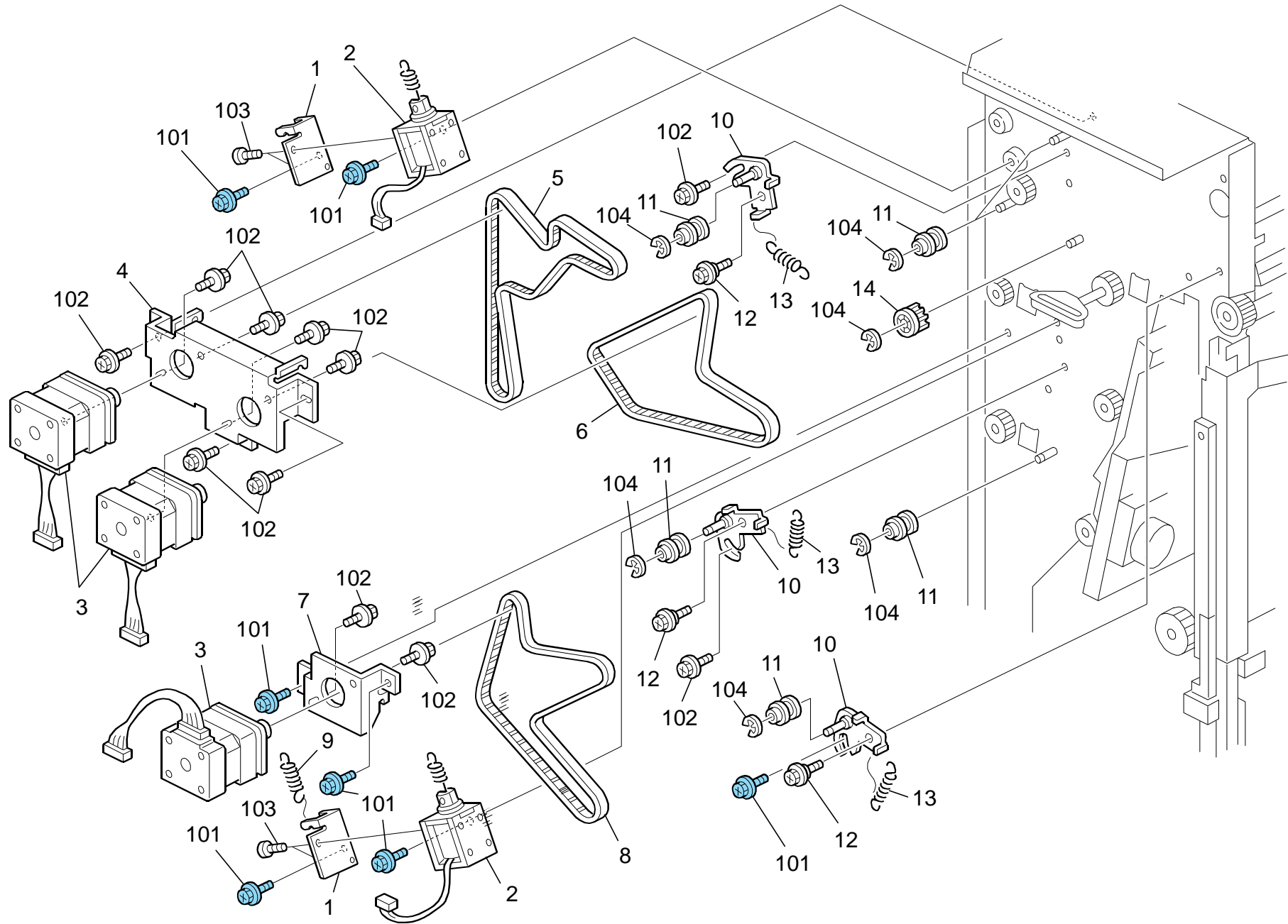


9.Shift Tray Drive (B408)

Index No.	Part No.	Description	Q'ty Per Assembly
1	B408 3233	Tray H.P Sensor Feeler	1
2	A666 2331	Rack	2
3	B408 3231	Rear Guide Plate	1
4	B408 3211	Tray Base	1
5	B408 1511	Middle Stay	1
6	B408 3221	Front Guide Plate	1
7	B408 3112	End Fence	1
8	A666 2345	Gear - Z20	2
9	AA08 2070	Bushing - 8x16x7	2
10	B408 3311	Tray Shaft	1
11	G838 2347	Gear:Z45	1
12	AW02 0166	Photointerruptor:Paper Feed Sensor	1
13	AX04 0238	DC Motor:Tray:Upper Lower:Drive	1
14	B408 5325	Harness:Connecting:575mm	1

Index No.	Part No.	Description	Q'ty Per Assembly
101	0454 3006Q	Tapping Screw:3x6	
102	0453 3006N	Tapping Screw - M3x6	
103	0450 4020N	Tapping Screw - M4x20	
104	0720 0060E	Retaining Ring - M6	
105	1105 0623	Clamp - LBWS-0206S-V0	
106	1105 0310	Harness Clamp - LWS-1S	
107	0451 3010N	Tapping Screw:3x10	
108	0451 3006N	Tapping Screw - 3x6	

10. Drive Section (B408)

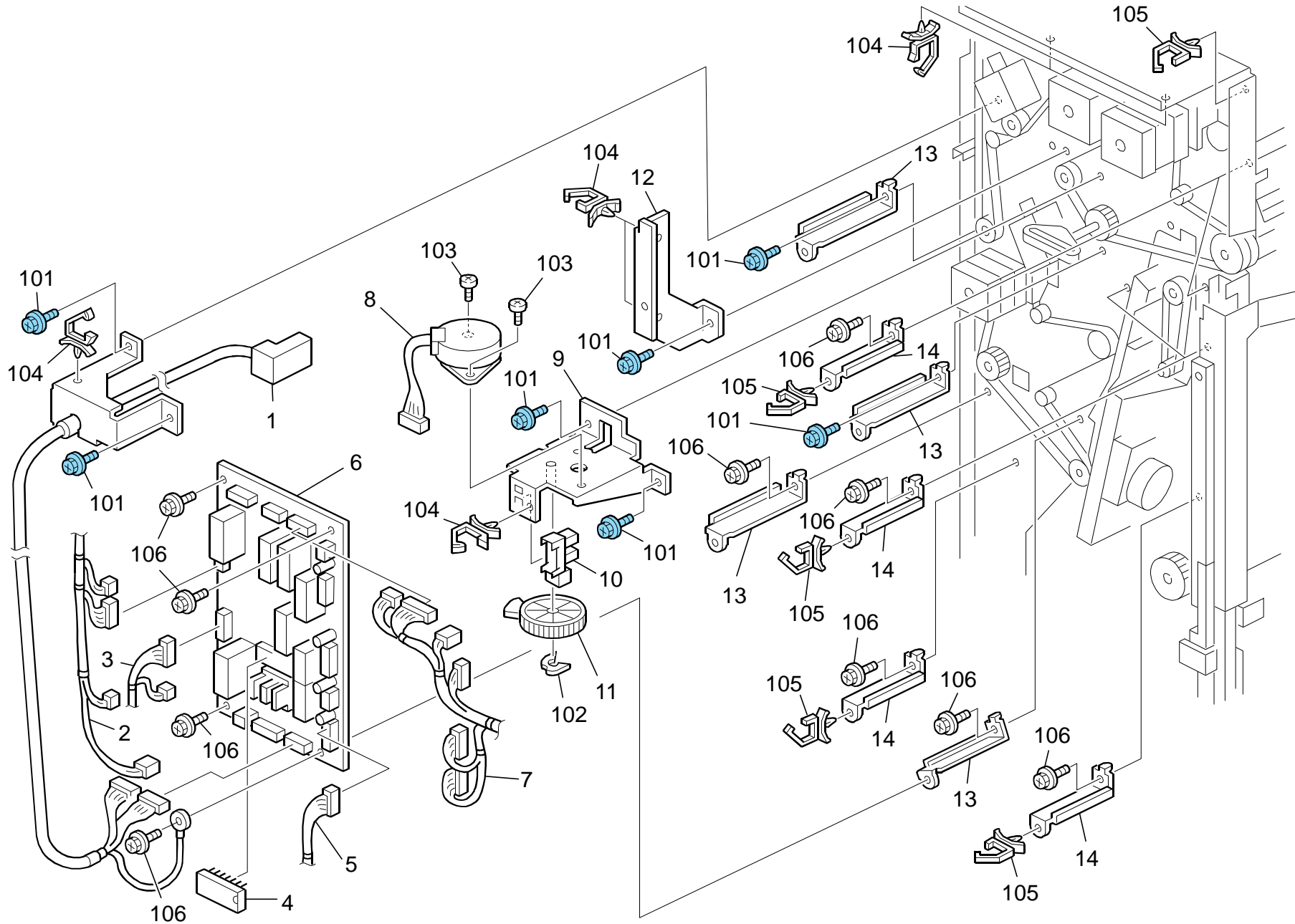


10. Drive Section (B408)





Index No.	Part No.	Description	Q'ty Per Assembly
1	B408 2512	Bracket - DC Solenoid	2
2	B545 5809	DC Solenoid:Polarization Powl	2
3	B408 5610	Stepper Motor:MM42:S3M:T11:Ass'y	3
4	B408 2912	Bracket - Stepper Motor	1
5	B408 2901	Timing Belt - B40S3M720	1
6	B408 2903	Timing Belt - B40S3M525	1
7	B408 2922	Bracket - Stepper Motor	1
8	B408 2902	Timing Belt - B40S3M579	1
9	AA06 2333	Tension Spring:2.16N	1
10	B408 2955	Bracket:Tightener:Ass'y	3
11	A548 2139	Pulley	6
12	AA14 3790	Screw:Contact Point	3
13	AA06 2334	Tension Spring:4.9N	3
14	AB03 0354	Pulley - 20T	1


Index No.	Part No.	Description	Q'ty Per Assembly
101	0454 3006Q	Tapping Screw:3x6	
102	0451 3006N	Tapping Screw - 3x6	
103	0353 0040N	Screw - M3x4	
104	0720 0040E	Retaining Ring - M4	

11.Electrical Section (B408)

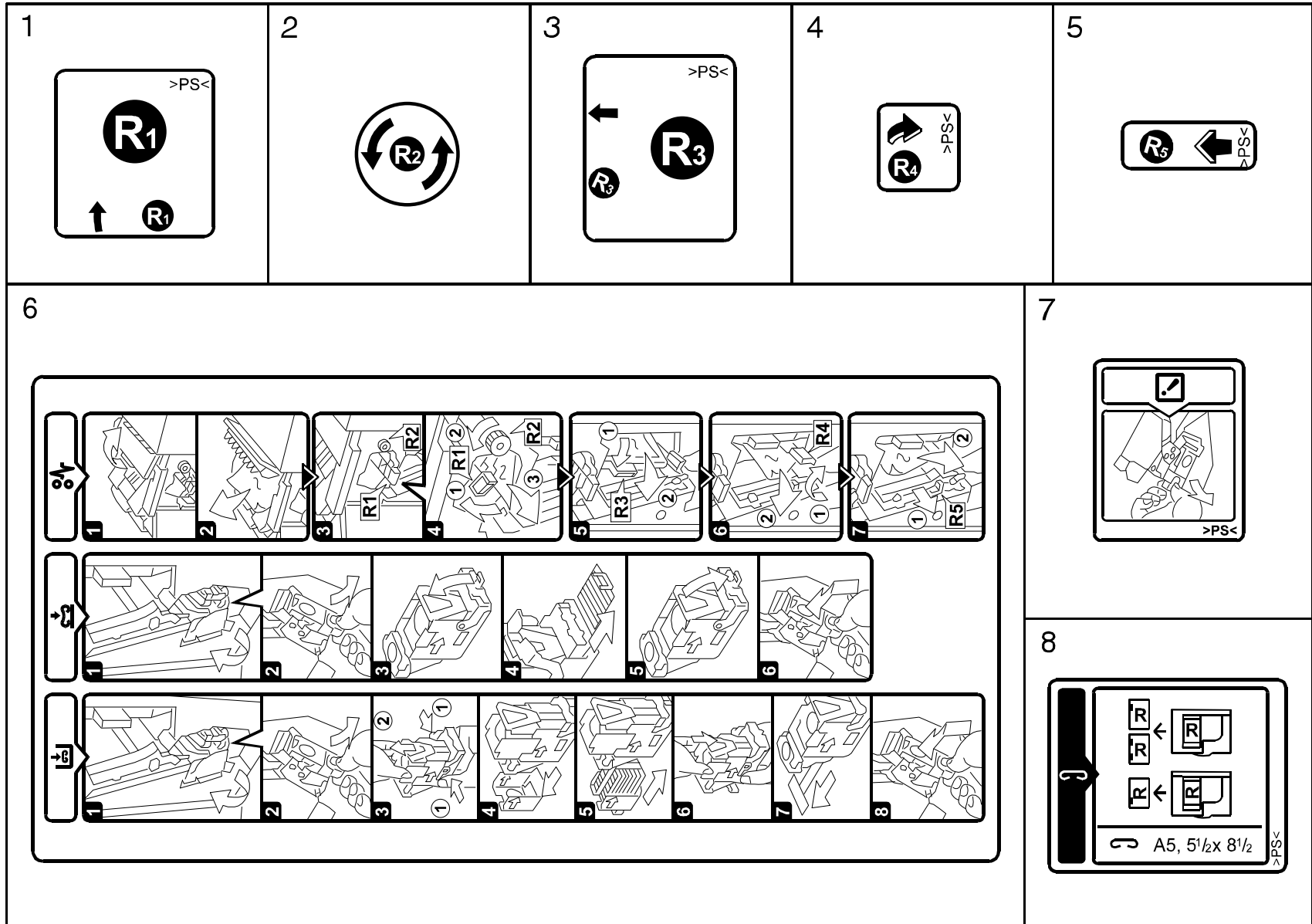


11.Electrical Section (B408)


Index No.	Part No.	Description	Q'ty Per Assembly
 1	B408 5281	Harness:Interface:EXP:Ass'y	1
2	B408 5217	Harness:Sensor:Main	1
3	B408 5237	Harness:Sensor:Tray:Lower	1
 4	B408 5161	ROM-Main Control	1
5	B408 5227	Harness:Sensor:Stapler Tray	1
 6	B408 5152	PCB:Main Control	1
 7	B408 5247	Harness:Motor:Main	1
8	B408 5532	Stepper Motor:Sub-Ass'y	1
9	B408 2321	Bracket - Motor Slide	1
10	AW02 0156	Photointerruptor:EE-SX4235A-P2	1
11	B408 2331	Link Drive Gear	1
12	B408 1121	Angle - Side Plate Rear	1
13	B408 5540	Main Board Bracket	4
14	B408 5545	Harness Bracket	5

Index No.	Part No.	Description	Q'ty Per Assembly
101	0454 3006Q	Tapping Screw:3x6	
102	0805 0089	Retaining Ring - M4	
103	0453 3006N	Tapping Screw - M3x6	
 104	1105 0623	Clamp - LBWS-0206S-V0	
105	1105 0310	Harness Clamp - LWS-1S	
106	0451 3006N	Tapping Screw - 3x6	

12.Decals And Documents (B408)



12.Decals And Documents (B408)

Index No.	Part No.	Description	Q'ty Per Assembly
1	B408 7102	Decal:Shift Tray:R1	1
2	B408 7112	Decal:Knob:R2	1
3	B408 7122	Decal:Stapler Tray:Lengthwise:R3	1
4	B408 7132	Decal:Stapler Tray:Exit:R4	1
5	B408 7142	Decal:Jogger Fence:R5	1
6	B408 7151	Decal - Misfeed Removal	1
7	B408 7161	Decal - Stapler	1
8	B408 7171	Decal - Staple	1
			

Index No.	Part No.	Description	Q'ty Per Assembly

Parts Index

Parts Index

Part No.	Description	Page and Index No.
B408 1121	Angle - Side Plate Rear	23 - 12
B408 1231	Angle - Front Side Plate	5 - 27
B408 1241	Guard - Side Plate Front	3 - 11
B408 1251	Film:Side Plate:Front	3 - 26
B408 1317	Caster:250N	3 - 7
B408 1390	Flat Screw:Groove Type	3 - 9
B408 1411	Coupling Lever	9 - 16
B408 1412	Flat Screw	9 - 17
B408 1413	Coupling Stay	9 - 14
B408 1414	Bracket - Coupling Rear	3 - 23
B408 1418	Mylar - Rear Joint Bracket	3 - 21
B408 1429	Ground Plate Bracket	3 - 8
B408 1431	Flat Screw:Coupling	3 - 22
B408 1441	Bracket:Coupling:Ground Plate:Rear:Ass'y	3 - 27
B408 1445	Bracket:Coupling:Ground Plate:Front:Ass'y	3 - 24
B408 1511	Middle Stay	19 - 5
B408 2011	Guide Plate:Lower:Open and Close:Small:Ass'y	13 - 16
B408 2117	Discharge Brush:Exit:Stapler Tray	13 - 12
B408 2122	Guide Plate - Lower	13 - 25
B408 2131	Upper Guide Plate	11 - 13
B408 2142	Guide Plate - Stapler Tray	11 - 6
B408 2152	Guide Plate - Entrance	5 - 13
B408 2158	Guide Plate:Entrance:Left	5 - 12
B408 2160	Guide Plate - Shift Ass'y	7 - 32
B408 2161	Guide Plate:Shift	7 - 23
B408 2162	Guide Mylar	7 - 22
B408 2172	Guide Plate - Shift	7 - 27
B408 2173	Slide Roller	7 - 29
B408 2174	Spring	7 - 28
B408 2175	Bushing - Roller Slide	7 - 25
B408 2184	Guide Plate:Exit:Stapler	9 - 12
B408 2191	Guide Plate - Connecting Lower	3 - 25
B408 2192	Guide Plate - Connecting Upper	3 - 20
B408 2211	Transfer Roller	5 - 7
B408 2211	Transfer Roller	11 - 12

Part No.	Description	Page and Index No.
B408 2221	Transfer Roller - Upper	5 - 5
B408 2232	Exit Roller:Proof Tray	5 - 6
B408 2241	Exit Roller	9 - 6
B408 2246	Reverse Roller Arm	9 - 4
B408 2251	Stapler Exit Roller	13 - 11
B408 2271	Pulley - T24	5 - 1
B408 2271	Pulley - T24	13 - 26
B408 2271	Pulley - T24	11 - 14
B408 2272	Pulley - T30	9 - 1
B408 2281	Knob - Transfer Roller	5 - 25
B408 2311	Slide Roller	7 - 21
B408 2312	Bushing - Roller Slide	7 - 19
B408 2313	Pulley - T24	7 - 2
B408 2314	Arm - Roller Slide	7 - 1
B408 2321	Bracket - Motor Slide	23 - 9
B408 2331	Link Drive Gear	23 - 11
B408 2411	Arm - Positioning Roller	13 - 5
B408 2421	Bracket - Positioning Roller	13 - 6
B408 2422	Pulley - T16	13 - 4
B408 2434	Timing Belt - 124P2M4	13 - 3
B408 2435	Gathering Roller:Ass'y	13 - 2
B408 2441	Shaft - Positioning Roller	13 - 10
B408 2444	Spring - Positioning Roller	13 - 7
B408 2451	DC Solenoid - 12.5W	13 - 8
B408 2512	Bracket - DC Solenoid	21 - 1
B408 2532	Lever - Paper Guide Upper	5 - 3
B408 2541	Gate Pawl:Lower	11 - 10
B408 2711	Top Cover	5 - 22
B408 2715	Discharge Brush	5 - 19
B408 2722	Spring - Upper Paper Guide	5 - 17
B408 2723	Upper Paer Guide	5 - 16
B408 2731	Arm - Top Cover	5 - 20
B408 2751	Ground Plate:Exit:Proof Tray	5 - 28
B408 2811	Guide Plate - Exit	7 - 18
B408 2813	Discharge Brush:Exit:Open and Close	7 - 16

Part No.	Description	Page and Index No.
B408 2821	Stay - Guide Plate	7 - 12
B408 2831	Gear - Z53	7 - 11
B408 2832	Worm Wheel - Z20	7 - 8
B408 2833	Shaft - Worm Wheel	7 - 7
B408 2841	Bracket - Home Position Sensor	7 - 6
B408 2852	Spring - Guide Plate Exit	7 - 17
B408 2861	Arm - Guide Plate	7 - 9
B408 2901	Timing Belt - B40S3M720	21 - 5
B408 2902	Timing Belt - B40S3M579	21 - 8
B408 2903	Timing Belt - B40S3M525	21 - 6
B408 2912	Bracket - Stepper Motor	21 - 4
B408 2922	Bracket - Stepper Motor	21 - 7
B408 2955	Bracket:Tightener:Ass'y	21 - 10
B408 3112	End Fence	19 - 7
B408 3211	Tray Base	19 - 4
B408 3221	Front Guide Plate	19 - 6
B408 3231	Rear Guide Plate	19 - 3
B408 3233	Tray H.P Sensor Feeler	19 - 1
B408 3311	Tray Shaft	19 - 10
B408 3411	Tray	3 - 5
B408 3412	Slide Tray	3 - 3
B408 3611	Stay - Paper Sensor	9 - 10
B408 3612	Paper Sensor Feeler	9 - 11
B408 3613	Lever - Micro Switch	9 - 9
B408 4101	Stapler Ass'y	17 - 25
B408 4111	Stapler Base	17 - 19
B408 4112	Stapler Guide	17 - 21
B408 4113	Stapler Knob	17 - 18
B408 4114	Stapler Stopper	17 - 16
B408 4115	Stapler Upper Mylar	17 - 24
B408 4121	Stapler Slider	17 - 12
B408 4125	Stapler Bushing	17 - 10
B408 4126	Timing Belt Stay	17 - 11
B408 4127	Stay Slider	17 - 13
B408 4128	Spring	17 - 14

Part No.	Description	Page and Index No.
B408 4211	Stapler Stay	17 - 1
B408 4212	Stapler Guide Rod	17 - 3
B408 4223	Belt Tensioner - Stapler	17 - 4
B408 4231	Timing Belt - 846P2M4	17 - 8
B408 4311	Stapler Tray	15 - 22
B408 4321	Stay - Stapler Tray	15 - 8
B408 4332	Bracket - Jogger Motor	15 - 11
B408 4335	Timing Pulley - Jogger	15 - 35
B408 4336	Timing Belt - 940P2M4	15 - 3
B408 4337	Spring	15 - 10
B408 4342	Trailing Edge Fence	15 - 15
B408 4343	Slider Fence Shaft	15 - 13
B408 4344	Guide:Standard Fence:Front	15 - 36
B408 4347	Guide:Standard Fence:Inner Back	15 - 37
B408 4362	Jogger Fence - Front	15 - 29
B408 4363	Slider - Jogger Fence	15 - 28
B408 4364	Film - Jogger Fence	15 - 33
B408 4366	Jogger Fence - Inner	15 - 34
B408 4367	Shaft - Jogger Fence	15 - 31
B408 4371	Timing Belt - 246P3M4	15 - 21
B408 4372	Exit Belt Ass'y	15 - 26
B408 4382	Pulley - T26	15 - 20
B408 4383	Shaft - Idler Exit Belt	15 - 25
B408 4385	Shaft - Exit Belt	15 - 19
B408 4392	Exit Tension Bracket	15 - 5
B408 4395	Pulley - Exit Belt	15 - 7
B408 4398	Tension Spring	15 - 6
B408 5152	PCB:Main Control	23 - 6
B408 5161	ROM-Main Control	23 - 4
B408 5217	Harness:Sensor:Main	23 - 2
B408 5227	Harness:Sensor:Stapler Tray	23 - 5
B408 5227	Harness:Sensor:Stapler Tray	17 - 2
B408 5237	Harness:Sensor:Tray:Lower	23 - 3
B408 5247	Harness:Motor:Main	23 - 7
B408 5255	Harness:Stapler MB3	17 - 20

Part No.	Description	Page and Index No.
B408 5281	Harness:Interface:EXP:Ass'y	23 - 1
B408 5307	Harness:Connecting:Paper Senser	9 - 7
B408 5315	Harness - Connecting	5 - 8
B408 5325	Harness:Connecting:575MM	15 - 24
B408 5325	Harness:Connecting:575mm	19 - 14
B408 5335	Harness:Connecting:Stapler Tray	15 - 1
B408 5345	Harness:Connecting:325MM	7 - 31
B408 5355	Sensor Relay Harness - 280mm	13 - 24
B408 5355	Sensor Relay Harness - 280mm	7 - 4
B408 5532	Stepper Motor:Sub-Ass'y	23 - 8
B408 5540	Main Board Bracket	23 - 13
B408 5545	Harness Bracket	23 - 14
B408 5610	Stepper Motor:MM42:S3M:T11:Ass'y	21 - 3
B408 5620	Stepper Motor:MM42:S3M:T15:Ass'y	15 - 18
B408 5630	Stepper Motor:Ass'y	17 - 23
B408 6111	Upper Cover	3 - 19
B408 6121	Front Cover	3 - 14
B408 6122	Hinge - Door Upper	3 - 17
B408 6124	Hinge - Door Lower	3 - 12
B408 6131	Left Inner Cover	3 - 10
B408 6142	Cover:Rear	3 - 1
B408 6151	Left Upper Cover	3 - 2
B408 6161	Left Lower Cover	3 - 6
B408 6172	Cover:Right Lower	3 - 16
B408 7102	Decal - Shift Tray R1 MB1	7 - 30
B408 7102	Decal:Shift Tray:R1	25 - 1
B408 7112	Decal - Knob R2	5 - 26
B408 7112	Decal:Knob:R2	25 - 2
B408 7122	Decal - Stapler Tray R3	11 - 3
B408 7122	Decal:Stapler Tray:Lengthwise:R3	25 - 3
B408 7132	Decal - Stapler Tray Exit R4	13 - 14
B408 7132	Decal:Stapler Tray:Exit:R4	25 - 4
B408 7142	Decal - Jogger Fence R5 MB1	15 - 30
B408 7142	Decal:Jogger Fence:R5	25 - 5
B408 7151	Decal - Misfeed Removal	25 - 6

Part No.	Description	Page and Index No.
B408 7151	Decal - Misfeed Removal	3 - 13
B408 7161	Decal - Stapler	25 - 7
B408 7161	Decal - Stapler	17 - 17
B408 7171	Decal - Staple	3 - 18
B408 7171	Decal - Staple	25 - 8

Part No.	Description	Page and Index No.
A498 4625	Arm Cushion	13 - 9
A548 1317	Lever Cushion	5 - 15
A548 1317	Lever Cushion	11 - 11
A548 2139	Pulley	21 - 11
A666 2331	Rack	19 - 2
A666 2345	Gear - Z20	19 - 8
A666 3180	Timing Pulley - Z32	15 - 17
A666 4210	Shaft - Exit Roller	7 - 15
A681 2722	Guide Mylar - Lower Exit Guide	9 - 13
A681 2742	Driven Exit Roller	7 - 14
A681 4515	Bushing - 6mm	15 - 32
A688 3960	Roller Holder	5 - 24
A697 2144	Pressure Spring	7 - 26
A697 2144	Pressure Spring	13 - 17
A697 2144	Pressure Spring	11 - 7
A697 4170	Pulley - 32T	15 - 4
A697 4170	Pulley - 32T	17 - 7
A859 3420	Middle Driven Roller	5 - 11
A859 3420	Middle Driven Roller	11 - 5
A859 3425	Spring Plate	5 - 10
A859 3425	Spring Plate	11 - 4
B352 2204	Driven Roller	13 - 19
B352 2205	Bushing - Driven Roller	13 - 18
B352 2206	Tension Spring - Lower Guide	13 - 13
B352 2222	Paper Guide - Trailing Edge	13 - 21
B352 2229	Roller - Paper Guide	13 - 20
B352 2232	Torsion Spring	13 - 22
B352 2407	Reverse Roller - 20z	9 - 3
B352 2409	Idler Gear - 17z	9 - 5
B352 4232	Slider - Training Edge Fence	15 - 14
B352 4380	Stapler - EH530	17 - 22
B545 5809	DC Solenoid:Polarization Powl	21 - 2
B700 2113	Guide:Trailing Edge	13 - 15
B700 4107	Spring:Rerurn:Standard Fence	15 - 16
B714 3115	Knob Screw:Document Feeder:Fix	3 - 4

Part No.	Description	Page and Index No.
G020 5626	Push Switch	5 - 4
G838 2347	Gear:Z45	19 - 11

Part No.	Description	Page and Index No.
AA06 2333	Tension Spring:2.16N	21 - 9
AA06 2334	Tension Spring:4.9N	21 - 13
AA06 2334	Tension Spring:4.9N	17 - 5
AA08 0237	Bushing - 4x5x7	11 - 8
AA08 2070	Bushing - 8x16x7	19 - 9
AA08 2101	Bushing - 6x10x6	11 - 1
AA08 2101	Bushing - 6x10x6	9 - 2
AA08 2101	Bushing - 6x10x6	13 - 1
AA08 2101	Bushing - 6x10x6	7 - 3
AA08 2101	Bushing - 6x10x6	5 - 2
AA14 3790	Screw:Contact Point	17 - 6
AA14 3790	Screw:Contact Point	21 - 12
AA14 3790	Screw:Contact Point	9 - 15
AA14 3790	Screw:Contact Point	15 - 12
AA14 3823	Tapping Screw	17 - 15
AB03 0354	Pulley - 20T	21 - 14
AF02 2097	Driven Roller	11 - 9
AF04 0558	Driven Roller	5 - 23
AG07 0512	Magnetic Catch:Ass'y	3 - 15
AG07 0514	Magnet Catch:Ass'y	7 - 24
AG07 0514	Magnet Catch:Ass'y	5 - 18
AG07 0514	Magnet Catch:Ass'y	11 - 2
AW01 0109	Photo Reflection Sensor:PS117ED1	7 - 20
AW01 0109	Photo Reflection Sensor:PS117ED1	15 - 27
AW02 0156	Photointerruptor:EE-SX4235A-P2	7 - 5
AW02 0156	Photointerruptor:EE-SX4235A-P2	17 - 9
AW02 0156	Photointerruptor:EE-SX4235A-P2	23 - 10
AW02 0156	Photointerruptor:EE-SX4235A-P2	9 - 8
AW02 0156	Photointerruptor:EE-SX4235A-P2	15 - 23
AW02 0166	Photointerruptor:Paper Feed Sensor	19 - 12
AW02 0166	Photointerruptor:Paper Feed Sensor	15 - 2
AW02 0169	Photointerruptor - OS - 580213-703	5 - 14
AW02 0169	Photointerruptor - OS - 580213-703	13 - 23
AW02 0170	Photointerruptor:Overflow:CT	5 - 9
AX04 0238	DC Motor:Tray:Upper Lower:Drive	19 - 13

Part No.	Description	Page and Index No.
AX05 0244	Stepper Motor:MM42:0.85A	7 - 13
AX05 0244	Stepper Motor:MM42:0.85A	15 - 9

Part No.	Description	Page and Index No.
0353 0040N	Screw - M3x4	21 - 103
0353 0040N	Screw - M3x4	13 - 106
0450 3008N	Tapping Screw - M3x8	15 - 103
0450 4020N	Tapping Screw - M4x20	19 - 103
0451 3006N	Tapping Screw - 3x6	9 - 107
0451 3006N	Tapping Screw - 3x6	21 - 102
0451 3006N	Tapping Screw - 3x6	19 - 108
0451 3006N	Tapping Screw - 3x6	17 - 102
0451 3006N	Tapping Screw - 3x6	15 - 102
0451 3006N	Tapping Screw - 3x6	13 - 107
0451 3006N	Tapping Screw - 3x6	23 - 106
0451 3006N	Tapping Screw - 3x6	7 - 104
0451 3006N	Tapping Screw - 3x6	3 - 103
0451 3008N	Tapping Screw - M3x8	3 - 102
0451 3008N	Tapping Screw - M3x8	15 - 109
0451 3010N	Tapping Screw:3x10	19 - 107
0451 3010N	Tapping Screw:3x10	15 - 101
0452 3006N	Binding Self-Tapping Screw:3x6	17 - 105
0452 3008N	Tapping Screw - M3x8	9 - 104
0452 3020N	Tapping Screw - 3x20	9 - 103
0453 3006N	Tapping Screw - M3x6	23 - 103
0453 3006N	Tapping Screw - M3x6	19 - 102
0453 3006N	Tapping Screw - M3x6	7 - 106
0453 3006N	Tapping Screw - M3x6	15 - 107
0454 3006Q	Tapping Screw:3x6	23 - 101
0454 3006Q	Tapping Screw:3x6	21 - 101
0454 3006Q	Tapping Screw:3x6	5 - 101
0454 3006Q	Tapping Screw:3x6	19 - 101
0454 3006Q	Tapping Screw:3x6	7 - 101
0454 3006Q	Tapping Screw:3x6	3 - 101
0454 3006Q	Tapping Screw:3x6	9 - 101
0454 3006Q	Tapping Screw:3x6	11 - 101
0454 3006Q	Tapping Screw:3x6	13 - 101
0720 0040E	Retaining Ring - M4	21 - 104
0720 0040E	Retaining Ring - M4	11 - 102

Part No.	Description	Page and Index No.
0720 0040E	Retaining Ring - M4	15 - 104
0720 0040E	Retaining Ring - M4	7 - 103
0720 0040E	Retaining Ring - M4	13 - 103
0720 0040E	Retaining Ring - M4	17 - 103
0720 0060E	Retaining Ring - M6	19 - 104
0805 0089	Retaining Ring - M4	5 - 102
0805 0089	Retaining Ring - M4	11 - 103
0805 0089	Retaining Ring - M4	9 - 102
0805 0089	Retaining Ring - M4	13 - 102
0805 0089	Retaining Ring - M4	23 - 102
0805 0089	Retaining Ring - M4	7 - 102
0805 3385	Bushing - 6mm	15 - 108
1105 0310	Harness Clamp - LWS-1S	17 - 107
1105 0310	Harness Clamp - LWS-1S	15 - 105
1105 0310	Harness Clamp - LWS-1S	23 - 105
1105 0310	Harness Clamp - LWS-1S	19 - 106
1105 0328	Harness Clamp - ES-0505	17 - 104
1105 0328	Harness Clamp - ES-0505	13 - 105
1105 0334	Edge - 17	17 - 108
1105 0522	Edge Saddle - LES0510	5 - 104
1105 0623	Clamp - LBWS-0206S-V0	19 - 105
1105 0623	Clamp - LBWS-0206S-V0	11 - 105
1105 0623	Clamp - LBWS-0206S-V0	17 - 106
1105 0623	Clamp - LBWS-0206S-V0	9 - 105
1105 0623	Clamp - LBWS-0206S-V0	5 - 103
1105 0623	Clamp - LBWS-0206S-V0	15 - 106
1105 0623	Clamp - LBWS-0206S-V0	23 - 104
1105 0623	Clamp - LBWS-0206S-V0	13 - 104
1105 0623	Clamp - LBWS-0206S-V0	7 - 105
1204 2540	Micro Switch - AM50650C3	9 - 106
1204 2541	Interlock Switch	11 - 104
1607 0622	Ferrite Core - TFC16816	17 - 101

Part No.	Description	Page and Index No.
5447 2681	Snap Ring	5 - 21
5447 2681	Snap Ring	7 - 10

Part No.	Description	Page and Index No.